

PROVOX[®] Vega[™]

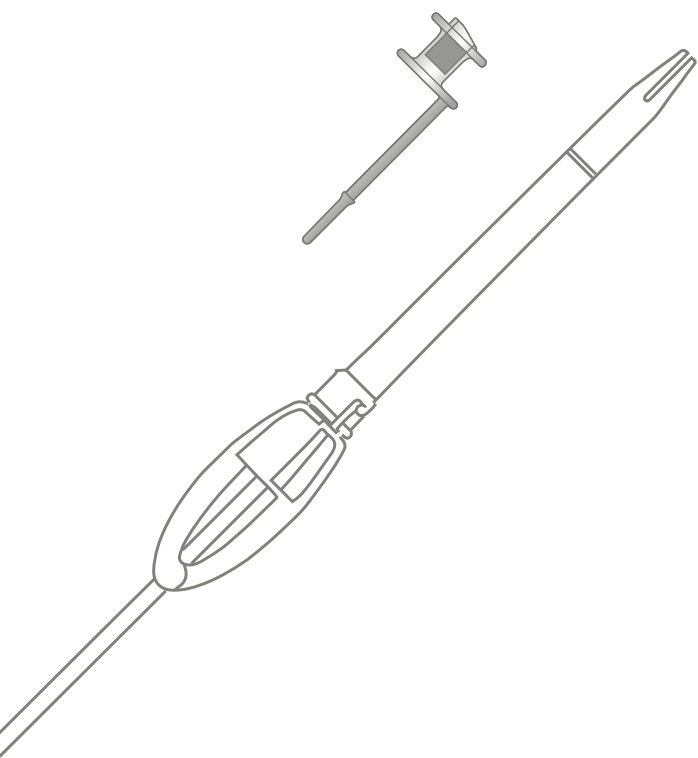
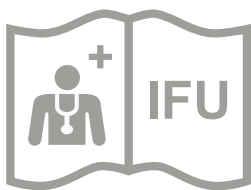
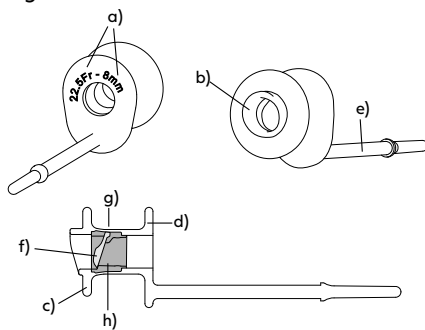
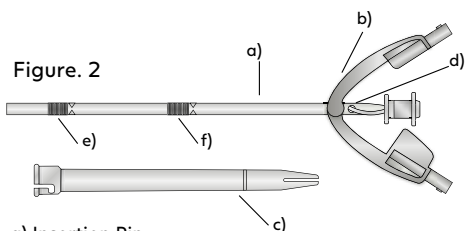


Figure. 1



- a) Size information
- b) Prosthesis Hood
- c) Esophageal Flange
- d) Tracheal Flange
- e) Safety Strap
- f) Valve Flap
- g) Prosthesis Shaft
- h) Radio-opaque fluoroplastic Valve Seat

Figure. 2



- a) Insertion Pin
- b) Folding Tool
- c) Loading Tube
- d) Attachment Slot
- e) Distal grip surface
- f) Proximal grip surface

2.2 Preparation

Figure. 3

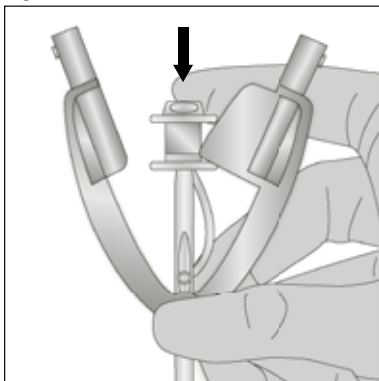


Figure. 4

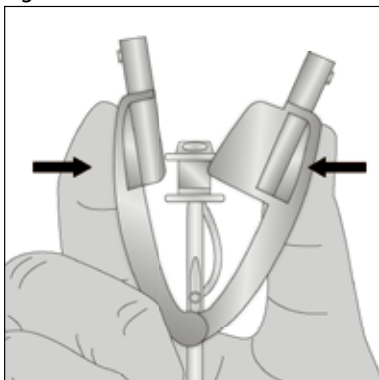
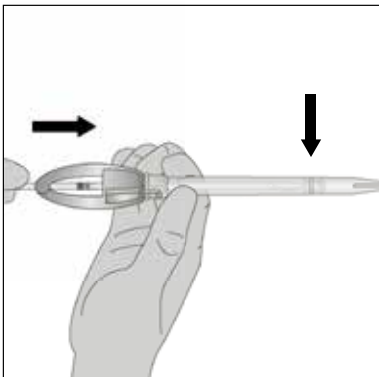


Figure. 5

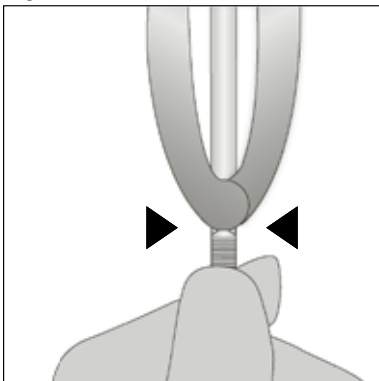


Figure. 6



2.3.1 Method 1 System Insertion

Figure. 7



2.3.2 Method 2 Tube Insertion

Figure. 8

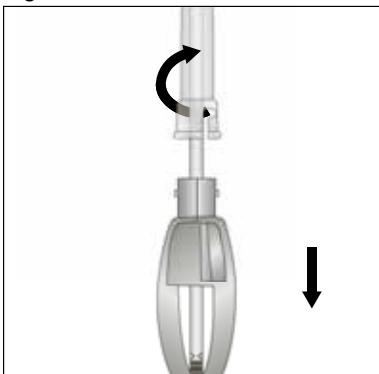
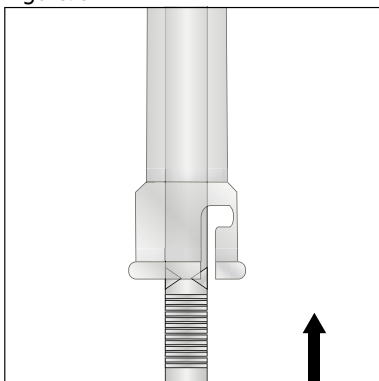


Figure. 9



2.3.3 Method 3 Overshoot Insertion

Figure. 10

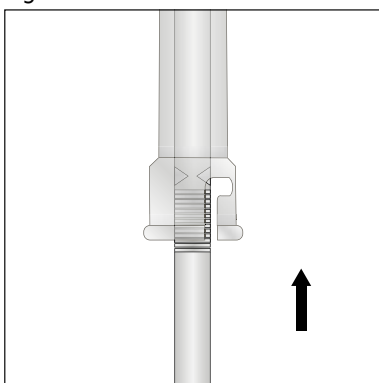


Figure. 11

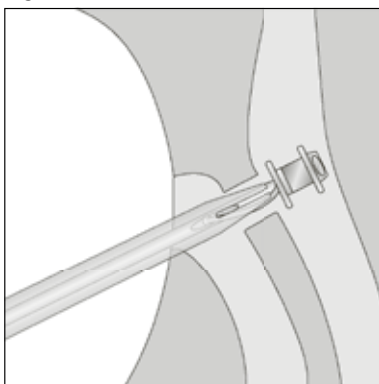
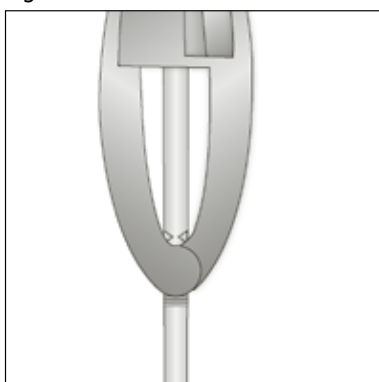


Figure. 12



2.3.4 Method 4 Capsule Insertion

Figure. 13

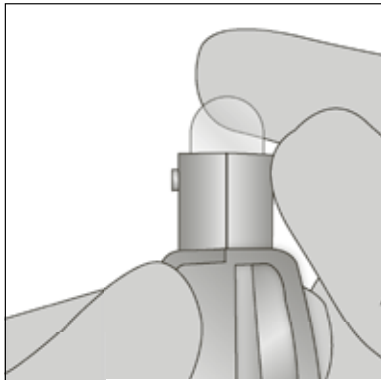


Figure. 14

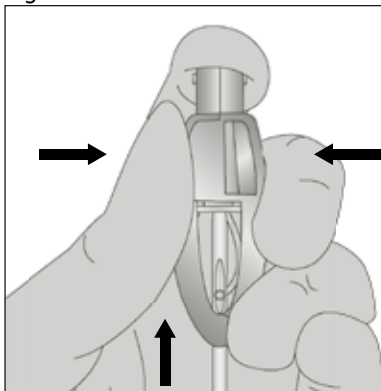
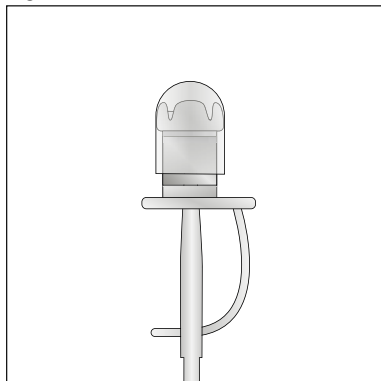
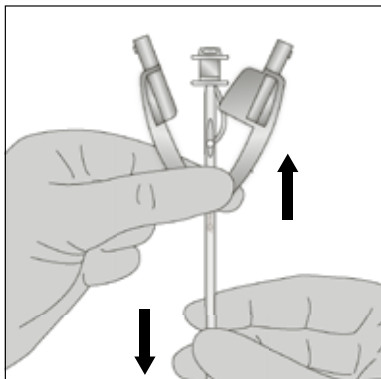


Figure. 15



2.4 Assembly and reloading

Figure. 16



2.5 Finalization

Figure. 17

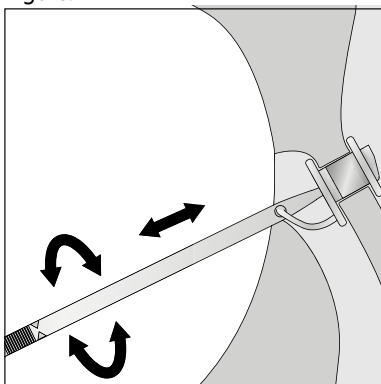


Figure. 18

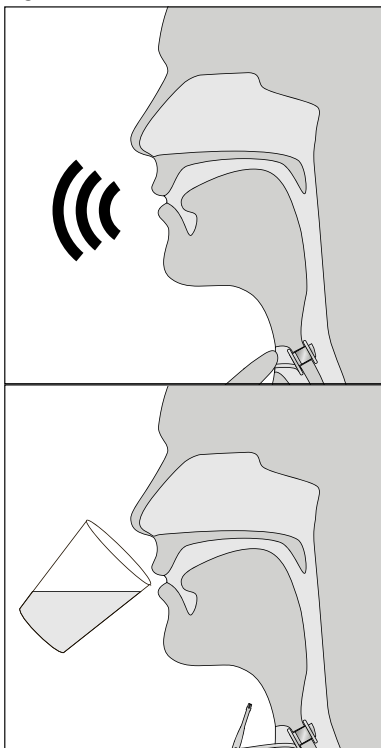
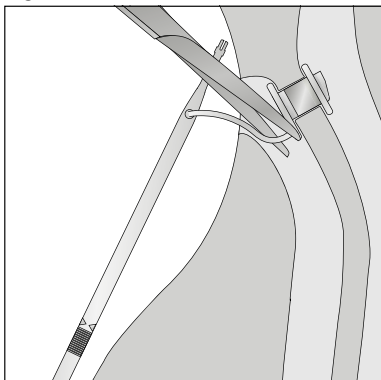


Figure. 19



Prescription information

CAUTION: United States Federal law restricts this device to sale, distribution and use by or on order of a physician or a licensed practitioner. The availability of this product without prescription outside the United States may vary from country to country.

Disclaimer

Atos Medical offers no warranty - neither expressed nor implied - to the purchaser hereunder as to the lifetime of the product delivered, which may vary with individual use and biological conditions. Furthermore, Atos Medical offers no warranty of merchantability or fitness of the product for any particular purpose.

Patents and Trademarks

Provox® is a registered trademark owned by Atos Medical AB, Sweden.

Provox® Vega™ is a trademark of Atos Medical AB. For information about protective rights (e.g. patents), please refer to the webpage www.atosmedical.com/patents.

Contents

EN - ENGLISH.....	9
FR - FRANÇAIS.....	13
ES - ESPAÑOL.....	18
PT - PORTUGUÊS.....	23
IS - ÍSLENSKA.....	27
ET - EESTI.....	32
LT - LIETUVIŲ KALBA.....	36
CS - ČESKY.....	40
HU - MAGYAR.....	45
SK - SLOVENČINA.....	49
SL - SLOVENŠČINA.....	54
PL - POLSKI.....	59
RO - ROMÂNĂ.....	64
HR - HRVATSKI.....	68
SR - SRPSKI.....	73
EL - ΕΛΛΗΝΙΚΑ.....	77
TR - TÜRKÇE.....	83
KA - ქართული.....	87
HY - ՀԱՅԵՐԵՆ.....	93
AZ - AZƏRBAYCAN DİLİ.....	98
RU - РУССКИЙ.....	103
ID - BAHASA INDONESIA.....	108
MS - BAHASA MELAYU.....	113
JA - 日本語.....	117
KO - 한국어.....	122
ZHTW - 繁體中文.....	126
HE - עברית.....	134
AR - العربية.....	138

Provox® Vega™**1. Descriptive information****1.1 Intended use**

The Provox Vega Voice Prosthesis is a sterile single use indwelling voice prosthesis intended for voice rehabilitation after surgical removal of the larynx (laryngectomy). Cleaning of the voice prosthesis is performed by the patient while it remains in situ.

The Provox Insertion System is a sterile single use device intended for anterograde replacement of the Provox Vega Voice Prosthesis. This replacement procedure is carried out by a medical doctor or a trained medical professional in accordance with local or national guidelines.

The Provox Insertion System is not intended to be used for insertion of a voice prosthesis in a freshly made puncture.

1.2 Description of the device**General**

The Provox Vega is a one-way valve (prosthesis) that keeps a TE-puncture open for speech, while reducing the risk of fluids and food entering the trachea. The Provox Vega voice prosthesis is not a permanent implant, and needs periodic replacement. The prosthesis (Fig. 1) is available in different diameters and several lengths. The device is made of medical grade silicone rubber and fluoroplastic.

Provox Vega package

The Provox Vega package contains the following items:

- 1 Provox Vega voice prosthesis pre-assembled in a single-use Insertion System, sterile (Fig. 2)
- 1 Provox Brush of a size corresponding to the voice prosthesis, non-sterile
- 1 Provox Vega Clinician's manual
- 1 Provox Vega Patient's manual
- 1 Provox Brush Instructions for Use

1.3 CONTRAINDICATIONS

There are no known contraindications for use or replacement of the Provox Vega voice prosthesis among patients already using prosthetic voice rehabilitation.

1.4 WARNINGS

- **Dislodgement or extrusion of the Provox Vega voice prosthesis** from the TE puncture and subsequent ingestion, aspiration or tissue damage may occur. A foreign body in the airway may cause severe complications such as acute respiratory distress and/or respiratory arrest.
- **Select the proper prosthesis size.** A tight fit may cause tissue necrosis and extrusion.
- **Instruct the patient to consult a physician** immediately if there are any signs of tissue edema and/or inflammation/infection.
- **Instruct the patient to consult a physician** if leakage through or around the voice prosthesis occurs. Leakage may cause aspiration pneumonia.
- **If used, choose laryngectomy tubes or stoma buttons** with a suitable shape that do not exert pressure on the prosthesis or catch onto the tracheal flange of the prosthesis during insertion and removal of the laryngectomy tube or stoma button. This may lead to severe tissue damage and/or accidental ingestion of the prosthesis.
- **Instruct the patient to use only genuine Provox accessories** of corresponding size (Brush, Flush, Plug) for maintenance and to avoid all other kinds of manipulation.
- **Re-use and re-processing** may cause cross-contamination and damage to the device, which could cause patient harm.

1.5 PRECAUTIONS.

- Carefully assess any patient with bleeding disorders or who is undergoing anticoagulant treatment for the risk of bleeding or hemorrhage prior to placement or replacement of the prosthesis
- Inspect the package before use. If the package is damaged or opened, do not use the product.
- Always use aseptic technique when handling the prosthesis in order to reduce infection risk.

2. Instructions for use**2.1 Choose size of the Voice prosthesis****Choosing the right shaft diameter and length of the replacement prosthesis**

Be sure to use a Provox Vega voice prosthesis of the proper shaft diameter and length. Provox Vega is available in different shaft diameters and in several lengths.

Selecting shaft diameter

The Clinician should determine the proper diameter of the prosthesis appropriate for the patient.

If the selected diameter is larger than the previous prosthesis the tract must be dilated, using the Provox Dilator, appropriate to the diameter of the prosthesis being inserted.

If a prosthesis with a smaller shaft diameter is inserted, observe and ensure that the puncture shrinks to the appropriate diameter.

- **Selecting shaft length**

To select the correct length, you may use the current prosthesis as its own measuring device.

If there is too much (i.e. 3 mm /~0.12 inches, or more) space between the Tracheal Flange of the old prosthesis and the mucosal wall, a shorter prosthesis should be used. If the prosthesis sits too tight, a longer prosthesis should be used.

2.2 Preparation

(Fig. 3-6)

Position voice prosthesis

1. Ensure the Voice Prosthesis is properly positioned on the Insertion Pin, firmly attached, and with the tip of the pin positioned all the way into the blue ring of the voice prosthesis (Fig. 3).

Fold the esophageal flange

2. Verify that the Insertion Pin is correctly positioned with the Folding Tool (The Pin shall be snapped into the Folding Tool).
3. Squeeze the Folding Tool together with two fingers (Fig. 4)
4. Attach the Loading Tube while keeping the Folding Tool closed and twist the Loading Tube until it locks in place (Fig. 5).
(N/A for Capsule Insertion)

Load

5. Push the Insertion Pin forward until the voice prosthesis is aligned with the visible ring on the Loading Tube (Fig. 6). (N/A for Capsule Insertion)

Remove the old voice prosthesis

6. Remove the current (old) prosthesis from the TE-puncture by pulling it out with a non-toothed hemostat. Alternatively, at the clinician's discretion, the tracheal flange of the prosthesis can be grasped with forceps and cut off. The rest of the prosthesis is then pushed into the esophagus for passage through the intestinal tract. The patient's history of any intestinal diseases should be taken into account before using this method.

Prepare the puncture (optional)

7. The puncture may be dilated to prepare for the insertion of the voice prosthesis. This is usually not necessary but may facilitate insertion in patients with angled or tight punctures that easily collapse.

2.3 Insertion, Anterograde replacement procedure

Four methods can be used to insert a Provox Vega voice prosthesis with the Provox Insertion System. The choice of method is at the clinician's discretion.

- 2.3.1 System Insertion: The entire insertion system is used.
- 2.3.2 Tube Insertion: The folding Tool is removed before insertion.
- 2.3.3 Overshoot Insertion: The entire voice prosthesis is deployed in the esophagus and then retracted to the intended position.
- 2.3.4 Capsule Insertion: The voice prosthesis is placed into a Provox Capsule before insertion.

2.3.1 Method 1: System Insertion

1. Enter the TE-puncture

Hold the Provox Insertion System by the Loading Tube. Enter the puncture with the Loading Tube Tip. Proceed with care if you encounter resistance. If there is resistance, dilatation and/or lubrication can ease the insertion.

2. Insert the voice prosthesis

Hold the Loading Tube stable with one hand and push the Insertion Pin with the other hand until the arrows at the Distal grip surface are flush with the bottom edge of the Folding Tool (Fig. 7). At this point, the esophageal flange of the voice prosthesis is entirely unfolded in the esophagus.

3. Release the voice prosthesis

Pull the Loading Tube and Folding Tool together straight out from the puncture. The voice prosthesis remains in the puncture; still firmly attached to the Insertion Pin.

4. Finalize the procedure

After insertion, finalize the procedure as described below in section 2.5.

2.3.2 Method 2: Tube Insertion

To enhance visibility, the Folding Tool can be removed once the prosthesis has been pushed into the Loading Tube.

Note: It is important to always use the Provox Insertion System with Folding Tool attached when loading the prosthesis to ensure proper folding of the esophageal flange.

1. Remove the Folding Tool

Remove the Folding Tool by unlocking and disconnecting it from the Loading Tube (Fig. 8).

2. Enter the TE-puncture

Hold the Provox Insertion System by the Loading Tube. Enter the puncture with the Loading Tube Tip. Proceed with care if you encounter resistance. If there is resistance, dilatation and/or lubrication can ease the insertion.

3. **Insert the voice prosthesis**

Push the Insertion Pin with the other hand until the arrows at the Proximal grip surface are flush with the Loading Tube (Fig. 9). At this point, the esophageal flange of the voice prosthesis is entirely unfolded in the esophagus.

4. **Release the voice prosthesis**

Hold the Loading Tube with one hand and the Insertion Pin with the other hand. Pull both the Loading Tube and the Insertion Pin back until you feel the esophageal flange has reached the anterior esophageal wall. Then, let go of the Insertion Pin and pull the Loading Tube straight out from the puncture. This will release the tracheal flange.

Note: If the tracheal flange unfolds inside the esophagus or puncture (unintentional overshooting), grasp the tracheal flange with a non-toothed hemostat and pull/rotate the voice prosthesis into place.

5. **Finalize the procedure**

After insertion, finalize the procedure as described below in section 2.5

2.3.3 Method 3: Overshoot Insertion

Overshooting of the Provox Vega voice prosthesis is occasionally performed to ensure complete development of the esophageal flange in difficult TE punctures.

1. **Remove the Folding Tool (Optional)**

After the prosthesis has been pushed into the Loading Tube, remove the Folding Tool by unlocking and disconnecting it from the Loading Tube (Fig. 8).

2. **Enter the TE-puncture**

Hold the Provox Insertion System by the Loading Tube. Enter the puncture with the Loading Tube Tip. Proceed with care if you encounter resistance. If there is resistance, dilatation and/or lubrication can ease the insertion.

3. **Insert the voice prosthesis**

Hold the Loading Tube stable with one hand and push the Insertion Pin with the other hand until beyond the Proximal grip surface (Fig. 10). At this point the voice prosthesis is fully deployed in the esophagus (Fig.11).

If overshoot insertion is performed with the Folding Tool kept assembled, push the Insertion Pin beyond the Distal grip surface. At this point the voice prosthesis is fully deployed in the esophagus (Fig. 12).

4. **Release the voice prosthesis**

Pull the Loading Tube straight out from the puncture. The prosthesis remains in the esophagus; still firmly attached to the Insertion Pin. Grasp the tracheal flange with a non-toothed hemostat and pull/rotate the voice prosthesis into place.

5. **Finalize the procedure**

After insertion, finalize the procedure as described below in section 2.5

2.3.4 Method 4: Capsule Insertion

Intended use

The Provox Capsule is a single use accessory for anterograde insertion of a standard voice prosthesis by a clinician into the tracheoesophageal puncture of a laryngectomized patient.

Description of the device

Provox Capsules are made of a water soluble material of plant origin, and sizes are available to fit three different diameters of voice prostheses, 17, 20 and 22.5 Fr.

WARNINGS

- Always ensure that the voice prosthesis is folded correctly and that it is properly inserted into the Provox Capsule before insertion. If the Provox Capsule comes off prematurely it could be aspirated. Note that lubricants can compromise the attachment of the Capsule.
- Do not use Provox Capsule if suspicion of contamination exists.
- Do not use Provox Capsules if the package or capsules appear damaged.
- Ensure that the voice prosthesis is functional after insertion into TE-puncture. Always follow the safety precautions specified in the instruction for use of the voice prosthesis after insertion.

PRECAUTIONS

- Do not use sharp items to insert the esophageal flange into Provox Capsule since this may damage the voice prosthesis.
- Only use a Provox Capsule of the same size or one size larger than the diameter of the voice prosthesis.

The Folding Tool of Provox Insertion System can be used for folding the esophageal flange of a standard Provox Vega voice prosthesis into a Provox Capsule*. In this procedure the Loading Tube is not used.

1. **Insert the prosthesis into Provox Capsule**

Discard the long part of the Provox Capsule and use the short part for insertion. Squeeze the Folding Tool together with two fingers and place the capsule in the opening of the Folding Tool (Fig. 13). Keep the Folding Tool together, while holding the capsule down with the index finger (Fig. 14). Alternatively use Provox TwistLock to keep the Folding Tool together. Push the Insertion Pin firmly forward; this will load the esophageal flange of the voice prosthesis into the capsule.

2. **Check proper loading**

The voice prosthesis is now loaded into Provox Capsule, and the Folding Tool can be removed from the Insertion Pin. Confirm that the esophageal flange is inside the capsule (Fig. 15). If the voice prosthesis is not properly folded, the loading process should be repeated with a new Provox Capsule. Make sure that the strap of the voice prosthesis is secured to the inserter pin intended for inserting the prosthesis into the puncture.

- ##### 3. **Remove the old voice prosthesis and prepare the TE puncture** (see Section 2.2 points 6 and 7).

4. **Insert Provox Capsule into the puncture.**

Hold the voice prosthesis in a fully inserted position until Provox Capsule has dissolved and the esophageal flange has completed unfolded. Slightly tug on the strap of the voice prosthesis to ensure it is in the proper position.

5. **Release the voice prosthesis**

Remove the inserter pin from the voice prosthesis. The voice prosthesis remains in the puncture.

6. **Finalize the procedure**

After insertion, finalize the procedure as described below in section 2.5.

* Not available in all countries.

2.4 Assembly and reloading the Provox Insertion System

If the first attempt to insert the Provox Vega into the TE-puncture was unsuccessful, it is possible to reload the voice prosthesis into the Provox Insertion System.

Position voice prosthesis

1. Mount the voice prosthesis with the tracheal side facing down on top of the Insertion Pin.
2. Attach the Safety Strap by leading it through the Attachment Slot from either side.
3. Ensure the Voice Prosthesis is properly positioned on the Insertion Pin, firmly attached and with the tip of the pin positioned all the way into the blue ring of the voice prosthesis (Fig. 3).

Connect the Folding Tool

4. Guide the Insertion Pin through the opening in the Folding Tool until it clicks in place. Pull the pin until the pin is snapped into the Folding Tool (Fig. 16). The Provox Insertion System is now ready for preparation. Continue the preparation as described above in section 2.2.

CAUTION: Do not reload more than twice. If the Provox Vega voice prosthesis shows any signs of damage, do not use the voice prosthesis.

2.5 Finalize the procedure

After insertion:

Ensure proper fit

1. Ensure the proper position of the voice prosthesis by rotating and gently pulling the Insertion Pin (Fig. 17). The prosthesis is in an ideal position when the Safety Strap is pointing downwards.

Test proper function

2. Brush the Provox Vega with the Provox Brush. Test proper function of the prosthesis by asking the patient to speak and by observing that the prosthesis does not leak while the patient drinks water (Fig. 18).

Cut the Safety Strap

3. After ensuring the voice prosthesis is placed correctly, cut off the Safety Strap so that it is flush with the Tracheal Flange (Fig. 19). The Provox Vega voice prosthesis is now ready for use.

2.6 Disposal

Always follow medical practice and national requirements regarding biohazards when disposing of a used medical device.

3. Important patient information

3.1 General information

Ensure that the patient understands to contact their clinician if:

- There is leakage through or around the prosthesis (coughing and/or change of mucus color).
- Speaking becomes difficult (higher effort and/or voice sounds more strained).
- There are any signs of inflammation or tissue changes at the puncture site or the stoma region (pain, redness, heat, swelling, traces of blood on the brush after brushing).

Also inform the patient that:

- After a prosthesis replacement traces of blood may be found in the sputum. This may come from granulation tissue on the edges of the TE puncture.
- The Provox Vega Plug can be used to temporarily stop leakage through the voice prosthesis.
- Speech Training Sessions with a trained clinician are advised in order to acquire optimal voice sound, fluent speech, and optimal intelligibility.

3.2 Prosthesis maintenance

Instruct the patient when and how to clean his or her Provox Vega voice prosthesis. Cleaning the prosthesis at least twice a day can help prolong the device life.

CAUTION: Only use genuine Provox accessories that are intended for use with Provox Vega when cleaning the prosthesis.

- Brushing the prosthesis with the Provox Brush twice a day will help to remove mucus and food remnants from the prosthesis.
- Flushing the prosthesis with the Provox Flush also helps to clean debris and mucus from the prosthesis, which can help increase the life of the device.

Note: The Provox Flush is intended for use only by patients who, as assessed by the clinician who prescribes the device, have demonstrated ability to understand and consistently follow the instructions for use without clinician supervision.

- Some dietary measures, like the daily intake of yogurt or butter milk containing lactobacilli, are considered to be helpful against excessive Candida growth.

For detailed information on how to clean the Provox Vega, please see Instructions for each accessory.

4. Additional information

4.1 Compatibility with MRI, X-ray and radiation therapy

Provox Vega voice prostheses have been tested and found to be compatible, with Magnetic Resonance Imaging (tested up to 3 Tesla), x-ray and radiation therapy (tested up to 70 Gy). The prosthesis can be left within the TE-puncture during the examination/therapy session. Note that the radio-opaque valve seat is visible on x-ray.

4.2 Device lifetime

Depending on individual biological circumstances the device life varies, and it is not possible to predict the integrity of the device over a longer period of time. The material of the device will be affected by e.g. bacteria and yeast, and the structural integrity of the device will eventually deteriorate.

Laboratory testings of simulated usage for a test period of 12 months show that, in the absence of bacteria and yeasts, the device will maintain its structural integrity for this time period. The device has not been tested for usage beyond 12 months. Usage beyond this limit is under the sole discretion of the prescriber.

4.3 Compatibility with antifungal medicine

Laboratory tests show only minor negative influence on the function of the Provox Vega voice prosthesis and components when using the following antifungal medications: Nystatin, Fluconazole, Miconazol.

5. Reporting

Please note that any serious incident that has occurred in relation to the device shall be reported to the manufacturer and the national authority of the country in which the user and/or patient resides.

FRANÇAIS

Provox® Vega™

1. Description générale

1.1 Utilisation prévue

La prothèse phonatoire Provox Vega est une prothèse phonatoire (à demeure) unidirectionnelle stérile et à usage unique conçue pour la réhabilitation vocale après une ablation chirurgicale du larynx (laryngectomie). Le nettoyage de la prothèse phonatoire est effectué par le patient pendant que la prothèse reste in situ.

Le système d'insertion Provox Insertion System est un dispositif stérile à usage unique conçu pour le remplacement antérograde de la prothèse phonatoire Provox Vega. La procédure de remplacement est effectuée par un médecin ou un professionnel de santé formé en conformité avec les directives locales ou nationales.

Le système d'insertion Provox Insertion System n'est pas conçu pour être utilisé pour l'insertion d'une prothèse phonatoire dans une ponction réalisée récemment.

1.2 Description du dispositif

Généralités

La prothèse phonatoire Provox Vega est une valve (prothèse) unidirectionnelle permettant de garder la ponction trachéo-césophagienne ouverte pour la phonation tout en diminuant le risque de pénétration de nourriture et des fluides dans la trachée. La prothèse phonatoire Provox Vega n'est pas un implant permanent et elle nécessite un remplacement régulier. La prothèse (Fig. 1) est disponible en différents diamètres et plusieurs longueurs. Elle est en caoutchouc de silicone de qualité médicale et fluoroplastique.

Emballage Provox Vega

L'emballage Provox Vega contient les éléments suivants :

- 1 prothèse phonatoire Provox Vega pré-assemblée dans un système d'insertion stérile à usage unique (Fig. 2)
- 1 brosse Provox Brush de taille correspondant à la prothèse phonatoire, non stérile
- 1 manuel du praticien Provox Vega
- 1 manuel pour le patient Provox Vega
- 1 mode d'emploi de la brosse Provox Brush

1.3 CONTRE-INDICATIONS

Il n'existe aucune contre-indication connue à l'utilisation ou au remplacement de la prothèse phonatoire Provox Vega chez les patients bénéficiant déjà de la réhabilitation vocale prothétique.

1.4 AVERTISSEMENTS

- **Le déplacement ou l'extrusion de la prothèse phonatoire Provox Vega** de la ponction trachéo-œsophagienne, ainsi que son ingestion, son aspiration ou des lésions tissulaires, peuvent survenir. Un corps étranger dans les voies aériennes peut entraîner des complications graves, telles qu'une détresse respiratoire aiguë et/ou un arrêt respiratoire.
- **Choisissez la bonne taille de prothèse.** Un ajustement trop serré peut entraîner une nécrose tissulaire et l'extrusion.
- **Indiquez au patient de consulter immédiatement un médecin** en cas de signes d'œdème et/ou d'inflammation/infection.
- **Recommandez au patient de consulter un médecin** en cas de fuite à travers ou autour de la prothèse phonatoire. Une fuite pourrait entraîner une pneumonie d'aspiration.
- **En cas d'utilisation de canules de laryngectomie ou de boutons de trachéostomie,** choisissez des dispositifs de forme adaptée qui n'exercent aucune pression sur la prothèse ou ne s'accrochent pas à la collerette trachéale de la prothèse pendant leur insertion et leur retrait. Cela pourrait entraîner des lésions tissulaires graves et/ou la prothèse pourrait être avalée accidentellement.
- **Recommandez au patient d'utiliser uniquement les accessoires Provox** d'origine de taille appropriée (brosse, poire de rinçage, bouchon) pour l'entretien et d'éviter tout autre type de manipulation.
- **La réutilisation et le retraitement** peuvent provoquer une contamination croisée ou l'endommagement du dispositif, ce qui pourrait causer préjudice au patient.

1.5 PRÉCAUTIONS.

- Évaluez attentivement tout patient présentant des troubles de coagulation ou sous traitement anticoagulant pour déterminer les risques d'hémorragie, avant la mise en place ou le remplacement de la prothèse.
- Inspectez l'emballage avant utilisation. Si l'emballage est endommagé ou a été ouvert, n'utilisez pas le produit.
- Utilisez toujours une technique aseptique lors de la manipulation de la prothèse afin de réduire le risque d'infection.

2. Mode d'emploi

2.1 Sélection de la taille de la prothèse phonatoire

Sélection du diamètre et de la longueur de fût corrects de la prothèse de rechange
Veillez à utiliser une prothèse phonatoire Provox Vega du diamètre et de la longueur de fût corrects. La prothèse Provox Vega est disponible en différents diamètres et plusieurs longueurs de fût.

• Sélection du diamètre de fût

Le praticien doit déterminer le diamètre de prothèse adapté au patient.

Si le diamètre sélectionné est plus grand que la précédente prothèse, la ponction doit être dilatée, en utilisant le Provox Dilator, en fonction du diamètre de la prothèse insérée.

Si une prothèse avec un diamètre de fût inférieur est insérée, assurez-vous que la ponction rétrécit au diamètre approprié.

• Sélection de la longueur de fût

Pour sélectionner la longueur correcte, vous pouvez utiliser la prothèse actuelle comme instrument de mesure.

Si l'espace entre la collerette trachéale de l'ancienne prothèse et la paroi muqueuse est trop important (c.-à-d. 3 mm/~0,12 pouces ou plus), une prothèse plus courte doit être employée. Si l'ajustement de la prothèse est trop serré, une prothèse plus longue doit être employée.

2.2 Préparation

(Fig. 3-6)

Positionnement de la prothèse phonatoire

1. Vérifiez que la prothèse phonatoire est correctement positionnée sur la tige d'introduction, solidement fixée, et que l'extrémité de la tige est enfoncée dans l'anneau bleu de la prothèse phonatoire (Fig. 3).

Déploiement de la collerette œsophagienne

2. Vérifiez que la tige d'introduction est correctement positionnée avec le dispositif de déploiement (la tige doit être encliquetée dans le dispositif de déploiement).
3. Comprimez le dispositif de déploiement avec deux doigts (Fig. 4).
4. Fixez le tube de chargement tout en maintenant le dispositif de déploiement fermé et tournez le tube de chargement jusqu'à ce qu'il s'enclenche (Fig. 5).
(Ne s'applique pas pour l'insertion de la capsule)

Chargement

5. Poussez la tige d'introduction jusqu'à ce que la prothèse phonatoire soit alignée avec l'anneau visible du tube de chargement (Fig. 6). (Ne s'applique pas pour l'insertion de la capsule)

Retrait de l'ancienne prothèse phonatoire

6. Retirez l'actuelle (ancienne) prothèse de la ponction trachéo-œsophagienne en la tirant à l'aide d'une pince hémostatique sans griffes. Le praticien peut également choisir de saisir la collerette trachéale de la prothèse à l'aide d'une pince à préhension et de la couper. Le reste de la prothèse est ensuite enfoncé dans l'œsophage pour passer dans les voies intestinales. Les antécédents de maladies intestinales du patient doivent être pris en compte avant d'utiliser cette méthode.

Préparation de la ponction (facultatif)

7. La ponction peut être dilatée pour préparer l'insertion de la prothèse phonatoire. Cela n'est généralement pas nécessaire mais peut faciliter l'insertion de la prothèse chez les patients avec une ponction décalée ou étroite qui s'affaisse facilement.

2.3 Insertion, procédure de remplacement antérograde

Quatre méthodes peuvent être utilisées pour insérer une prothèse phonatoire Provox Vega avec le système d'insertion Provox Insertion System. Le choix de la méthode dépend du praticien.

- 2.3.1 Insertion du système : la totalité du système d'insertion est utilisée.
- 2.3.2 Insertion du tube : le dispositif de déploiement est retiré avant l'insertion.
- 2.3.3 Insertion par dépassement : la prothèse phonatoire est intégralement déployée dans l'œsophage, puis rétractée dans la position prévue.
- 2.3.4 Insertion de la capsule : la prothèse phonatoire est mise en place dans une capsule Provox Capsule avant son insertion.

2.3.1 Méthode 1 : Insertion du système

1. Insertion dans la ponction trachéo-œsophagienne

Maintenez le système d'insertion Provox Insertion System par le tube de chargement. Insérez l'extrémité du tube de chargement dans la ponction trachéo-œsophagienne. Procédez avec précaution en cas de résistance. Dans ce cas, l'insertion peut être facilitée par dilatation et/ou lubrification.

2. Insertion de la prothèse phonatoire

Maintenez le tube de chargement stable avec une main et poussez la tige d'introduction avec l'autre main jusqu'à ce que les flèches à la surface de préhension distale soient alignées avec le bord inférieur du tube de chargement (Fig. 7). À ce stade, la collerette œsophagienne de la prothèse phonatoire est intégralement déployée dans l'œsophage.

3. Libération de la prothèse phonatoire

Tirez le tube de chargement et le dispositif de déploiement ensemble tout droit hors de la ponction. La prothèse phonatoire reste dans la ponction, toujours solidement fixée à la tige d'introduction.

4. Finalisation de la procédure

Après l'insertion, finalisez la procédure comme décrit ci-dessous dans la section 2.5.

2.3.2 Méthode 2 : Insertion du tube

Pour une meilleure visibilité, le dispositif de déploiement peut être retiré une fois la prothèse enfoncée dans le tube de chargement.

Remarque : pour garantir le déploiement correct de la collerette œsophagienne, il est important de toujours utiliser le système d'insertion Provox Insertion System avec le dispositif de déploiement fixé lors du chargement de la prothèse.

1. Retrait du dispositif de déploiement

Pour retirer le dispositif de déploiement, déverrouillez-le et détachez-le du tube de chargement (Fig. 8).

2. Insertion dans la ponction trachéo-œsophagienne

Maintenez le système d'insertion Provox Insertion System par le tube de chargement. Insérez l'extrémité du tube de chargement dans la ponction trachéo-œsophagienne. Procédez avec précaution en cas de résistance. Dans ce cas, l'insertion peut être facilitée par dilatation et/ou lubrification.

3. Insertion de la prothèse phonatoire

Poussez la tige d'introduction avec l'autre main jusqu'à ce que les flèches à la surface de préhension proximale soient alignées avec le tube de chargement (Fig. 9). À ce stade, la collerette œsophagienne de la prothèse phonatoire est intégralement déployée dans l'œsophage.

4. Libération de la prothèse phonatoire

Maintenez le tube de chargement avec une main et la tige d'introduction avec l'autre main. Retirez le tube de chargement et la tige d'introduction jusqu'à ce que vous sentiez que la collerette œsophagienne a atteint la paroi antérieure de l'œsophage. Relâchez alors la tige d'introduction et tirez le tube de chargement tout droit hors de la ponction. Cela libérera la collerette trachéale.

Remarque : si la collerette trachéale se déploie à l'intérieur de l'œsophage ou de la ponction (dépassement accidentel), saisissez la collerette trachéale à l'aide d'une pince hémostatique sans griffes et tirez/faites pivoter la prothèse phonatoire en place.

5. Finalisation de la procédure

Après l'insertion, finalisez la procédure comme décrit ci-dessous dans la section 2.5.

2.3.3 Méthode 3 : Insertion par dépassement

La prothèse phonatoire Provox Vega est parfois insérée par dépassement pour garantir le déploiement intégral de la collerette œsophagienne dans les ponctions trachéo-œsophagiennes difficiles.

1. Retrait du dispositif de déploiement (facultatif)

Une fois la prothèse enfoncée dans le tube de chargement, retirez le dispositif de déploiement en le déverrouillant et en le détachant du tube de chargement (Fig. 8).

2. Insertion dans la ponction trachéo-œsophagienne

Maintenez le système d'insertion Provox Insertion System par le tube de chargement. Insérez l'extrémité du tube de chargement dans la ponction trachéo-œsophagienne. Procédez avec précaution en cas de résistance. Dans ce cas, l'insertion peut être facilitée par dilatation et/ou lubrification.

3. Insertion de la prothèse phonatoire

Maintenez le tube de chargement stable avec une main et poussez la tige d'introduction avec l'autre main au-delà de la surface de préhension proximale (Fig. 10). À ce stade, la prothèse phonatoire est intégralement déployée dans l'œsophage (Fig. 11). En cas d'insertion par dépassement avec le dispositif de déploiement toujours fixé, poussez la tige d'introduction au-delà de la surface de préhension distale. À ce stade, la prothèse phonatoire est intégralement déployée dans l'œsophage (Fig. 12).

4. Libération de la prothèse phonatoire

Tirez le tube de chargement tout droit hors de la ponction. La prothèse reste dans l'œsophage, toujours solidement fixée à la tige d'introduction. Saisissez la collerette trachéale à l'aide d'une pince hémostatique sans griffes et tirez/faites pivoter la prothèse phonatoire en place.

5. Finalisation de la procédure

Après l'insertion, finalisez la procédure comme décrit ci-dessous dans la section 2.5.

2.3.4 Méthode 4 : Insertion de la capsule

Utilisation

La capsule Provox Capsule est un accessoire à usage unique destiné à permettre au praticien d'insérer de manière antérograde une prothèse phonatoire standard dans la ponction trachéo-œsophagienne d'un patient laryngectomisé.

Description du dispositif

Les capsules Provox Capsule sont constituées de matériau hydrosoluble d'origine végétale. Trois tailles sont disponibles afin de convenir aux différents diamètres des prothèses phonatoires : 17, 20 et 22,5 Fr.

AVERTISSEMENTS

- Toujours s'assurer que la prothèse phonatoire est correctement pliée et insérée dans la capsule Provox Capsule avant son insertion dans la ponction trachéo-œsophagienne. Si la capsule Provox Capsule se détache prématurément, elle peut être aspirée. Veuillez noter que les lubrifiants peuvent altérer la fixation de la capsule.
- Ne pas utiliser de capsule Provox Capsule en cas de suspicion de contamination.
- Ne pas utiliser les capsules Provox Capsule en cas d'altération de l'emballage ou des capsules.
- S'assurer que la prothèse phonatoire fonctionne une fois insérée dans la ponction trachéo-œsophagienne. Une fois la prothèse phonatoire insérée, toujours respecter les consignes de sécurité indiquées dans son mode d'emploi.

MISES EN GARDE

- Ne pas utiliser d'objets tranchants pour insérer la collerette œsophagienne dans la capsule Provox Capsule au risque d'endommager la prothèse phonatoire.
- Utiliser uniquement une capsule Provox Capsule de même taille ou d'une taille supérieure au diamètre de la prothèse phonatoire.

Le dispositif de déploiement du Provox Insertion System peut être utilisé pour déployer la collerette œsophagienne d'une prothèse phonatoire Provox Vega standard dans une capsule Provox Capsule*. Dans cette procédure, le tube de chargement n'est pas utilisé.

1. Insertion de la prothèse dans la capsule Provox Capsule

Jeter la partie longue de la capsule Provox Capsule et utiliser la partie courte destinée à l'insertion. Comprimez le dispositif de déploiement avec deux doigts et mettez la capsule en place dans l'ouverture du dispositif (Fig. 13). Enfoncez la capsule avec l'index tout en maintenant le dispositif de déploiement comprimé (Fig. 14). Vous pouvez également maintenir le dispositif de déploiement comprimé à l'aide du Provox TwistLock. Poussez la tige d'introduction fermement vers l'avant pour charger la collerette œsophagienne de la prothèse phonatoire dans la capsule.

2. Vérification du chargement

La prothèse phonatoire est maintenant chargée dans la capsule Provox Capsule et le dispositif de déploiement peut être retiré de la tige d'introduction. Assurez-vous que la collerette œsophagienne est à l'intérieur de la capsule (Fig. 15). Si la prothèse phonatoire n'est pas correctement déployée, répétez le processus de chargement avec une nouvelle capsule Provox Capsule. S'assurer que la tige de la prothèse phonatoire est fixée dans la broche d'insertion destinée à faire entrer la prothèse dans la ponction.

3. Retirez l'ancienne prothèse phonatoire et préparez la ponction trachéo-œsophagienne (voir section 2.2, points 6 et 7).

4. Insertion de la capsule dans la ponction

Maintenez la prothèse phonatoire insérée jusqu'à la dissolution de la capsule Provox Capsule et jusqu'à ce que la collerette œsophagienne se soit totalement dépliée. Tirer légèrement sur la tige de la prothèse phonatoire afin de vérifier qu'elle soit correctement positionnée.

5. Libération de la prothèse phonatoire

Retirez la tige d'introduction de la prothèse phonatoire. La prothèse phonatoire reste dans la ponction.

6. Finalisation de la procédure

Après l'insertion, finalisez la procédure comme décrit ci-dessous dans la section 2.5.

* Non disponible dans tous les pays.

2.4 Assemblage et rechargement du système d'insertion Provox Insertion System

Si la première tentative d'insertion de la prothèse phonatoire Provox Vega dans la ponction trachéo-œsophagienne a échoué, il est possible de la recharger dans le système d'insertion Provox Insertion System.

Positionnement de la prothèse phonatoire

1. Montez la prothèse phonatoire, côté trachéal orienté vers le bas sur la tige d'introduction.
2. Fixez la tige de sécurité en l'insérant dans la fente de fixation de chaque côté.
3. Vérifiez que la prothèse phonatoire est correctement positionnée sur la tige d'introduction, solidement fixée, et que l'extrémité de la tige est enfoncée dans l'anneau bleu de la prothèse phonatoire (Fig. 3).

Raccord du dispositif de déploiement

4. Guidez la tige d'introduction dans l'ouverture du dispositif de déploiement jusqu'à ce qu'elle s'enclenche. Tirez la tige jusqu'à ce qu'elle soit encliquetée dans le dispositif de déploiement (Fig. 16). Le système d'insertion Provox Insertion System est maintenant prêt pour la préparation. Continuez la préparation comme décrit ci-dessus dans la section 2.2.

MISE EN GARDE : ne rechargez pas la prothèse plus de deux fois. Si la prothèse phonatoire Provox Vega semble endommagée, ne l'utilisez pas.

2.5 Finalisation de la procédure

Après l'insertion :

Vérification de l'ajustement

1. Vérifiez que la prothèse phonatoire est correctement positionnée en faisant pivoter et en tirant doucement la tige d'introduction (Fig. 17). La prothèse est dans une position idéale lorsque la tige de sécurité pointe vers le bas.

Test du fonctionnement

2. Brossez la prothèse Provox Vega avec la brosse Provox Brush. Assurez-vous que la prothèse fonctionne correctement en demandant au patient de parler et en vérifiant qu'elle ne fuit pas lorsque le patient boit de l'eau (Fig. 18).

Sectionnement de la tige de sécurité

3. Après avoir vérifié que la prothèse phonatoire est correctement mise en place, coupez la tige de sécurité au ras de la collerette trachéale (Fig. 19). La prothèse phonatoire Provox Vega est désormais prête à être utilisée.

2.6 Élimination

Toujours respecter la pratique médicale et les réglementations nationales concernant les risques biologiques lors de la mise au rebut d'un dispositif médical usagé.

3. Informations importantes pour le patient

3.1 Généralités

Assurez-vous que le patient comprend qu'il doit contacter son praticien :

- en cas de fuites à travers ou autour de la prothèse (toux et/ou changement de couleur du mucus) ;
- si la phonation devient difficile (effort plus grand et/ou voix plus cassée) ;
- en cas de signes d'inflammation ou de modifications des tissus au niveau de la ponction ou du trachéostome (douleur, rougeur, chaleur, gonflement, traces de sang sur la brosse après le nettoyage).

Informez également le patient que :

- après le remplacement d'une prothèse, des traces de sang peuvent apparaître dans les crachats. Cela peut être dû à la formation de tissu de granulations sur les bords de la ponction trachéo-œsophagienne ;
- le bouchon Provox Vega Plug peut être utilisé pour arrêter temporairement les fuites à travers la prothèse phonatoire ;
- des sessions de formation à la phonation avec un praticien formé sont conseillées pour retrouver une voix optimale, une phonation fluide et une intelligibilité parfaite.

3.2 Entretien de la prothèse

Expliquez au patient quand et comment nettoyer sa prothèse phonatoire Provox Vega. Le fait de nettoyer la prothèse au moins deux fois par jour peut prolonger la durée de vie de la prothèse.

MISE EN GARDE : utilisez uniquement des accessoires Provox d'origine, prévus pour être utilisés avec la prothèse Provox Vega lors de son nettoyage.

- Le brossage de la prothèse deux fois par jour à l'aide de la brosse Provox Brush permet de retirer le mucus et les restes de nourriture de la prothèse.
- Le rinçage de la prothèse à l'aide de la poire de rinçage Provox Flush contribue également à nettoyer les débris et le mucus de la prothèse, ce qui permet d'augmenter la durée de vie du dispositif.

Remarque : la poire de rinçage Provox Flush est uniquement destinée à une utilisation par des patients ayant fait preuve de leur capacité à comprendre et à suivre fidèlement le mode d'emploi sans la supervision du praticien prescripteur.

- Certaines mesures diététiques, telles que la prise de yaourt ou de babeurre contenant des lactobacilles, sont considérées comme contribuant à la lutte contre une croissance excessive du candida.

Pour des informations détaillées sur le nettoyage de la prothèse Provox Vega, consultez le mode d'emploi de chaque accessoire.

4. Informations supplémentaires

4.1 Compatibilité avec un examen IRM, la radiographie et la radiothérapie

Les prothèses phonatoires Provox Vega ont été testées et jugées compatibles avec l'imagerie par résonance magnétique (testées jusqu'à 3 tesla), la radiographie et la radiothérapie (testées jusqu'à 70 Gy). Les prothèses peuvent rester dans la ponction trachéo-œsophagienne pendant l'examen/la séance de thérapie. Notez que le siège radio-opaque de la valve est visible sur les radiographies.

4.2 Durée de vie du dispositif

La durée de vie varie selon les données biologiques individuelles et il n'est pas possible de prédire l'intégrité du dispositif sur une longue période. Les matériaux du dispositif peuvent être affectés notamment par des bactéries ou des levures, ce qui peut finalement détériorer l'intégrité structurelle du dispositif.

Les tests en laboratoire d'utilisation simulée pendant une période de test de 12 mois montrent qu'en l'absence de bactéries et de levures, l'intégrité structurelle du dispositif est maintenue pendant cette période. L'utilisation du dispositif n'a pas été simulée au-delà de 12 mois. Une utilisation au-delà de cette limite engage la responsabilité exclusive du prescripteur.

4.3 Compatibilité avec des médicaments antifongiques

Les tests conduits en laboratoire ne mettent en évidence qu'une influence négative mineure sur le fonctionnement de la prothèse phonatoire Provox Vega et de ses composants, suite à l'utilisation des médicaments antifongiques suivantes : nystatine, fluconazole, miconazole.

5. Signalement

Noter que tout incident grave survenu en relation avec le dispositif doit être signalé au fabricant et à l'autorité nationale du pays dans lequel l'utilisateur et/ou le patient réside.

ESPAÑOL

Provox® Vega™

1. Información descriptiva

1.1 Uso previsto

La prótesis de voz Provox Vega es una prótesis de voz permanente estéril de un solo uso indicada para la rehabilitación de la voz después de la extirpación quirúrgica de la laringe (laringectomía). La limpieza de la prótesis de voz la realiza el paciente mientras esta permanece colocada.

El Provox Insertion System es un dispositivo de un solo uso estéril indicado para la sustitución anterógrada de la prótesis de voz Provox Vega. Este procedimiento de sustitución lo lleva a cabo un médico o profesional médico capacitado, de acuerdo a las normas nacionales o locales.

El Provox Insertion System no está indicado para utilizarse en la inserción de una prótesis de voz en una punción reciente.

1.2 Descripción del dispositivo

General

La Provox Vega es una válvula (prótesis) de una vía que mantiene una punción traqueoesofágica (TE) abierta para el habla, a la vez que reduce el riesgo de entrada de líquidos y alimentos en la tráquea. La prótesis de voz Provox Vega no es un implante permanente y necesita sustituirse cada cierto tiempo. La prótesis (fig. 1) está disponible en distintos diámetros y varias longitudes. El dispositivo está fabricado con goma de silicona de tipo médico y fluoroplástico.

Paquete Provox Vega

El paquete Provox Vega contiene los siguientes elementos:

- 1 Prótesis de voz Provox Vega premontada en un sistema de inserción de un solo uso, estéril (fig. 2)
- 1 Provox Brush (cepillo) del tamaño correspondiente a la prótesis de voz, no estéril
- 1 Manual del médico de Provox Vega
- 1 Manual del paciente de Provox Vega
- 1 Instrucciones de uso del Provox Brush (cepillo)

1.3 CONTRAINDICACIONES

No existen contraindicaciones conocidas en el uso o sustitución de la prótesis de voz Provox Vega entre pacientes que ya utilizan rehabilitación protésica de la voz.

1.4 ADVERTENCIAS

- **Puede producirse un desplazamiento o extrusión de la prótesis de voz Provox Vega** de la punción traqueoesofágica y producirse su ingestión, aspiración o daño en los tejidos. Un cuerpo extraño en la vía respiratoria puede provocar complicaciones graves como dificultad respiratoria y/o paro respiratorio.
- **Seleccione el tamaño de prótesis adecuado.** Un ajuste ceñido puede provocar necrosis tisular y extrusión.
- **Indique al paciente que consulte a su médico** inmediatamente si se produce algún signo de edema tisular y/o inflamación/infección.
- **Solicite al paciente que consulte con un médico** si se produce una fuga a través de la prótesis de voz o a su alrededor. Las fugas pueden provocar neumonía por aspiración.
- **Si se utilizan, seleccione tubos de laringectomía o botones de estoma** con una forma adecuada que no ejerzan presión sobre la prótesis ni se enganchen a la pestaña traqueal durante la inserción o retirada del tubo de laringectomía o el botón de estoma. Esto puede provocar daños tisulares graves y/o la ingestión accidental de la prótesis.
- **Indique al paciente que utilice únicamente accesorios Provox originales** del tamaño correspondiente (Brush, Flush, Plug) para el mantenimiento y que evite cualquier otro tipo de manipulación.
- **La reutilización y el reprocesamiento** pueden provocar contaminación cruzada y el deterioro del dispositivo, lo que podría provocar lesiones al paciente.

1.5 PRECAUCIONES.

- Evalúe cuidadosamente a los pacientes con trastornos hemorrágicos o a los que estén en tratamiento anticoagulante para ver el riesgo de hemorragia antes de la colocación o sustitución de la prótesis
- Inspeccione el paquete antes de su uso. Si el paquete está dañado o abierto, no utilice el producto.
- Utilice siempre una técnica aséptica a la hora de manipular la prótesis para reducir el riesgo de infección.

2. Instrucciones de uso

2.1 Seleccionar el tamaño de la prótesis de voz

Selección del diámetro y la longitud del eje correctos de la prótesis de sustitución
Asegúrese de utilizar una prótesis de voz Provox Vega del diámetro y longitud de eje adecuados. Provox Vega está disponible en distintos diámetros de eje y en varias longitudes.

• Selección del diámetro del eje

El médico debe terminar el diámetro adecuado de la prótesis correcta para el paciente.

Si el diámetro seleccionado es mayor que la prótesis anterior, la vía debe dilatarse mediante el Provox Dilator, correspondiente al diámetro de la prótesis que se va a insertar.

Si se inserta una prótesis con un diámetro de eje más pequeño, observe y asegúrese de que la punción se cierra hasta el diámetro correspondiente.

• Selección de la longitud del eje

Para seleccionar la longitud correcta, puede utilizar la prótesis actual como su propio dispositivo de medición.

Si hubiera demasiado espacio (es decir, 3 mm/~0,12 pulgadas, o más) entre la pestaña traqueal de la prótesis antigua y la pared de mucosa, deberá usarse una prótesis más corta.

Si la colocación de la prótesis es demasiado justa, deberá usarse una prótesis mayor.

2.2 Preparación

(Fig. 3-6)

Colocación de la prótesis de voz

1. Asegúrese de que la prótesis de voz se coloca correctamente en la espiga de introducción, firmemente conectada, y con la punta de la espiga colocada hasta el interior del anillo azul de la prótesis de voz (fig. 3).

Doblar la pestaña esofágica

2. Verifique que la espiga de inserción está colocada correctamente con la herramienta de plegado (la espiga se encajará en la herramienta de plegado).
3. Apriete la herramienta de plegado con los dos dedos (fig. 4)
4. Conecte el tubo de carga mientras mantiene la herramienta de plegado cerrada y gira el tubo de carga hasta que queda bloqueado en su sitio (fig. 5).
(N/D para inserción de cápsula)

Cargar

5. Presione la espiga de inserción hacia adelante hasta que se alinee la prótesis de voz con el anillo visible del tubo de carga (fig. 6). (N/D para inserción de cápsula)

Retirar la prótesis de voz antigua

6. Retire la prótesis actual (antigua) de la punción traqueoesofágica (TE) tirando hacia afuera con un hemostato no dentado. De forma alternativa, a discreción del médico, la pestaña traqueal de la prótesis puede agarrarse con unas pinzas y cortarse. El resto de la prótesis se empuja hacia el interior del esófago para pasar a través de los intestinos. Debe tenerse en cuenta el historial de enfermedades intestinales del paciente antes de utilizar este método.

Preparar la punción (opcional)

7. La punción puede dilatarse para preparar la inserción de la prótesis de voz. Esto normalmente no es necesario, pero puede facilitar la inserción en pacientes con punciones en ángulo o ceñidas que pueden plegarse fácilmente.

2.3 Procedimiento de inserción y sustitución anterógrada

Pueden utilizarse cuatro métodos para insertar una prótesis de voz Provox Vega con el Provox Insertion System. La elección del método queda a discreción del médico.

2.3.1 Sistema de inserción: Se utiliza el sistema de inserción entero.

2.3.2 Inserción de tubo: La herramienta de plegado se retira antes de la inserción.

2.3.3 Inserción de la totalidad de la prótesis en el esófago sobrepasando la fístula (inserción con rebasamiento): Se coloca la prótesis de voz entera en el esófago y, a continuación, se repliega a la posición prevista.

2.3.4 Inserción de cápsula: Se coloca la prótesis de voz en una Provox Capsule antes de la inserción.

2.3.1 Método 1: Inserción del sistema

1. Introducir la punción traqueoesofágica (TE)

Sostenga el Provox Insertion System por el tubo de carga. Introduzca la punción con la punta del tubo de carga. Proceda con cuidado si encuentra resistencia. Si encuentra resistencia, la dilatación y/o lubricación pueden facilitar la inserción.

2. Insertar la prótesis de voz

Sostenga el tubo de carga de forma estable con una mano y empuje la espiga de inserción con la otra hasta que las flechas en la superficie de agarre distal estén a ras con el borde inferior de la herramienta de plegado (fig. 7). En este punto, la pestaña esofágica de la prótesis de voz está completamente desplegada en el esófago.

3. Liberar la prótesis de voz

Tire del tubo de carga y la herramienta de plegado a la vez directamente desde la punción. La prótesis de voz permanece en la punción, aún conectada firmemente a la espiga de inserción.

4. Finalizar el procedimiento

Después de la inserción, finalice el procedimiento como se describe más adelante en la sección 2.5.

2.3.2 Método 2: Inserción del tubo

Para mejorar la visibilidad, la herramienta de plegado puede retirarse cuando la prótesis se haya introducido dentro del tubo de carga.

Nota: Es importante utilizar siempre el Provox Insertion System con una herramienta de plegado conectada a la hora de cargar la prótesis para asegurar un plegado correcto de la pestaña esofágica.

1. Retirar la herramienta de plegado

Retire la herramienta de plegado desbloqueándola y desconectándola del tubo de carga (fig. 8).

2. Introducir la punción traqueoesofágica (TE)

Sostenga el Provox Insertion System por el tubo de carga. Introduzca la punción con la punta del tubo de carga. Proceda con cuidado si encuentra resistencia. Si existe resistencia, la dilatación y/o lubricación puede facilitar la inserción.

3. Insertar la prótesis de voz

Presione la espiga de inserción con la otra mano hasta que las flechas en la superficie de agarre proximal estén a ras con el tubo de carga (fig. 9). En este punto, la pestaña esofágica de la prótesis de voz está completamente desplegada en el esófago.

4. Liberar la prótesis de voz

Sostenga el tubo de carga con una mano y la espiga de inserción con la otra. Tire hacia atrás de ambos hasta que sienta que la pestaña esofágica ha alcanzado la pared esofágica anterior. A continuación, suelte la espiga de inserción y tire del tubo de carga directamente desde la punción. Esto liberará la pestaña traqueal.

Nota: Si la pestaña traqueal se despliega dentro del esófago o la punción (inserción involuntaria de la totalidad de la prótesis en el esófago sobrepasando la fístula), agarre la pestaña traqueal con un hemostato no dentado y tire/gire la prótesis de voz a su posición.

5. Finalizar el procedimiento

Después de la inserción, finalice el procedimiento como se describe más adelante en la sección 2.5.

2.3.3 Método 3: Inserción de la totalidad de la prótesis en el esófago sobrepasando la fístula (inserción con rebasamiento)

La inserción de la totalidad de la prótesis de voz Provox Vega en el esófago sobrepasando la fístula se realiza ocasionalmente para asegurar un completo desarrollo de la pestaña esofágica en punciones TE difíciles.

1. Retirar la herramienta de plegado (opcional)

Después de que la prótesis se haya introducido en el tubo de carga, retire la herramienta de plegado desbloqueándola y desconectándola del tubo de carga (fig. 8).

2. Introducir la punción traqueoesofágica (TE)

Sostenga el Provox Insertion System por el tubo de carga. Introduzca la punción con la punta del tubo de carga. Proceda con cuidado si encuentra resistencia. Si existe resistencia, la dilatación y/o lubricación puede facilitar la inserción.

3. Insertar la prótesis de voz

Sostenga el tubo de carga de forma estable con una mano y empuje la espiga de inserción con la otra hasta más allá de la superficie de agarre proximal (fig. 10). En este punto, la prótesis de voz está completamente colocada en el esófago (fig. 11). Si se realiza la inserción con rebasamiento con la herramienta de plegado montada, empuje la espiga de inserción más allá de la superficie de agarre distal. En este punto, la prótesis de voz está completamente colocada en el esófago (fig. 12).

4. Liberar la prótesis de voz

Tire del tubo de carga directamente desde la punción. La prótesis permanece en el esófago, aún conectada firmemente a la espiga de inserción. Agarre la pestaña traqueal con un hemostato no dentado y tire/gire la prótesis de voz a su lugar.

5. Finalizar el procedimiento

Después de la inserción, finalice el procedimiento como se describe más adelante en la sección 2.5

2.3.4 Método 4: Inserción de cápsula

Indicaciones

La Provox Capsule es un accesorio de un solo uso para la inserción anterógrada de una prótesis de voz estándar por un médico en la punción traqueoesofágica de un paciente al que se ha practicado una laringectomía.

Descripción del dispositivo

La Provox Capsule está fabricada de un material soluble en agua de origen vegetal. Hay tamaños disponibles para adaptarse a tres diámetros de prótesis de voz diferentes, 17, 20 y 22,5 Fr.

ADVERTENCIAS

- Asegúrese siempre de que la prótesis de voz está plegada correctamente y se inserta debidamente en la Provox Capsule antes de la inserción. Si la Provox Capsule se desprende de forma prematura podría aspirarse. Tenga en cuenta que los lubricantes pueden comprometer la conexión de la cápsula.
- No utilice la Provox Capsule si sospecha de la existencia de contaminantes.
- No utilice las Provox Capsules si el paquete o las cápsulas están dañados.
- Asegúrese de que la prótesis de voz funciona después de la inserción en la punción traqueoesofágica (TE). Siga siempre las precauciones de seguridad especificadas en las instrucciones de uso de la prótesis de voz después de su inserción.

PRECAUCIONES

- No utilice elementos afilados para insertar la pestaña esofágica en la Provox Capsule, ya que esto podría dañar la prótesis de voz.
- Utilice únicamente una Provox Capsule del mismo tamaño o un tamaño superior que el diámetro de la prótesis de voz.

Puede utilizarse la herramienta de plegado del Provox Insertion System para plegar la pestaña esofágica de una prótesis de voz Provox Vega estándar en una Provox Capsule*. En este procedimiento el tubo de carga no se utiliza.

1. Insertar la prótesis en la Provox Capsule

Deseche la parte larga de la Provox Capsule y utilice la parte corta para la inserción. Apriete la herramienta de plegado con los dos dedos y coloque la cápsula en la apertura de la herramienta de plegado (fig. 13). Mantenga la herramienta de plegado unida mientras sostiene la cápsula hacia abajo con el dedo índice (fig. 14). De forma alternativa, utilice el Provox TwistLock para mantener la herramienta de plegado unida. Presione la espiga de inserción firmemente hacia adelante; esto cargará la pestaña esofágica de la prótesis de voz en la cápsula.

2. Comprobar la correcta carga

La prótesis de voz ya está cargada en Provox Capsule y la herramienta de plegado puede retirarse de la espiga de inserción. Confirme que la pestaña esofágica está dentro de la cápsula (fig. 15). Si la prótesis de voz no está correctamente plegada, el proceso de carga debe repetirse con una nueva Provox Capsule. Asegúrese de que la banda de la prótesis de voz está fijada en la espiga del introductor indicada para insertar la prótesis en la punción.

3. Retire la prótesis de voz antigua y prepare la punción traqueoesofágica (TE) (véase el apartado 2.2 puntos 6 y 7).

4. Inserte la Provox Capsule en la punción.

Sostenga la prótesis de voz estando totalmente insertada hasta que la Provox Capsule se haya disuelto y la pestaña esofágica se haya desplegado por completo. Tire ligeramente de la banda de la prótesis de voz para garantizar que está en la posición correcta.

5. Libere la prótesis de voz

Retire la espiga del introductor de la prótesis de voz. La prótesis de voz permanece en la punción.

6. Finalizar el procedimiento

Después de la inserción, finalice el procedimiento como se describe más adelante en la sección 2.5

* No disponible en todos los países.

2.4 Montaje y recarga del Provox Insertion System

Si el primer intento de inserción de la prótesis Provox Vega en la punción traqueoesofágica (TE) no fue correcto, es posible recargar la prótesis de voz en el Provox Insertion System.

Colocación de la prótesis de voz

1. Monte la prótesis de voz con el lado traqueal orientado hacia abajo sobre la parte superior de la espiga de inserción.
2. Conecte la banda de seguridad guiándola a través de la ranura de conexión en cualquier lado.
3. Asegúrese de que la prótesis de voz se coloca correctamente en la espiga de introducción, firmemente conectada y con la punta de la espiga colocada hasta el interior del anillo azul de la prótesis de voz (fig. 3).

Conectar la herramienta de plegado

4. Guíe la espiga de inserción a través de la apertura de la herramienta de plegado hasta que encaje en su lugar. Tire de la espiga hasta que esta se encaje en la herramienta de plegado (fig. 16). El Provox Insertion System ya está listo para la preparación. Continúe la preparación como se describe anteriormente en la sección 2.2.

AVISO: No recargar más de dos veces. Si la prótesis de voz Provox Vega muestra algún signo de daño, no la utilice.

2.5 Finalizar el procedimiento

Después de la inserción:

Asegurar un ajuste correcto

1. Asegure la correcta posición de la prótesis de voz girando y tirando con suavidad de la espiga de inserción (fig. 17). La prótesis estará en una posición correcta cuando la banda de seguridad apunte hacia abajo.

Probar el correcto funcionamiento

2. Cepille el Provox Vega con el Provox Brush (cepillo). Pruebe el correcto funcionamiento de la prótesis solicitando al paciente que hable y observando que la prótesis no presenta fugas cuando el paciente bebe agua (fig. 18).

Cortar la banda de seguridad

3. Después de asegurarse de que la prótesis de voz está colocada correctamente, corte la banda de seguridad para que esté a ras con la pestaña traqueal (fig. 19). La prótesis de voz Provox Vega ya está lista para su uso.

2.6 Eliminación

Al desechar un dispositivo médico usado, siga siempre la práctica médica y los requisitos nacionales sobre peligros biológicos.

3. Información importante del paciente

3.1 Información general

Asegurarse de que el paciente entiende que debe ponerse en contacto con su médico si:

- Existe una fuga a través o alrededor de la prótesis (tos y/o cambio de color de la mucosidad).
- Hablar se vuelve difícil (hay que hacer más esfuerzo y/o la voz suena más forzada).
- Hay signos de inflamación o el tejido cambia en la zona de punción o la región del estoma (dolor, rojez, calor, hinchazón, restos de sangre en el cepillo tras cepillarse).

Además, informar al paciente de que:

- Después de una sustitución de prótesis pueden encontrarse restos de sangre en los esputos. Esto puede proceder del tejido granular de los bordes de la punción traqueoesofágica.
- El Provox Vega Plug puede utilizarse para detener temporalmente la fuga a través de la prótesis de voz.
- Se aconseja asistir a sesiones de formación para el habla con un médico para obtener una inteligibilidad óptima, fluidez del habla y sonido de voz óptimo.

3.2 Mantenimiento de la prótesis

Instruya al paciente sobre cuándo y cómo debe limpiar su prótesis de voz Provox Vega. Limpiar la prótesis al menos dos veces al día puede prolongar la vida útil del dispositivo.

AVISO: Utilice únicamente accesorios Provox originales indicados para su uso con Provox Vega a la hora de limpiar la prótesis.

- Cepillar la prótesis con el Provox Brush (cepillo) dos veces al día ayudará a eliminar la mucosidad y los restos de comida de la prótesis.
- Purgar la prótesis con el Provox Flush (irrigador) también ayuda a limpiar los residuos y la mucosidad de la prótesis, lo que puede aumentar la vida útil del dispositivo.
Nota: El Provox Flush (irrigador) está indicado para utilizarse únicamente por pacientes que, evaluados por el médico que les prescribe el dispositivo, han demostrado la capacidad para comprender y seguir de forma continuada las instrucciones de uso sin la supervisión del médico.
- Algunas medidas dietéticas, como la ingesta diaria de yogur, mantequilla o leche que contengan lactobacilos, se consideran útiles contra el crecimiento excesivo de hongos.

Para obtener información detallada sobre cómo limpiar la prótesis Provox Vega, consulte las instrucciones de cada accesorio.

4. Información adicional

4.1 Compatibilidad con IRM, rayos X y radioterapia

Las prótesis de voz Provox Vega han sido probadas y se ha determinado que son compatibles con la imagen por resonancia magnética (probadas hasta 3 teslas), rayos X y terapia de radiación (hasta 70 Gy). La prótesis puede dejarse dentro de la punción TE durante la sesión de exploración/terapia. Tenga en cuenta que el asiento de la válvula radiopaca es visible mediante rayos X.

4.2 Vida útil del dispositivo

En función de las circunstancias biológicas individuales, la vida útil del dispositivo varía y no resulta posible predecir la integridad del mismo a largo plazo. El material del dispositivo resultará afectado, por ejemplo, por bacterias y hongos, y la integridad estructural llegará un momento en que se deteriore.

Las pruebas de laboratorio de uso simulado durante un periodo de prueba de 12 meses muestran que, en ausencia de bacterias y hongos, el dispositivo mantendrá su integridad estructural durante ese periodo de tiempo. El dispositivo no se ha probado para su uso más allá de los 12 meses. El uso más allá de estos límites queda bajo la responsabilidad exclusiva del médico al cargo.

4.3 Compatibilidad con medicina antifúngica

Las pruebas de laboratorio solo muestran una reducida influencia negativa en la función de la prótesis de voz Provox Vega y sus componentes cuando se utilizan los siguientes antifúngicos: nistatina, fluconazol y miconazol.

5. Notificación

Tenga en cuenta que cualquier incidente grave que se haya producido en relación con el dispositivo se comunicará al fabricante y a la autoridad nacional del país en el que resida el usuario y/o el paciente.

Provox® Vega™

1. Informação descritiva

1.1 Utilização prevista

A prótese fonatória Provox Vega é uma prótese fonatória interna, estéril, para uma única utilização, destinada à reabilitação da voz após a remoção cirúrgica da laringe (laringectomia). A limpeza da prótese fonatória é realizada pelo paciente com a mesma colocada.

O Provox Insertion System é um dispositivo estéril para uma única utilização, destinado à substituição anterógrada da prótese fonatória Provox Vega. Este procedimento de substituição é realizado por um médico ou profissional médico com a devida formação, de acordo com as diretrizes locais ou nacionais.

O Provox Insertion System não se destina a ser utilizado para a inserção de uma prótese fonatória numa punção realizada recentemente.

1.2 Descrição do dispositivo

Disposições gerais

A Provox Vega é uma válvula unidirecional (prótese) que mantém uma punção TE aberta para falar, reduzindo, simultaneamente, o risco da entrada de fluidos e alimentos na traqueia. A prótese fonatória Provox Vega não é um implante permanente e precisa de ser substituída periodicamente. A prótese (fig. 1) está disponível em diferentes diâmetros e vários comprimentos. O dispositivo é fabricado em borracha de silicone para uso médico e fluoroplástico.

Embalagem da Provox Vega

A embalagem da Provox Vega inclui o seguinte:

- 1 prótese fonatória Provox Vega pré-montada num sistema de inserção para uma única utilização, estéril (fig. 2)
- 1 Provox Brush (escova) de tamanho correspondente à prótese fonatória, não estéril
- 1 manual do profissional de saúde da Provox Vega
- 1 manual do paciente da Provox Vega
- 1 instruções de utilização da Provox Brush

1.3 CONTRAINDICAÇÕES

Não existem contra-indicações conhecidas à utilização ou substituição da prótese fonatória Provox Vega entre pacientes que já utilizam prótese para reabilitação da voz.

1.4 ADVERTÊNCIAS

- **Pode ocorrer desalojamento ou extrusão da prótese fonatória Provox Vega** da punção TE e subsequente ingestão, aspiração ou lesões nos tecidos. A presença de um corpo estranho nas vias aéreas pode provocar complicações graves como, por exemplo, dificuldade respiratória aguda e/ou paragem respiratória.
- **Selecione o tamanho adequado da prótese.** Um ajuste apertado pode causar necrose tecidual e extrusão da prótese.
- **Instrua o paciente para consultar imediatamente um médico** se surgirem sinais de edema e/ou inflamação/infeção dos tecidos.
- **Instrua o paciente para consultar um médico** caso ocorram fugas através ou à volta da prótese fonatória. As fugas podem provocar pneumonia por aspiração.
- **Se utilizados, escolha tubos de laringectomia ou botões de estoma** com um formato adequado, que não exerçam pressão na prótese nem fiquem presos na flange traqueal da prótese durante a inserção e remoção da cânula de laringectomia ou do botão de estoma. Isto pode levar a uma lesão tecidual grave e/ou ingestão acidental da prótese.
- **Instrua o paciente para utilizar apenas acessórios Provox genuínos** de tamanho correspondente (Brush, Flush, Plug) para a manutenção e evite todos os outros tipos de manipulação.
- **A reutilização e o reprocessamento** podem causar contaminação cruzada e danificar o dispositivo, o que poderá provocar lesões no paciente.

1.5 PRECAUÇÕES.

- Avalie cuidadosamente todos os pacientes com coagulopatias ou submetidos a tratamento anticoagulante quanto ao risco de sangramento ou hemorragia, antes da colocação ou substituição da prótese.
- Inspeccione a embalagem antes da utilização. Não utilize o produto se a embalagem estiver danificada ou aberta.
- Utilize sempre uma técnica asséptica durante o manuseamento da prótese para reduzir o risco de infeções.

2. Instruções de utilização

2.1 Seleção do tamanho da prótese fonatória

Selecionar o diâmetro e comprimento correto da haste da prótese de substituição
Assegure-se de que utiliza uma prótese fonatória Provox Vega com uma haste de diâmetro e comprimento corretos. A Provox Vega está disponível em diferentes diâmetros da haste e vários comprimentos.

- **Selecionar o diâmetro da haste**

O profissional de saúde deve determinar o diâmetro correto da prótese adequada ao paciente.

Se o diâmetro selecionado for maior do que o da prótese anterior, é necessário dilatar o trato, utilizando o Provox Dilator (dilatador), de modo a adaptar-se ao diâmetro da prótese que está a ser inserida.

Se estiver a ser inserida uma prótese com um diâmetro de haste menor, observe e assegure-se de que a punção encolhe até ao diâmetro adequado.

• **Selecionar o comprimento da haste**

Para selecionar o comprimento correto, pode utilizar a prótese atual como o seu próprio dispositivo de medição.

Se existir demasiado espaço (ou seja, 3 mm/~0,12 polegadas, ou mais) entre a flange traqueal da prótese antiga e a parede mucosa, deve ser utilizada uma prótese mais curta. Se o encaixe da prótese for demasiado justo, deve ser utilizada uma prótese mais comprida.

2.2 Preparação

(Figura 3-6)

Posicione a prótese fonatória

1. Certifique-se de que a prótese fonatória está corretamente posicionada no pino de inserção, firmemente encaixada, e com a ponta do pino posicionada totalmente dentro do anel azul da prótese fonatória (fig. 3).

Dobre a flange esofágica

2. Verifique se o pino de inserção está corretamente posicionado com a ferramenta de dobragem (o pino deve ser encaixado na ferramenta de dobragem).
3. Una a ferramenta de dobragem, apertando-a com dois dedos (fig. 4)
4. Coloque o tubo de carregamento, mantendo a ferramenta de dobragem fechada, e rode o tubo de carregamento até o mesmo encaixar (fig. 5).
(N/A para inserção de cápsula)

Carregue

5. Empurre o pino de inserção até que a prótese fonatória esteja alinhada com o anel visível no tubo de carregamento (fig. 6). (N/A para inserção de cápsula)

Retire a prótese fonatória antiga

6. Retire a prótese atualmente em uso (antiga) da punção TE, puxando-a para fora com uma pinça hemostática sem dentes. Em alternativa, ao critério do profissional de saúde, a flange traqueal da prótese pode ser apanhada com uma pinça e cortada. O resto da prótese é então empurrada para o esófago, para passagem através do trato intestinal. Antes de utilizar este método, deve considerar o historial do paciente relativamente a quaisquer patologias intestinais.

Prepare a punção (opcional)

7. A punção pode ser dilatada como preparação para a inserção da prótese fonatória. Isto nem sempre é necessário, mas pode facilitar a inserção em pacientes com punções anguladas ou apertadas, que colapsam facilmente.

2.3 Inserção, procedimento de substituição anterógrada

Podem ser utilizados quatro métodos para inserir uma prótese fonatória Provox Vega com o Provox Insertion System. A seleção do método fica ao critério do profissional de saúde.

- 2.3.1 Inserção do sistema: É utilizado todo o sistema de inserção.
- 2.3.2 Inserção do tubo: A ferramenta de dobragem é retirada antes da inserção.
- 2.3.3 Inserção total: A prótese fonatória completa é colocada dentro do esófago e, em seguida, é retirada até à posição pretendida.
- 2.3.4 Inserção da cápsula: A prótese fonatória é colocada numa Provox Capsule (cápsula) antes da inserção.

2.3.1 Método 1: Inserção do sistema

1. Penetre na punção TE

Segure o Provox Insertion System pelo tubo de carregamento. Penetre a punção com a ponta do tubo de carregamento. Avance com cuidado se encontrar resistência. Em caso de resistência, a dilatação e/ou lubrificação podem facilitar a inserção.

2. Insira a prótese fonatória

Segure e estabilize o tubo de carregamento com uma mão e empurre o pino de inserção com a outra mão, até que as setas na superfície de prensão distal estejam alinhadas com a extremidade inferior da ferramenta de dobragem (fig. 7). Neste ponto, a flange esofágica da prótese fonatória é completamente desdobrada no esófago.

3. Liberte a prótese fonatória

Puxe, simultaneamente, o tubo de carregamento e a ferramenta de dobragem para fora da punção. A prótese fonatória permanece na punção, ainda firmemente fixa no pino de inserção.

4. Finalize o procedimento

Após a inserção, finalize o procedimento como descrito abaixo, na secção 2.5.

2.3.2 Método 2: Inserção do tubo

Para melhorar a visibilidade, a ferramenta de dobragem pode ser retirada assim que a prótese tenha sido introduzida no tubo de carregamento.

Nota: É importante utilizar sempre o Provox Insertion System com a ferramenta de dobragem colocada, durante o carregamento da prótese, para assegurar uma dobragem adequada da flange esofágica.

1. Retire a ferramenta de dobragem

Retire a ferramenta de dobragem, desbloqueando-a e separando-a do tubo de carregamento (fig. 8).

2. Penetre na punção TE

Segure o Provox Insertion System pelo tubo de carregamento. Penetre na punção com a ponta do tubo de carregamento. Avance com cuidado se encontrar resistência. Em caso de resistência, a dilatação e/ou lubrificação podem facilitar a inserção.

3. **Insira a prótese fonatória**

Empurre o pino de inserção com a outra mão, até que as setas na superfície de prensão distal estejam alinhadas com o tubo de carregamento (fig. 9). Neste ponto, a flange esofágica da prótese fonatória é completamente desdobrada no esôfago.

4. **Liberte a prótese fonatória**

Segure o tubo de carregamento com uma mão e o pino de inserção com a outra mão. Empurre o tubo de carregamento e o pino de inserção para trás, até sentir que a flange esofágica atingiu a parede esofágica anterior. De seguida, solte o pino de inserção e puxe o tubo de carregamento diretamente para fora da punção. Isto libertará a flange traqueal.

Nota: Se a flange traqueal se desdobrar dentro do esôfago ou da punção (inserção total da prótese no esôfago não intencional), segure a flange traqueal com uma pinça hemostática sem dentes e puxe/rode a prótese fonatória até à posição adequada.

5. **Finalize o procedimento**

Após a inserção, finalize o procedimento como descrito abaixo, na secção 2.5

2.3.3 Método 3: Inserção total

A inserção total da prótese fonatória Provox Vega no esôfago é, ocasionalmente, realizada, para assegurar o desenvolvimento integral da flange esofágica em punções TE difíceis.

1. **Retire a ferramenta de dobragem (opcional)**

Depois da prótese ter sido colocada dentro do tubo de carregamento, retire a ferramenta de dobragem, desbloqueando-a e separando-a do tubo de carregamento (fig. 8).

2. **Penetre na punção TE**

Segure o Provox Insertion System pelo tubo de carregamento. Penetre na punção com a ponta do tubo de carregamento. Avance com cuidado se encontrar resistência. Em caso de resistência, a dilatação e/ou lubrificação podem facilitar a inserção.

3. **Insira a prótese fonatória**

Segure e estabilize o tubo de carregamento com uma mão e empurre o pino de inserção com a outra mão, até que esteja para além da superfície de prensão proximal (fig. 10). Neste ponto, a prótese fonatória é totalmente colocada dentro do esôfago (fig.11).

Se a inserção total for efetuada com a ferramenta de dobragem montada, empurre o pino de inserção para além da superfície de prensão distal. Neste ponto, a prótese fonatória é totalmente colocada dentro do esôfago (fig.12).

4. **Liberte a prótese fonatória**

Puxe o tubo de carregamento para fora da punção. A prótese permanece no esôfago, ainda firmemente fixa no pino de inserção. Segure a flange traqueal com uma pinça hemostática sem dentes e puxe/rode a prótese fonatória até à posição adequada.

5. **Finalize o procedimento**

Após a inserção, finalize o procedimento como descrito abaixo, na secção 2.5

2.3.4 Método 4: Inserção da cápsula

Utilização prevista

A Provox Capsule (cápsula) é um acessório de utilização única para inserção anterógrada de uma prótese fonatória padrão, por um profissional de saúde, na punção traqueoesofágica de um paciente laringectomizado.

Descrição do dispositivo

As Provox Capsule são fabricadas a partir de material de origem vegetal solúvel em água e os tamanhos disponíveis são adequados a três diâmetros diferentes de próteses fonatórias, 17, 20 e 22,5 Fr.

ADVERTÊNCIAS

- Assegure-se sempre de que a prótese fonatória foi corretamente dobrada e é devidamente colocada na Provox Capsule antes da inserção. Se a Provox Capsule se soltar prematuramente, poderá ser aspirada. Tenha em atenção que os lubrificantes podem comprometer a fixação da Provox Capsule.
- Não utilize a Provox Capsule, se suspeitar da existência de contaminação.
- Não utilize as Provox Capsule se a embalagem ou as cápsulas parecerem estar danificadas.
- Assegure-se de que a prótese fonatória está funcional após a inserção numa punção TE. Siga sempre as precauções de segurança especificadas nas instruções de utilização da prótese fonatória após a inserção.

PRECAUÇÕES

- Não utilize itens afiados para inserir a flange esofágica na Provox Capsule, dado que poderão danificar a prótese fonatória.
- Utilize apenas uma Provox Capsule do mesmo tamanho ou um tamanho acima do diâmetro da prótese fonatória.

A ferramenta de dobragem do Provox Insertion System pode ser utilizada para dobrar a flange esofágica de uma prótese fonatória Provox Vega padrão numa Provox Capsule*. Neste procedimento, o tubo de carregamento não é utilizado.

1. **Insira a prótese na Provox Capsule**

Deite fora a parte longa da Provox Capsule e utilize a parte curta para a inserção. Una a ferramenta de dobragem, apertando-a com dois dedos, e coloque a cápsula na abertura da ferramenta de dobragem (fig. 13). Mantenha a ferramenta de dobragem unida, ao mesmo tempo que mantém a cápsula para baixo com o dedo indicador (fig. 14). Em alternativa, utilize o Provox TwistLock para manter a ferramenta de dobragem unida. Empurre o pino de inserção firmemente para a frente; esta ação irá carregar a flange esofágica da prótese fonatória na cápsula.

2. **Verifique o correto carregamento**

A prótese fonatória está agora carregada na Provox Capsule, e a ferramenta de dobragem pode ser retirada do pino de inserção. Confirme que a flange esofágica está no interior da cápsula (fig. 15). Se a prótese fonatória não estiver corretamente dobrada, o processo de carregamento deve ser repetido com uma nova Provox Capsule. Assegure-se de que a fita da prótese fonatória está fixa ao pino do insersor destinado a inserir a prótese na punção.

3. Retire a prótese fonatória antiga e prepare uma punção TE (consulte a secção 2.2 pontos 6 e 7).
 4. **Insira a Provox Capsule na punção.**
Segure a prótese fonatória numa posição totalmente inserida, até que a Provox Capsule se tenha dissolvido e a flange esofágica se tenha desdobrado completamente. Puxe levemente a fita da prótese fonatória para confirmar que está na posição correta.
 5. **Liberte a prótese fonatória**
Retire o pino de inserção da prótese fonatória. A prótese fonatória permanece na punção.
 6. **Finalize o procedimento**
Após a inserção, finalize o procedimento como descrito abaixo, na secção 2.5
- * Não está disponível em todos os países.

2.4 Montagem e recarregamento do Provox Insertion System

Se a primeira tentativa de inserção da Provox Vega na punção TE não for bem sucedida, é possível recarregar a prótese fonatória no Provox Insertion System.

Posicione a prótese fonatória

1. Monte a prótese fonatória com o lado traqueal virado para baixo, sobre o pino de inserção.
2. Prenda a fita de segurança, passando-a através da ranhura de fixação, em qualquer um dos lados.
3. Certifique-se de que a prótese fonatória está corretamente posicionada no pino de inserção, firmemente encaixada, e com a ponta do pino posicionada totalmente dentro do anel azul da prótese fonatória (fig. 3).

Encaixe a ferramenta de dobragem

4. Oriente o pino de inserção através da abertura da ferramenta de dobragem até encaixar. Puxe o pino até que o mesmo fique preso na ferramenta de dobragem (fig. 16). O Provox Insertion System está agora pronto para a preparação. Prossiga com a preparação conforme descrito acima na secção 2.2.

ATENÇÃO: Não recarregue mais do que duas vezes. Se a prótese fonatória Provox Vega apresentar quaisquer sinais de danos, não a utilize.

2.5 Finalização do procedimento

Após a inserção:

Certifique-se de que existe um ajuste adequado

1. Assegure um correto posicionamento da prótese fonatória, rodando e puxando com cuidado o pino de inserção (fig. 17). A prótese está numa posição ideal quando a fita de segurança está a apontar para baixo.

Realize um teste para verificar o correto funcionamento

2. Escove a Provox Vega com a Provox Brush. Realize um teste para verificar o correto funcionamento da prótese, pedindo ao paciente para falar e observando se a prótese apresenta fugas enquanto o paciente bebe água (fig. 18).

Corte a fita de segurança

3. Depois de se certificar de que a prótese fonatória está corretamente colocada, corte a fita de segurança que está alinhada com a flange traqueal (fig. 19). A prótese fonatória Provox Vega está agora pronta para ser utilizada.

2.6 Eliminação

Cumpra sempre os requisitos nacionais e de medicina geral em matéria de perigos biológicos ao eliminar um dispositivo médico usado

3. Informações importantes para o paciente

3.1 Informações gerais

Certifique-se de que o paciente compreende que tem de contactar o respetivo profissional de saúde se:

- Existir uma fuga através ou à volta da prótese (tosse e/ou alteração da cor das mucosidades).
- A fala se tornar difícil (maior esforço e/ou a voz parecer mais forçada).
- Existirem quaisquer sinais de inflamação ou alterações nos tecidos na área da punção ou na região do estoma (dor, vermelhidão, calor, inchaço, vestígios de sangue na escova após a escovagem).

Informe também o paciente que:

- Após a substituição de uma prótese, poderá encontrar vestígios de sangue na expetoração. Este poderá ser proveniente de tecido de granulação nas extremidades da punção TE.
- O Provox Vega Plug (tampão) pode ser utilizado temporariamente para parar as fugas através da prótese fonatória.
- Aconselha-se a frequência de sessões de terapia da fala com um profissional de saúde com formação para conseguir um som vocal ideal, uma fala fluente e uma inteligibilidade ideal.

3.2 Manutenção da prótese

Instrua o paciente sobre quando e como limpar a sua prótese fonatória Provox Vega. A limpeza da prótese, pelo menos, duas vezes por dia, pode ajudar a prolongar a vida útil do dispositivo.

ATENÇÃO: Utilize apenas acessórios Provox originais que se destinam ao uso da Provox Vega, para a limpeza da prótese.

- Escovar a prótese duas vezes por dia com a Provox Brush irá ajudar a remover mucosidades e restos de comida da prótese.
- Limpar a prótese com o Provox Flush (irrigador) também ajuda a limpar detritos e mucosidades da prótese, o que contribui para o aumento da vida útil do dispositivo. **Nota:** O Provox Flush destina-se a ser utilizado apenas por pacientes que, após avaliação do profissional de saúde que prescreve o dispositivo, tenham demonstrado serem capazes de compreender e de seguir, de forma consistente, as instruções de utilização sem a supervisão de um profissional de saúde.
- Algumas medidas dietéticas, como a ingestão diária de iogurte ou leiteiro contendo lactobacilos, são consideradas úteis contra o crescimento excessivo do fungo Candida.

Consulte informações detalhadas sobre como limpar a Provox Vega nas instruções de utilização de cada acessório.

4. Informações adicionais

4.1 Compatibilidade com RM, raios X e radioterapia

As próteses fonatórias Provox Vega foram testadas e determinou-se que são compatíveis com exames de ressonância magnética (testadas até 3 Tesla), raios X e radioterapia (testadas até 70 Gy). As próteses podem permanecer na punção TE durante o exame/sessão de terapia. Observe que a sede da válvula radiopaca é visível na radiografia.

4.2 Vida útil do dispositivo

Dependendo das circunstâncias biológicas individuais, a vida útil do dispositivo varia, não sendo possível prever a integridade do dispositivo durante um período de tempo mais longo. O material do dispositivo será afetado por, por exemplo, bactérias e fungos, onde a integridade estrutural do dispositivo irá, eventualmente, deteriorar-se.

Testes realizados em laboratório, simulando a utilização durante um período de teste de 12 meses, demonstram que, na ausência de bactérias e fungos, o dispositivo irá manter a respetiva integridade estrutural durante este período de tempo. O dispositivo não foi testado para uma utilização superior a 12 meses. A utilização para além deste limite cabe exclusivamente ao profissional responsável pela prescrição.

4.3 Compatibilidade com medicação antifúngica

Os testes de laboratório mostram apenas uma pequena influência negativa na função da prótese fonatória Provox Vega e respetivos componentes, quando é utilizada a seguinte medicação antifúngica: niastina, fluconazol, miconazol.

5. Comunicação de incidentes

Tenha em atenção que qualquer incidente grave que tenha ocorrido, relacionado com o dispositivo, deve ser comunicado ao fabricante e à autoridade nacional do país onde o utilizador e/ou o paciente residem.

ÍSLENSKA

Provox® Vega™

1. Lýsandi upplýsingar

1.1 Fyrirhuguð notkun

Provox Vega talventillinn er sæfður einnota inniliggjandi talventill sem ætlaður er til raddendurhæfingar eftir að barkakýlið hefur verið fjarlæggt með skurðaðgerð (barkakýlislám). Sjúklingurinn hreinsar talventilinn á meðan hann er á sínum stað.

Provox Insertion System ísetningarkerfið er sæft einnota tæki sem ætlað er til framvirkrar skiptingar á Provox Vega talventlinum. Læknir eða þjálfaður sérfræðingur framkvæmir þessa skiptingu í samræmi við staðbundnar eða landsbundnar leiðbeiningar.

Provox Insertion System er ekki ætlað til ísetningar á talventli í nýgert op.

1.2 Lýsing á tækinu

Almennt

Provox Vega er einstefnuventill sem heldur opinu á milli barka og vélinda opnu fyrir tal (TE-opinu) og dregur úr hættunni á að vökví og fæða berist inn í barkann. Provox Vega talventillinn er ekki varanleg ígræðsla og þarfnast því reglubundinnar út skiptingar. Ventillinn (mynd 1) er fánlegur með mismunandi þvermáli og í nokkrum lengdum. Tækið er gert úr læknisfræðilegu silíkongúmmíi og flúorplasti.

Provox Vega pakkning

Provox Vega pakkningin inniheldur eftirfarandi hluti:

- 1 Provox Vega forsamsettur talventill í einnota ísetningarkerfi, sæfður (mynd 2)
- 1 Provox Brush í stærð sem svarar til talventilsins, ósæfður
- 1 Provox Vega handbók fyrir lækna
- 1 Provox Vega handbók fyrir sjúklinga
- 1 Provox Brush notkunarleiðbeiningar fyrir burstu

1.3 FRÁBENDINGAR

Engar frábendingar eru þekktar hvað varðar notkun eða skipti á Provox Vega talventli hjá sjúklingum sem þegar nota ventil til raddendurhæfingar.

1.4 VARNADARORÐ

- **Tilfærsla eða útpressun á Provox Vega talventlinum** úr TE-opinu með eftirfylgjandi innsogi, ásvelgingu eða vefjaskemmdum getur átt sér stað. Aðskotahlutur í öndunarvegi getur valdið alvarlegum fylgikvillum eins og bráðum öndunarerfiðleikum og/eða öndunarstoppi.
- **Veljið rétta stærð af ventli.** Of stór ventill getur valdið vefjadrepi og útpressun.
- **Ráðleggið sjúklingnum að hafa tafarlaust samband við lækni** ef einhver merki eru um bjúg í vefjum og/eða bólgu/sýkingu.
- **Ráðleggið sjúklingnum að hafa samband við lækni** ef leka fer í gegnum eða í kringum talventilinn. Leki getur valdið ásvelgingarlungnabólgu.
- **Velja skal barkaslöngur eða barkaraufarhnappa** með hentugri lögun sem ekki þrýsta á ventilinn eða festast í barkakraga ventilsins við ísetningu og fjarlægingu barkaslöngunnar eða barkaraufarhnappsins, sé slíkt notað. Slíkt getur valdið alvarlegum vefjaskemmdum og/eða inntöku ventilsins af slyzni.
- **Ráðleggið sjúklingnum að nota eingöngu upprunalega Provox fylgihluti** í samsvarandi stærð (Brush, Flush, Plug) til viðhalds og að forðast alla aðra meðhöndlun.
- **Endurnýting og endurvinnsla** getur valdið víxlmengun og skemmdum á tækinu, sem gæti valdið sjúklingnum skaða.

1.5 VARÚÐARRÁÐSTAFANIR.

- Metið vandlega alla sjúklinga með blæðingarsjúkdóma eða sem fá blóðþynningarmeðferð með tilliti til blæðingarhættu fyrir ísetningu eða skipti ventilsins.
- Skoðið pakkninguna fyrir notkun. Ekki má nota vöruna ef pakkningin er skemmd eða opin.
- Notið alltaf smitgátartækni við meðhöndlun á ventlinum til að draga úr sýkingarhættu.

2. Notkunarleiðbeiningar

2.1 Val á stærð talventilsins

Velja þarf nýjan ventil með rétt þvermál leggs og í réttri lengd

Tryggið að notaður sé Provox Vega talventill með rétt þvermál leggs og í réttri lengd. Provox Vega er fánlegur með mismunandi þvermál leggs og í nokkrum lengdum.

• Val á þvermáli leggs

Læknirinn þarf að ákveða þvermál ventilsins sem er viðeigandi fyrir sjúklinginn.

Ef valið þvermál er stærra en þvermál fyrri ventilsins, þarf að víkka opið með Provox Dilator víkkara sem samsvarar þvermáli ventilsins sem koma á fyrir.

Ef ventill með minna þvermál leggs er settur í þarf að fylgjast með og tryggja að opið dragist saman í viðeigandi þvermál.

• Val á lengd leggs

Til að velja rétta lengd má nota núverandi ventil sem mælitæki.

Ef of mikið bil (þ.e. 3 mm/~0,12 tommur, eða meira) er á milli barkakraga gamla ventilsins og slímhúðarinnar skal nota styttri ventil. Ef ventillinn situr of þétt, skal nota lengri ventil.

2.2 Undirbúningur

(myndir 3-6)

Staðsetning talventils

1. Tryggðu að talventillinn sé rétt staðsettur á ísetningarpinnanum, vel festur og að endi pinnans sé staðsettur í bláa hringnum á talventlinum (mynd 3).

Brjóttu barkakragann saman

2. Tryggðu að ísetningarpinninn sé rétt staðsettur í samanbrotstækini (pinninn á að smella inn í samanbrotstækið).
3. Þrýstu samanbrotstækini saman með tveimur fingrum (mynd 4)
4. Tengdu hleðsluslönguna á meðan samanbrotstækini er haldið lokuðu og snúðu hleðsluslöngunni þar til hún læsist á sínum stað (mynd 5). (Á ekki við um ísetningu hylkis)

Hleðsla

5. Ýttu ísetningarpinnanum áfram þar til talventillinn flúttar við sýnilega hringinn á hleðsluslöngunni (mynd 6). (Á ekki við um ísetningu hylkis)

Gamli talventillinn fjarlægður

6. Fjarlægðu núverandi (gamla) ventilinn úr TE-opinu með því að draga hann út með ótenntri æðatöng. Að öðrum kosti, samkvæmt ákvörðun læknisins, má taka í barkakraga ventilsins með töng og skera hann af. Afgangnum af ventlinum er síðan ýtt inn í vélindað þannig að hann fari í gegnum meltingarveginn. Taka skal tillit til sögu sjúklingsins um sjúkdóma í meltingarvegi áður en þessi aðferð er notuð.

Opið undirbúið (valfrjálst)

7. Víkka má opið til að undirbúa það fyrir ísetningu talventilsins. Þetta er yfirleitt ekki nauðsynlegt en getur auðveldað ísetningu hjá sjúklingum með hlykkjót eða þröngt op sem lokast auðveldlega.

2.3 Ísetning, framvirk skiptingaraðferð

Nota má fjórar aðferðir til að koma Provox Vega talventlinum fyrir með Provox Insertion System. Val á aðferð fer eftir ákvörðun læknisins.

2.3.1 Ísetning á kerfi: Allt ísetningarkerfið er notað.

2.3.2 Ísetning á slöngu: Samanbrotstækið er fjarlægt fyrir ísetningu.

2.3.3 Ísetning á yfirskoti: Öllum talventlinum er komið fyrir í vélindanu og hann er síðan dreginn í fyrirhugaða stöðu.

2.3.4 Ísetning á hylki: Talventillinn er settur í Provox Capsule hylki fyrir ísetningu.

2.3.1 Aðferð 1: Ísetning á kerfi

1. Ísetning í TE-opið

Haltu Provox Insertion System með hleðsluslöngunni. Stingdu endanum á hleðsluslöngunni inn í opið. Haltu áfram með varúð ef þú finnur fyrir viðnámi. Ef þú finnur fyrir viðnámi, getur útvíkkun og/eða smurning auðveldað ísetninguna.

2. Ísetning talventilsins

Haltu hleðsluslöngunni stöðugri með annarri hendinni og ýttu á ísetningarpinnann með hinni hendinni þar til örvarnar á yfirborði fjarlæga gripsins flúttu við neðri brún samanbrotstækisins (mynd 7). Nú er vélindakragi talventilsins ósamanbrotinn í vélindanu.

3. Slepptu talventlinum

Dragðu hleðsluslönguna og samanbrotstækið saman beint út úr opinu. Talventillinn verður eftir í opinu, ennþá vel festur við ísetningarpinnann.

4. Ferlinu lokið

Eftir ísetningu þarf að ljúka ferlinu eins og lýst er í kafla 2.5 hér fyrir neðan.

2.3.2 Aðferð 2: Ísetning slöngu

Til að auka sýnileika má fjarlægja samanbrotstækið þegar ventlinum hefur verið ýtt inn í hleðsluslönguna.

Athugið: Mikilvægt er að nota Provox Insertion System alltaf með meðfylgjandi samanbrotstæki þegar ventlinum er komið fyrir, til að tryggja rétt brot á vélindakraganum.

1. Samanbrotstækið fjarlægt

Fjarlægðu samanbrotstækið með því að opna og aftengja það frá hleðsluslöngunni (mynd 8).

2. Ísetning í TE-opið

Haltu Provox Insertion System með hleðsluslöngunni. Stingdu endanum á hleðsluslöngunni inn í opið. Haltu áfram með varúð ef þú finnur fyrir viðnámi. Ef þú finnur fyrir viðnámi, getur útvíkkun og/eða smurning auðveldað ísetninguna.

3. Ísetning talventilsins

Ýttu á ísetningarpinnann með annarri hendinni þar til örvarnar á yfirborði nærlæga gripsins flúttu við hleðsluslönguna (mynd 9). Nú er vélindakragi talventilsins ósamanbrotinn í vélindanu.

4. Slepptu talventlinum

Haltu hleðsluslöngunni með annarri hendinni og ísetningarpinnanum með hinni hendinni. Dragðu bæði hleðsluslönguna og ísetningarpinnann aftur á bak þar til þú finnur að vélindakraginn hefur náð framhluta vélindaveggsins. Slepptu síðan ísetningarpinnanum og dragðu hleðsluslönguna beint út úr opinu. Þetta losar barkakragann.

Athugið: Ef brotin á barkakraganum losna í vélindanu eða opinu (yfirskot af slynsni), skaltu grípa í barkakragann með ótenntri æðatöng og draga/snúa talventlinum á sinn stað.

5. Ferlinu lokið

Eftir ísetningu þarf að ljúka ferlinu eins og lýst er í kafla 2.5 hér fyrir neðan.

2.3.3 Aðferð 3: Ísetning með yfirskoti

Yfirskot á Provox Vega talventli er stundum framkvæmt til að tryggja fullkomna staðsetningu vélindakragans í erfiðum TE-opum.

1. Samanbrotstækið fjarlægt (valkvætt)

Eftir að ventlinum hefur verið ýtt inn í hleðsluslönguna skaltu fjarlægja samanbrotstækið með því að opna og aftengja það frá hleðsluslöngunni (mynd 8).

2. Ísetning í TE-opið

Haltu Provox Insertion System með hleðsluslöngunni. Stingdu endanum á hleðsluslöngunni inn í opið. Haltu áfram með varúð ef þú finnur fyrir viðnámi. Ef þú finnur fyrir viðnámi, getur útvíkkun og/eða smurning auðveldað ísetninguna.

3. Ísetning talventilsins

Haltu hleðsluslöngunni stöðugri með annarri hendinni og ýttu á ísetningarpinnann með hinni hendinni þar til hann er kominn framhá yfirborði nærlæga gripsins (mynd 10). Nú er talventillinn kominn inn í vélindað (mynd 11).

Ef ísetning með yfirskoti er framkvæmd með samsettu samanbrotstæki skaltu ýta ísetningarpinnanum framhá yfirborði fjarlæga gripsins. Núna er talventillinn kominn inn í vélindað (mynd 12).

4. Slepptu talventlinum

Dragðu hleðsluslönguna beint út úr opinu. Ventillinn verður eftir í vélindanu, ennþá fastur við ísetningarpinnann. Gríptu í barkakragann með ótenntri æðatöng og dragðu/snúðu talventlinum á sinn stað.

5. Ferlinu lokið

Eftir ísetningu þarf að ljúka ferlinu eins og lýst er í kafla 2.5 hér fyrir neðan.

2.3.4 Aðferð 4: Ísetning hylkis

Fyrirhuguð notkun

Provox Capsule hylki er einnota aukabúnaður sem lækni getur notað til framvisandi ísetningar hefðbundins talventils í ástungu milli barka og vélinda hjá sjúklingi sem gengist hefur undir barkakýlisnám.

Lýsing á tæki

Provox Capsule hylkið er gert úr vatnsleysanlegu efni sem unnið er úr plöntum, og kemur í stærðum sem henta fyrir þrjár mismunandi stærðir talventla, 17, 20 og 22,5 Fr.

VARNAÐARORÐ

- Gangið ávallt úr skugga um að talventillinn sé brotinn rétt saman og hafi verið settur með réttum hætti inn í Provox Capsule hylkið fyrir ísetningu. Ef Provox Capsule hylkið losnar of snemma getur það mögulega borist í öndunarveg. Hafið í huga að smurefni geta truflað festinguna hylkisins.
- Ekki má nota Provox Capsule hylki ef grunur leikur á að það hafi mengast.
- Ekki má nota Provox Capsule hylki ef þakkingin eða hylkin virðast hafa skemmt.
- Gangið úr skugga um að talventillinn virki sem skyldi eftir að honum hefur verið komið fyrir inni í TE-opinu. Fylgið ávallt öryggisreglunum sem tilgreindar eru í notkunarleiðbeiningum talventilsins eftir ísetningu.

VARÚÐARREGLUR

- Ekki má nota beitta hluti til að koma vélindakraganum fyrir inni í Provox Capsule hylkinu, þar sem það getur skemmt talventilinn.
- Notið aðeins Provox Capsule hylki með sama þvermáli og talventillinn, eða einni stærð ofar.

Nota má samanbrotstækið í Provox Insertion System til að brjóta saman vélindakragann í hefðbundnum Provox Vega talventli í Provox Capsule hylki*. Í þessari aðferð er hleðsluslangan ekki notuð.

1. Ísetning ventils í Provox Capsule hylki

Fargið langa hluta Provox Capsule hylkisins, það er stutti hlutinn sem notaður er til ísetningar. Þrýstið samanbrotstækinu saman með tveimur fingrum og setjið hylkið í op samanbrotstækisins (mynd 13). Halið samanbrotstækinu saman á meðan hylkinu er haldið niðri með vísifingri (mynd 14). Annar valkostur er að nota Provox TwistLock til að halda samanbrotstækinu saman. Ýtið ísetningarpinnanum þétt fram á við, þetta hleður vélindakraga talventilsins inn í hylkið.

2. Athugið rétta hleðslu

Talventillinn er nú hlaðinn inn í Provox Capsule hylkið og hægt er að taka samanbrotstækið frá ísetningarpinnanum. Staðfestið að vélindakraginn sé inni í hylkinu (mynd 15). Ef talventillinn er ekki rétt brotinn saman þarf að endurtaka hleðsluferlið með nýju Provox Capsule hylki. Gangið úr skugga um að ól talventilsins sé tryggilega fest við ísetningarpinnann sem ætlaður er til að setja talventilinn inn í opið.

3. Fjarlægið gamla talventilinn og undirbúið TE-opið (sjá kafla 2.2, atriði 6 og 7).

4. Setjið Provox Capsule hylkið inn í opið.

Haldið talventlinum í alveg innsettri stöðu þar til Provox Capsule hylkið er búið að leysast upp og vélindakraginn hefur opnast alveg. Togið varlega í ól talventilsins til að tryggja að hann sé í réttri stöðu.

5. Sleppið talventlinum

Fjarlægið ísetningarpinnann af talventlinum. Talventillinn verður eftir í opinu.

6. Ferlinu lokið

Eftir ísetningu þarf að ljúka ferlinu eins og lýst er í kafla 2.5 hér fyrir neðan.

* Ekki fánlegt í öllum löndum.

2.4 Samsetning og endurhleðsla á Provox Insertion System

Ef fyrsta tilraunin til að setja Provox Vega inn í TE-opið mistókst er mögulegt að endurhlaða talventilinn inn í Provox Insertion System.

Staðsetning talventils

1. Festu talventilinn þannig að barkahliðin vísi niður ofan á ísetningarpinnanum.
2. Festu öryggisólina með því að stinga henni í gegnum festiraufina frá hvorri hlið.
3. Tryggðu að talventillinn sé rétt staðsettur á ísetningarpinnanum, vel festur og að endi pinnans sé staðsettur í bláa hringnum á talventlinum (mynd 3).

Samanbrotstækið tengt

4. Stingdu ísetningarpinnanum í gegnum opið á samanbrotstækinu þar til hann smellur á sinn stað. Togaðu í pinnann þangað til pinninn grípur í samanbrotstækið (mynd 16). Provox Insertion System er nú tilbúið til undirbúnings. Haltu áfram undirbúningnum eins og lýst er í kafla 2.2 hér fyrir ofan.

VARÚÐ: Ekki endurhlaða oftan en tvisvar. Ef Provox Vega talventilinn sýnir merki um skemmdir skaltu ekki nota talventilinn.

2.5 Ferlinu lokið

Eftir ísetningu:

Tryggðu að ventillinn passi vel

1. Tryggðu rétta staðsetningu talventilsins með því að snúa og toga varlega í ísetningarpinnann (mynd 17). Ventillinn er í réttri stöðu þegar öryggisólin vísar niður.

Prófaðu rétta virkni

2. Burstaðu Provox Vega með Provox Brush. Prófaðu rétta virkni ventilsins með því að biðja sjúklinginn um að tala og með því að fylgjast með því hvort ventillinn leki á meðan sjúklingurinn drekkur vatn (mynd 18).

Klipptu öryggisólina

- Eftir að tryggt hefur verið að talventlinum hafi verið komið fyrir á réttan hátt skaltu klippa öryggisólina þannig að hún flútti við barkakragann (mynd 19). Provox Vega talventillinn er nú tilbúinn til notkunar.

2.6 Förgun

Ávallt skal fylgja heilbrigðiskröfum sem og landsbundnum kröfum varðandi lífsýnahættu við förgun á notuðum lækningatækjum.

3. Mikilvægar upplýsingar fyrir sjúklinga

3.1 Almennar upplýsingar

Tryggðu að sjúklingurinn skilji að hann þurfi að hafa samband við lækinn ef um er að ræða:

- Leka í gegnum eða í kringum ventilinn (hósti og/eða breyting á lit slíms).
- Talerfiðleika (aukun áreynsla og/eða röddin hljómar þvingaðri).
- Merki um bólgu eða breytingar koma fram í vefjum í kringum opið eða barkaraufina (verkur, roði, hiti, bólga, vottur af blóði á bursta eftir burstun).

Láttu sjúklinginn einnig vita að:

- Hugsanlegt er að vottur af blóði sé til staðar í hráka eftir skipti á ventli. Það getur komið frá holdgunarvef á brúnum TE-opsins.
- Provox Vega Plug má nota til að stöðva tímabundið leka í gegnum talventilinn.
- Mælt er með talþjálfun hjá þjálfuðum heilbrigðisstarfsmanni til að ná fram ákjósanlegu raddhljóði, reiprennandi tali og ákjósanlegum skiljanleika.

3.2 Viðhald ventla

Leiðbeindu sjúklingnum um hvenær og hvernig hann eigi að hreinsa Provox Vega talventilinn. Hreinsun á ventlinum a.m.k. tvisvar á dag getur hjálpað til við að lengja líftíma tækisins.

VARÚÐ: Notaðu eingöngu upprunalega Provox fylgihluti sem ætlaðir eru til notkunar með Provox Vega við hreinsun á ventlinum.

- Burstun ventsilsins með Provox Brush tvisvar á dag hjálpar til við að fjarlægja slím og matarleifar úr ventlinum.
- Skolun ventsilsins með Provox Flush hjálpar einnig til við að hreinsa leifar og slím úr ventlinum sem getur hjálpað til við að lengja líftíma tækisins.
Athugið: Provox Flush er eingöngu ætlað til notkunar hjá sjúklingum sem hafa, samkvæmt mati læknisins sem ávísar tækinu, sýnt fram á getu til að skilja og fylgja stöðugt notkunarleiðbeiningum án eftirlits heilbrigðisstarfsmanns.
- Talið er að tiltekna matarvenjur, eins og dagleg inntaka á jógúrt eða súrmjólk sem inniheldur mjólkursýrugerla, gagnist vel gegn óhóflegum vexti hvítsveppa.

Nánari upplýsingar um hvernig hreinsa á Provox Vega er að finna í leiðbeiningum fyrir hvern fylgihlut.

4. Frekari upplýsingar

4.1 Samhæfi við segulómun, myndgreiningu og geislameðferð

Provox Vega-talventlar hafa verið prófaðir og reynst samhæfir við segulómun (prófað upp að 3 Tesla), myndgreiningu og geislameðferð (prófað upp að 70 Gy). Skilja má ventlana eftir í TE-opinu meðan á rannsókn/meðferð stendur. Athugið að geislaþétta ventsilsætið er sýnilegt á röntgenmynd.

4.2 Endingartími tækis

Líftími tækisins er mismunandi og er háður einstaklingsbundnum lífræðilegum þáttum, því er ekki hægt að spá fyrir um endingu búnaðarins yfir lengra tímabil. Efnið í tækinu verður fyrir áhrifum meðal annars af bakteríum og gersveppum, sem mun að lokum hafa áhrif á heilleika tækisins.

Prófanir á eftirlíkingu af notkun á 12 mánaða prófunartíma sýna að tækið muni halda heilleikanum á þessu tímabili þegar baktería og gersveppir eru ekki til staðar. Tækið hefur ekki verið prófað fyrir notkun lengur en í 12 mánuði. Notkun utan þessara marka er samkvæmt ákvörðun ávísandans.

4.3 Samhæfi með sveppalyfjum

Prófanir sýna aðeins minniháttar neikvæð áhrif á virkni Provox Vega talventsilsins og íhlutanna við notkun á eftirfarandi sveppalyfjum: Nystatín, Flúkónazól, Míkónazól.

5. Tilkynningaskylda

Vinsamlega athugið að tilkynna skal öll alvarleg atvik sem upp koma í tengslum við notkun tækisins til framleiðanda, sem og til yfirvalda í því landi þar sem notandi og/eða sjúklingur hefur búsetu.

Provox® Vega™

1. Kirjeldav teave

1.1 Kavandatud kasutus

Provox Vega hääleprotees on steriilne ühekordselt kasutatav sisemine hääleprotees, mis on ette nähtud hääle taastamiseks pärast kõri kirurgilist eemaldamist (larüngektomia). Patsient peab hääleproteesi ise puhastama ja seade peab jääma *in situ*.

Provox Insertion System on steriilne ühekordselt kasutatav seade, mis on ette nähtud Provox Vega hääleproteesi anterograadseks asendamiseks. Seadme asendab raviarst või koolitatud meditsiinipersonal vastavalt kohalikele ja riiklikele eeskirjadele.

Provox Insertion System pole ette nähtud hääleproteesi sisestamiseks äsja tehtud punktsioonikohale.

1.2 Seadme kirjeldus

Üldist

Provox Vega on ühesuunaline klapp (protees), mis hoiab TE-punktsioonikoha avatuna rääkimise jaoks ja samal ajal vähendab vedelike ja toidu trahheasse sisenemise riski. Provox Vega hääleprotees pole püsiv implantaat ja seda tuleb aeg-ajalt vahetada. Protees (joonis 1) on saadaval erineva läbimõõdu ja pikkusega. Valmistatud meditsiinis kasutamiseks lubatud silikoonkummist ja fluoroplastist.

Provox Vega pakett

Provox Vega pakett sisaldab järgmist.

- 1 Provox Vega hääleprotees, eelpaigaldatud ühekordse kasutusega süsteemi Insertion System, steriilne (joonis 2)
- 1 Provox Brush, mille suurus vastab hääleproteesile, pole steriilne
- 1 Provox Vega arstijuhend
- 1 Provox Vega patsiendijuhend
- 1 Provox Brushi kasutusjuhend

1.3 VASTUNÄIDUSTUSED

Patsientide seas, kes kasutavad hääle taastamiseks proteesi, pole teadaolevaid vastunäidustusi Provox Vega hääleproteesi kasutamiseks või vahetamiseks.

1.4 HOIATUSED

- **Provox Vega hääleproteesi lahtitulek või kokku surumine** TE-punktsioonikohast ja sellele järgnev allaneelamine, aspiratsioon või kudede kahjustus. Võõrkeha hingamisteedes võib põhjustada raskeid tüsistusi (nt äge respiratoorne distress ja/või hingamise seiskumine) ning meditsiinitöötaja peab selle eemaldama.
- **Valige õige suurusega protees.** Liiga tihedalt istuv protees võib põhjustada kudede nekroosi või ekstrusiooni.
- **Paluge patsiendil arstiga konsulteerida** kohe, kui on märgata kudede ödeemi ja/või põletikku/nakkust.
- **Paluge patsiendil arstiga konsulteerida**, kui esineb leke hääleproteesis või selle ümber. Leke võib põhjustada aspiratsioonipneumooniat.
- **Kasutamise korral valige Lary Tube või Lary Button**, mille kuju on sobiv ja mis ei suru proteesile ega jää Lary Tube või Lary Button eemaldamisel proteesi trahhea ääriku külge kinni. Selle tulemuseks võib olla kudede raske vigastus ja/või proteesi juhuslik allaneelamine.
- **Paluge patsiendil kasutada ainult Provoxi originaal-lisatarvikuid** (Brush, Flush, Plug), mis on hooldamiseks õige suurusega ja millega välditakse muud laadi manipulatsioone.
- **Korduskasutamine ja -töötlemine** võivad põhjustada ristsaastumist ja seadme kahjustusi, mis võivad patsienti kahjustada.

1.5 ETTEVAATUSABINÕUD.

- Hoolikalt tuleb hinnata patsiente, kellel on hüübimishäired või kes saavad antikoagulantravi, et vältida verejooksuohu enne hääleproteesi asetamist või vahetamist.
- Enne kasutamist kontrollige pakendit. Kui pakend on kahjustunud või avatud, ärge toodet kasutage.
- Nakkusohu vältimiseks kasutage proteesi käsitsemisel alati aseptilisi meetodeid.

2. Kasutusjuhised

2.1 Hääleproteesi suuruse valimine

Asendusproteesi õige läbimõõdu ja pikkuse valimine

Veenduge, et kasutate õige läbimõõdu ja pikkusega Provox Vega hääleproteesi. Provox Vega on saadaval erinevate läbimõõtude ja mitme pikkusega.

• Hääleproteesi läbimõõdu valimine

Raviarst peab määrama patsiendi jaoks õige läbimõõduga proteesi.

Kui valitud läbimõõt on eelmisest proteesist suurema läbimõõduga, tuleb Provox Dilatori abil trakti laiendada vastavalt sisestatava proteesi läbimõõdule.

Kui sisestatakse väiksema läbimõõduga protees, tuleb jälgida ja veenduda, et punktsioonikoht tõmbub kokku õige läbimõõdueni.

- **Hääleproteesi pikkuse valimine**

Õige pikkuse valimiseks võite kasutada praegust proteesi mõõteseadmena.

Kui eelmise proteesi trahhea ääriku ja limaskesta seina vahel on liiga palju ruumi (s.t 3 mm või rohkem), tuleb kasutada lühemat proteesi. Kui protees istub liiga tihedalt, tuleb kasutada pikemat proteesi.

2.2 Ettevalmistus

(joonised 3–6)

Hääleproteesi asend

1. Veenduge, et hääleprotees on õigesti ja kindlalt kinnitatud sisestusvardale ja varda ots ulatub hääleproteesi sinise rõngani (joonis 3).

Söögitoru ääriku kokkusurumine

2. Kontrollige, kas sisestusvarras on korralikult sisestatud kokkusurumisvahendisse (varras tõmmatakse kokkusurumisvahendisse).
3. Pigistage kokkusurumisvahend kahe sõrmega kokku (joonis 4).
4. Kinnitage laadimistoru ja samal ajal hoidke kokkusurumisvahend suletuna ja pöörake laadimistoru, kuni see lukustub oma kohale (joonis 5). (Kapsli sisestamisel pole rakendatav.)

Laadimine

5. Lükake sisestusvarrast ettepoole, kuni hääleprotees on joondatud nähtava rõngaga laadimistorul (joonis 6). (Kapsli sisestamisel pole rakendatav.)

Eelmise hääleproteesi eemaldamine

6. Eemaldage praegune protees TE-punktsioonikohast. Selleks tõmmake see välja anatoomiliste klemmidega. Teise võimalusena võib arsti äranägemisel proteesi trahhea äärikust võtta kinni pintsettidega ja selle ära lõigata. Ülejäänud protees lükatakse seejärel söögitorusse selle väljutamiseks seedekulgla kaudu. Enne selle meetodi kasutamist tuleb arvesse võtta patsiendi sooltehaiguste anamnees.

Punktsioonikoha ettevalmistamine (valikuline)

7. Hääleproteesi sisestamise ettevalmistamiseks võib punktsioonikohta laiendada. Tavaliselt pole see vajalik, kuid see võib lihtsustada sisestamist patsientidel, kellel on nurga all või kitsad punktsioonikohad, mis kergesti kokku vajuvad.

2.3 Sisestamine, anterograadne vahetamine

Provox Vega hääleproteesi sisestamiseks süsteemiga Provox Insertion System saab kasutada nelja meetodit. Meetodi valib arst oma äranägemisel.

- 2.3.1 Süsteemi sisestamine: kasutatakse kogu sisestussüsteemi.
- 2.3.2 Toru sisestamine: kokkupanekutööriist eemaldatakse enne sisestamist.
- 2.3.3 Üleulatusega sisestamine: kogu hääleprotees lükatakse söögitoru ja seejärel tõmmatakse tagasi ettenähtud asendisse.
- 2.3.4 Kapsli sisestamine: hääleprotees paigutatakse enne sisestamist kapslisse Provox Capsule.

2.3.1 meetod Süsteemi sisestamine

1. **TE-punktsioonikohta sisenemine**
Hoidke süsteemi Provox Insertion System laadimistoruga. Sisenege punktsioonikohta laadimistoru otsaga. Jätkake ettevaatlikult, kui tunnete takistust. Takistuse korral võib sisestamist hõlpsamaks muuta laiendamine ja/või lubrikant.
2. **Hääleproteesi sisestamine**
Hoidke laadimistoru stabiilselt ühe käega ja lükake sisestusvarrast teise käega, kuni nooled distaalsel haardepinnal ühtivad kokkupanekutööriista alumise servaga (joonis 7). Siis peab hääleproteesi söögitoru äärik olema söögitorus täielikult avanenud.
3. **Hääleproteesi vabastamine**
Tõmmake laadimistoru ja kokkusurumisvahend korraga otse punktsioonikohast välja. Hääleprotees jääb punktsioonikohta ja on ikka veel tugevasti sisestusvarda küljes.
4. **Toimingu lõpuleviimine**
Pärast sisestamist viige toiming lõpule vastavalt kirjeldusele jaotises 2.5.

2.3.2 meetod Toru sisestamine

Nähtavuse parandamiseks saab kokkusurumisvahendi eemaldada, kui protees on laadimistorusse lükatud.

Märkus. Söögitoru ääriku õigeks avanemiseks on proteesi laadimisel alati oluline kasutada kinnitatud kokkusurumisvahendiga süsteemi Provox Insertion System.

1. **Kokkusurumisvahendi eemaldamine**
Kokkusurumisvahendi eemaldamiseks vabastage ja lahutage see laadimistorust (joonis 8).
2. **TE-punktsioonikohta sisenemine**
Hoidke süsteemi Provox Insertion System laadimistoruga. Sisenege punktsioonikohta laadimistoru otsaga. Jätkake ettevaatlikult, kui tunnete takistust. Takistuse korral võib sisestamist hõlpsamaks muuta laiendamine ja/või lubrikant.
3. **Hääleproteesi sisestamine**
Lükake sisestusvarrast teise käega, kuni nooled proksimaalsel haardepinnal on kohakuti laadimistoruga (joonis 9). Siis peab hääleproteesi söögitoru äärik olema söögitorus täielikult avanenud.
4. **Hääleproteesi vabastamine**
Hoidke ühe käega laadimistoru ja teise käega sisestusvarrast. Tõmmake laadimistoru ja sisestusvarrast tagasi, kuni tunnete, et söögitoru äärik on jõudnud söögitoru

eesmise seinani. Seejärel laske sisestusvarras lahti ja tõmmake laadimistoru punktsioonikohast otse välja. See vabastab trahhea ääriku.

Märkus. Kui trahhea äärik avaneb söögitoru või punktsioonikoha sees (kavatsematu üleulatus), haarake trahhea äärikust anotoomilise klemmiga ja tõmmake/pöörake hääleprotees kohale.

5. Toimingu lõpuleviimine

Pärast sisestamist viige toiming lõpule vastavalt jaotises 2.5 kirjeldatule.

2.3.3 meetod Üleulatusega sisestamine

Provox Vega hääleprotees sisestatakse mõnikord üleulatusega, et tagada söögitoru ääriku täielik sisenemine keeruliste TE-punktsioonikohtade korral.

1. Kokkusurumisvahendi eemaldamine (valikuline)

Kui protees on laadimistorusse lükatud, eemaldage kokkusurumisvahend selle vabastamise ning lahutamiseiga laadimistorust (joonis 8).

2. TE-punktsioonikohta sisenemine

Hoidke süsteemi Provox Insertion System laadimistoruga. Sisenege punktsioonikohta laadimistoru otsaga. Jätke ettevaatlikult, kui tunnete takistust. Takistuse korral võib sisestamist hõlpsamaks muuta laiendamine ja/või lubrikant.

3. Hääleproteesi sisestamine

Hoidke laadimistoru stabiilselt ühe käega ja lükake sisestusvarrast teise käega üle proksimaalse haardepinna (joonis 10). Siis on hääleprotees söögitorru täielikult sisestatud (joonis 11).

Kui üleulatusega sisestamine on läbi viidud kokkupandud kokkusurumisvahendiga, lükake sisestusvarras üle distaalse haardepinna. Siis on hääleprotees söögitorru täielikult sisestatud (joonis 12).

4. Hääleproteesi vabastamine

Tõmmake laadimistoru otse punktsioonikohast välja. Protees jääb söögitorru ja on ikka veel tugevasti sisestusvarda küljes. Haarake trahhea äärikust anotoomilise klemmiga ja tõmmake/pöörake hääleprotees oma kohale.

5. Toimingu lõpuleviimine

Pärast sisestamist viige toiming lõpule vastavalt jaotises 2.5 kirjeldatule.

2.3.4 meetod Kapsli sisestamine

Kavandatud kasutus

Provox Capsule on ühekordselt kasutatav tarvik meditsiinitöötajale hariliku hääleproteesi anteroograadseks sisestamiseks larüngektoomia läbinud patsiendi trahheoosofageaalsesse punktsiooni.

Seadme kirjeldus

Provox Capsule kapslid on valmistatud vees lahustuvast taimset päritolu materjalist ja suurustes, mis sobivad kolme erineva läbimõõduga hääleproteesidele: 17, 20 ja 22,5 Fr.

HOIATUSED

- Enne sisestamist veenduge alati, et hääleprotees oleks õigesti kokku pakitud ja kapslisse Provox Capsule asetatud. Kui Provox Capsule tuleb liiga vara lahti, võidakse see aspireerida. Arvestage, et määrained võivad takistada kapsli kinnitumist.
- Ärge kasutage kapslit Provox Capsule saastumiskahtluse korral.
- Ärge kasutage kapslit Provox Capsules, kui pakendil või kapslil on märke kahjustustest.
- Pärast hääleproteesi sisestamist TE-punktsiooni veenduge, et hääleprotees toimiks korralikult. Pärast sisestamist järgige alati hääleproteesi kasutusjuhendis toodud ohutusalasid ettevaatusabinõusid.

ETTEVAATUSABINÕUD

- Ärge kasutage teravaid esemeid söögitoru ääriku sisestamiseks kapslisse Provox Capsule, kuna see võib hääleproteesi kahjustada.
- Kasutage kapslit Provox Capsule, mille läbimõõt on hääleproteesi läbimõõduga sama või sellest ühe astme võrra suurem.

Süsteemi Provox Insertion System kokkusurumisvahendit saab kasutada standardse Provox Vega hääleproteesi kokkusurumiseks kapslisse Provox Capsule*. Selleks toiminguks laadimistoru ei kasutata.

1. Proteesi sisestamine kapslisse Provox Capsules

Visake ära kapsli Provox Capsule pikk osa ja kasutage sisestamiseks lühikese osa. Pigistage kahe sõrmega kokkusurumisvahend kokku ja asetage kapsel kokkusurumisvahendi avasse (joonis 13). Hoidke kokkusurumisvahendit koos ja hoidke kapslit all nimetissõrmega (joonis 14). Teise variandina võite kokkusurumisvahendi kooshoidmiseks kasutada toodet Provox TwistLock. Lükake sisestusvarrast tugevalt ettepoole. Sellega laaditakse hääleproteesi söögitoru äärik kapslisse.

2. Õige laadimise kontrollimine

Hääleprotees on nüüd laetud kapslisse Provox Capsule ja kokkusurumisvahendi saab sisestusvardalt eemaldada. Kontrollige, kas söögitoru äärik on kapsli sees (joonis 15). Kui hääleprotees pole korralikult kokku surutud, tuleb laadimisprotsessi korrata uue kapsliga Provox Capsule. Veenduge, et hääleproteesi rihm oleks kinnitatud sisestusvarda külge, mis on ette nähtud proteesi punktsiooni sisestamiseks.

3. Eemaldage vana hääleprotees ja valmistage ette TE punktsioon (vt jaotis 2.2 punktid 6 ja 7).

4. Sisestage Provox Capsule punktsiooni.

Hoidke hääleproteesi täielikult sisestatud asendis, kuni Provox Capsule on lahustunud ja söögitoru äärik on täielikult avanenud. Sikutage kergelt hääleproteesi rihma, et kontrollida, kas protees on õiges asendis.

5. Hääleproteesi vabastamine

Eemaldage sisestatud varras hääleproteesist. Hääleprotees jääb punktsiooni.

6. Toimingu lõpuleviimine

Pärast sisestamist viige toiming lõpule vastavalt jaotises 2.5 kirjeldatule.

* Pole kõigis riikides saadaval.

2.4 Süsteemi Provox Insertion System kokkupanek ja uuesti laadimine

Kui esimene Provox Vega sisestamine TE-punktsioonikohta ebaõnnestus, saab hääleproteesi uuesti süsteemi Provox Insertion System laadida.

Hääleproteesi asend

1. Pange hääleprotees trahhea poolega allapoole sisestusvardale.
2. Kinnitage turvapael, viies see läbi kinnitusava mõlema külje.
3. Veenduge, et hääleprotees on õigesti ja kindlalt kinnitatud sisestusvardale ja varda ots ulatub hääleproteesi sinise rõngani (joonis 3).

Kokkusurumisvahendi ühendamine

4. Viige sisestusvarras läbi kokkusurumisvahendi ava, kuni see kohale klõpsab. Tõmmake varrast, kuni see kinnitub kokkusurumisvahendisse (joonis 16). Süsteem Provox Insertion System on nüüd ettevalmistamiseks valmis. Jätkake ettevalmistusega vastavalt eespool toodud jaotises 2.2 kirjeldatule.

ETTEVAATUST! Ärge laadige uuesti üle kahe korra. Kui Provox Vega hääleproteesil on kahjustuse märke, ärge kasutage seda.

2.5 Toimingu lõpuleviimine

Pärast sisestamist

Kontrollige, kas seade on korralikult oma kohal

1. Kontrollige hääleproteesi õiget asendit. Selleks pöörake ja tõmmake ettevaatlikult sisestusvarrast (joonis 17). Protees on õiges asendis, kui turvapael osutab allapoole.

Õige töötamise kontrollimine

2. Puhastage Provox Vegat Provox Brushiga. Proteesi õige töötamise kontrollimiseks paluge patsiendil rääkida ja jälgige, ega protees ei leki, kui patsient vett joob (joonis 18).

Turvapaela lõikamine

3. Kui olete veendunud, et hääleprotees on õigesti paigaldatud, lõigake turvapael ära nii, et see oleks kohakuti trahhea äärikuga (joonis 19). Provox Vega hääleprotees on nüüd kasutamiseks valmis.

2.6 Kõrvaldamine

Kasutatud meditsiiniseadme kõrvaldamisel järgige alati bioloogilisi ohte käsitlevaid meditsiinilisi tavasid ja riiklikke nõudeid.

3. Oluline patsienditeave

3.1 Üldteave

Veenduge, et patsient teaks pöörduda arsti poole, kui:

- Proteesis või selle ümber on lekked (kõhimine ja/või lima muutunud värv).
- Kõnelemine muutub keerukamaks (nõuab suuremat jõupingutust ja/või hääl näib pingutatud).
- Punktsioonialal on põletikunähud või koemuutused (valu, kuumus, turse, verejäljed harjal pärast harjaga puhastamist).

Teavitage patsienti ka sellest, et:

- pärast proteesi vahetamist võib süljes olla verejälgi. See võib tuleneda TE-punktsioonikoha granulatsioonikoe servadest.
- Ajutiselt võib lekke peatamiseks hääleproteesist kasutada tarvikut Provox Vega Plug;
- soovitatav on läbi viia kõnekoolitusseansid koolitatud logopeediga, et saavutada optimaalne heli, ladus kõne ja optimaalne arusaadavus.

3.2 Proteesi hooldamine

Juhendage patsienti, millal ja kuidas oma Provox Vega hääleproteesi puhastada. Proteesi puhastamine vähemalt kaks korda päevas aitab pikendada seadme tööiga.

ETTEVAATUST! Kasutage ainult ehtsaid Provox'i lisatarvikuid, mis on ette nähtud Provox Vegaga kasutamiseks proteesi puhastamisel.

- Proteesi harjamine tarvikuga Provox Brush kaks korda päevas eemaldab proteesist lima ja toidujäägid.
- Proteesi loputamine seadmega Provox Flush aitab samuti proteesist jääke ja lima eemaldada ning pikendada seadme kasutuskestust.
Märkus. Tarvikut Provox Flush võivad kasutada patsiendid, kellele seadme välja- kirjutanud meditsiinitöötaja on andnud hinnangu, et nad on võimelised järelevalveta pidevalt järgima kasutusjuhendit.
- *Candida* ülemäärase kasvu vastu on abiks mõned toitumisharjumused (nt igapäevane piimhappebaktereid sisaldava jogurti või peti joomine).

Lisateabe saamiseks Provox Vega puhastamise kohta lugege iga tarviku kasutusjuhendit.

4. Lisateave

4.1 MRT-nõuetele vastavus, röntgen- ja kiiritusravi

Provox Vega hääleproteesi on testitud ja leitud, et see ühildub magnetresonantskujutisega (testimine kuni 3 teslat), röntgen- ja kiiritusraviga (testimine kuni 70 Gy). Proteesi võib

uuringu-/raviseansside ajal jätta TE-punktsioonikohale. Võtke arvesse, et röntgenis on röntgenkontrastne klappes nähtav.

4.2 Seadme tööiga

Seadme kasutuskestus sõltub individuaalsetest bioloogilistest tingimustest ja pole võimalik ennustada seadme terviklust pikema aja jooksul. Seadme materjali mõjutavad nt bakterid ja pärmseen ning lõpuks seadme struktuuriline terviklus halveneb.

Laboritestid simuleeritud kasutuse kohta 12-kuulise testimisaja jooksul on näidanud, et bakterite ja pärmseente puudumisel säilitab seade selle aja jooksul struktuurilist terviklust. Seadet pole üle 12-kuulise kasutamise korral testitud. Pikemaajase kasutamise võib otsustada seadme väljakirjutaja.

4.3 Ühilduvus seentevastaste ravimitega

Laboritestid on näidanud Provox Vega hääleproteesi ja selle komponentide töötamisele väga väikest negatiivset mõju, kui kasutatakse järgmisi seentevastaseid ravimeid: nüstaiin, flukonasool, mikonasool.

5. Teavitamine

Võtke arvesse, et kõigist seadmega seoses aset leidnud tõsistest ohujuhtumitest tuleb teavitada tootjat ning kasutaja ja/või patsiendi asukohariigi pädevat ametiasutust.

LIETUVIŲ KALBA

„Provox® Vega™“

1. Aprašomoji informacija

1.1. Paskirtis

Kalbėjimo protezas „Provox Vega“ yra sterilus, vienkartinis, namuose naudojamas kalbėjimo protezas, skirtas balso reabilitacijai po chirurginio gerklų pašalinimo (laringektomijos). Kalbamąjį protezą valo pats pacientas, jo neišimdamas.

„Provox Insertion System“ yra sterili vienkartinė priemonė, skirta kalbėjimo protezui „Provox Vega“ pakeisti įdedant anterogradiniu būdu. Keitimo procedūrą atlieka gydytojas arba išmokytas medicinos specialistas, laikydamasis vietos arba nacionalinių rekomendacijų.

„Provox Insertion System“ neskirta kalbėjimo protezui dėti į naujai padarytą kanalą.

1.2. Priemonės aprašymas

Bendroji informacija

„Provox Vega“ yra vienkryptis vožtuvas (protezas), palaikantis TE kanalą atvirą kalbėjimui ir mažinantis skysčių ir maisto patekimo į trachėją pavojų. Kalbėjimo protezas „Provox Vega“ nėra nuolatinis implantas, todėl jį reikia periodiškai keisti. Protezas (1 pav.) tiekiamas skirtingų skersmenų ir kelių ilgių. Priemonė pagaminta iš medicininio silikono ir fluoroplasto.

„Provox Vega“ pakuotė

„Provox Vega“ pakuotėje pateikiami šie elementai:

- 1 kalbėjimo protezas „Provox Vega“, surinktas vienkartinėje įdėjimo sistemoje, sterilus (2 pav.);
- 1 nesterilus šepetėlis („Provox Brush“), kurio dydis atitinka kalbamąjį protezą;
- 1 „Provox Vega“ instrukcija kliniciui;
- 1 „Provox Vega“ instrukcija pacientui;
- 1 „Provox“ šepetėlio naudojimo instrukcija;

1.3. KONTRAIKACIJOS

Balso reabilitacijos protezus jau naudojantiems pacientams žinomų kalbėjimo protezo „Provox Vega“ naudojimo arba keitimo kontraindikacijų nėra.

1.4. ĮSPĖJIMAI

- **Kalbėjimo protezas „Provox Vega“ gali pasislinkti arba būti išstumtas** iš TE kanalo, todėl gali būti nurytas, įkvėptas arba pažeisti audinius. Į kvėpavimo takus patekęs pašalinis objektas gali sukelti sunkių komplikacijų, pavyzdžiui, ūminį kvėpavimo sutrikimą ir (arba) sustojusį kvėpavimą.
- **Parinkite tinkamo dydžio protezą.** Įdėtas per didelis protezas gali sukelti audinių nekrozę ir būti išstumtas.
- **Nurodykite pacientui nedelsiant kreiptis į gydytoją,** jeigu pasireikštų bet kokių audinių edemos ir (arba) uždegimo ar infekcijos požymiai.
- **Nurodykite pacientui nedelsiant kreiptis į gydytoją,** jeigu prasidėtų nuotėkis per kalbėjimo protezą arba aplink jį. Dėl nuotėkio gali prasidėti aspiracinė pneumonija.
- **Jeigu naudojami laringektomijos vamzdeliai arba stomos kamšteliai,** pasirinkite tinkamą jų formą, kad jie nespautų protezo ir įdedami arba išimami ne kliūtų už protezo trachėjos flanšo. Priešingu atveju gali būti labai pažeisti audiniai ir (arba) netyčia nurytas protezas.

- **Nurodykite pacientui protezo priežiūrai naudoti tik tinkamo dydžio originalius „Provox“ priedus** (šepetėlį, plovimo įtaisą, kamštį) ir neatlikti jokių kitų veiksmų.
- **Pakartotinai naudojama ir pakartotinai apdorojama** priemonė gali būti kryžmiškai užteršta arba sugadinta, todėl gali būti padaryta žala paciento sveikatai.

1.5. ATSARGUMO PRIEMONĖS

- Prieš dėdami arba keisdami protezą atidžiai išstirkite kraujavimo sutrikimų turintį arba koaguliantais gydomą pacientą, ar nėra kraujavimo pavojaus.
- Prieš naudodami apžiūrėkite pakuotę. Jeigu pakuotė pažeista arba pradaryta, gaminio nenaudokite.
- Dirbdami su protezu būtinai laikykitės aseptinės metodikos, kad sumažintumėte infekcijų pavojų.

2. Naudojimo instrukcija

2.1. Kalbėjimo protezo dydžio parinkimas

Keičiamo protezo tinkamo koto skersmens ir ilgio parinkimas

Naudokite tik tinkamo koto skersmens ir ilgio kalbėjimo protezą „Provox Vega“.

„Provox Vega“ tiekiami įvairių koto skersmenų ir keletu ilgių.

• Koto skersmens parinkimas

Klinicistas turi nustatyti pacientui tinkamą protezo skersmenį.

Jeigu pasirinktas skersmuo didesnis nei ankstesnio protezo, traktą reikia plėtikliu „Provox Dilator“ išplėsti, kad jis atitiktų dedamo protezo skersmenį.

Jeigu dedamas mažesnio koto skersmens protezas, stebėkite ir išitikinkite, kad kanalas susitraukia iki reikiamo skersmens.

• Koto ilgio parinkimas

Kad parinktumėte tinkamą ilgį, kaip matavimo priemonę galima naudoti dabartinį protezą. Jeigu tarp senojo protezo trachėjos flanšo ir gleivinės sienelės yra per didelis tarpas (pavyzdžiui, 3 mm arba didesnis), reikia naudoti trumpesnę protezą. Jeigu protezas įdėtas per ankštai, reikia naudoti ilgesnį protezą.

2.2. Parengimas

(3-6 pav.)

Kalbėjimo protezo padėties nustatymas

1. Pasirūpinkite, kad kalbėjimo protezas būtų tinkamai uždėtas ant įvedimo kaiščio, tvirtai pritvirtintas, o įvedimo kaiščio galiukas būtų iki galo įkištas į kalbėjimo protezo mėlyną žiedą (3 pav.).

Stemplės flanšo užlenkimas

2. Patikrinkite, ar įvedimo kaištis tinkamai nustatytas užlenkimo įrankyje (įvedimo kaištis turi būti užfiksuotas užlenkimo įrankyje).
3. Dviem pirštais suspauskite užlenkimo įrankį (4 pav.).
4. Laikydami užlenkimo įrankį uždarytą pritvirtinkite dėjimo vamzdelį ir jį sukite, kol užsifiksuos (5 pav.).
(Netaikoma, kai dedant naudojama kapsulė.)

Dėjimas

5. Stumkite įvedimo kaištį pirmyn, kol kalbėjimo protezas susilygiuos su ant dėjimo vamzdelio matomu žiedu (6 pav.). (Netaikoma, kai dedant naudojama kapsulė.)

Senajo kalbėjimo protezo išėmimas

6. Traukdami nedantytu spausduku iš TE kanalo išimkite dabartinį (senąjį) protezą. Taip pat klinicistas gali nuspręsti žnyplėmis sugriebti protezo trachėjos flanšą ir jį nupjauti. Tada likusi protezo dalis įstumiami į ryklę, kad pereitų virškinimo traktą. Prieš taikant šį metodą privalu atsižvelgti į tai, ar pacientas nesirgęs arba neserga jokiais žarnyno ligomis.

Kanalo paruošimas (pasirinktinai)

7. Ruošiant dėti kalbėjimo protezą galima išplėsti kanalą. Dažniausiai to daryti nereikia, tačiau šiuo būdu gali būti lengviau protezą įdėti pacientams, kurių kanalai pakreipti kampu arba siauri ir lengvai susitraukia.

2.3. Įdėjimas, anterogradinė keitimo procedūra

Naudojant „Provox Insertion System“, kalbėjimo protezą „Provox Vega“ galima įdėti keturiais metodais. Metodą savo nuožiūra pasirenka klinicistas.

2.3.1 Įdėjimas naudojant sistemą: naudojama visa įdėjimo sistema.

2.3.2 Įdėjimas naudojant vamzdelį: prieš įdedant nuimamas užlenkimo įrankis.

2.3.3 Įdėjimas perstumiant: visas kalbėjimo protezas įstumiamas į stemplę, tada patraukiamas atgal į reikiamą vietą.

2.3.4 Įdėjimas naudojant kapsulę: prieš įdedant kalbėjimo protezas įdedamas į „Provox Capsule“ kapsulę.

2.3.1 metodas: įdėjimas naudojant sistemą

1. Įvedimas į TE kanalą

Laikykite „Provox Insertion System“ už dėjimo vamzdelio. Dėjimo vamzdelio galiuką įveskite į kanalą. Jeigu jaučiamas pasipriešinimas, toliau stumkite atsargiai. Esant pasipriešinimui galima išplėsti ir (arba) lubrikuoti kanalą, kad būtų galima lengviau įdėti.

2. Kalbėjimo protezo įdėjimas

Viena ranka nejudamai prilaikykite dėjimo vamzdelį, o kita ranka stumkite įvedimo kaištį, kol ant distalinio sugriebimo paviršiaus esančios rodyklės susilygins su

užlenkimo įrankio apatiniu kraštu (7 pav.). Dabar kalbėjimo protezo stemplės flanšas yra visiškai atsilenkęs stemplėje.

3. Kalbėjimo protezo paleidimas

Iš kanalo tiesiai ištraukite dėjimo vamzdelį ir užlenkimo įrankį. Kalbėjimo protezas lieka kanale, vis dar tvirtai pritvirtintas prie įvedimo kaiščio.

4. Procedūros užbaigimas

Įdėję protezą užbaikite procedūrą, kaip aprašyta 2.5 skyriuje.

2.3.2 metodas: įdėjimas naudojant vamzdelį

Kad geriau matytumėte, įstūmę protezą į dėjimo vamzdelį galite nuimti užlenkimo įrankį.

Pastaba: kad būtų tinkamai užlenktas stemplės flanšas, dedant protezą svarbu būtina naudoti „Provox Insertion System“ su užlenkimo įrankiu.

1. Užlenkimo įrankio nuėmimas

Atfiksudami ir atjungdami nuo dėjimo vamzdelio (8 pav.) nuimkite užlenkimo įrankį.

2. Įvedimas į TE kanalą

Laikykite „Provox Insertion System“ už dėjimo vamzdelio. Dėjimo vamzdelio galiuką įveskite į kanalą. Jeigu jaučiamas pasipriešinimas, toliau stumkite atsargiai. Esant pasipriešinimui galima išplėsti ir (arba) lubrikuoti kanalą, kad būtų galima lengviau įdėti.

3. Kalbėjimo protezo įdėjimas

Kita ranka stumkite įvedimo kaištį, kol ant proksimalinio sugriebimo paviršiaus esančios rodyklės susilygins su dėjimo vamzdeliu (9 pav.). Dabar kalbėjimo protezo stemplės flanšas yra visiškai atsilenkęs stemplėje.

4. Kalbėjimo protezo paleidimas

Viena ranka laikykite dėjimo vamzdelį, kita – įvedimo kaištį. Traukite ir dėjimo vamzdelį, ir įvedimo kaištį, kol pajusite, kad stemplės flanšas pasiekė priekinę stemplės sienelę. Tada paleiskite įvedimo kaištį ir tiesiai ištraukite dėjimo vamzdelį iš kanalo. Šiuo būdu trachėjos flanšas bus paleistas.

Pastaba: jeigu trachėjos flanšas atsilenkia stemplėje arba kanale (netyčinis perstūmimas), nedantytu spauستuku sugriebkite trachėjos flanšą ir traukdami ir (arba) sukdami nustatykite kalbėjimo protezą reikiamoje vietoje.

5. Procedūros užbaigimas

Įdėję protezą užbaikite procedūrą, kaip aprašyta 2.5 skyriuje.

2.3.3 metodas: įdėjimas perstumiant

siekiant užtikrinti, kad stemplės flanšas visiškai išsiskleistų sunkiuose TE kanaluose, kalbėjimo protezas „Provox Vega“ kartais dedamas perstūmimo metodu.

1. Užlenkimo įrankio nuėmimas (pasirinktinai)

Įstūmę protezą į dėjimo vamzdelį, atfiksudami ir atjungdami nuo dėjimo vamzdelio (8 pav.) nuimkite užlenkimo įrankį.

2. Įvedimas į TE kanalą

Laikykite „Provox Insertion System“ už dėjimo vamzdelio. Dėjimo vamzdelio galiuką įveskite į kanalą. Jeigu jaučiamas pasipriešinimas, toliau stumkite atsargiai. Esant pasipriešinimui galima išplėsti ir (arba) lubrikuoti kanalą, kad būtų galima lengviau įdėti.

3. Kalbėjimo protezo įdėjimas

Viena ranka nejudamai prilaikykite dėjimo vamzdelį, o kita ranka pastumkite įvedimo kaištį toliau proksimalinio sugriebimo paviršiaus (10 pav.). Dabar kalbėjimo protezas visas yra stemplėje (11 pav.)

Jeigu perstūmimo metodu dedama nenuėmus užlenkimo įrankio, įvedimo kaištį pastumkite toliau distalinio sugriebimo paviršiaus. Dabar kalbėjimo protezas visas yra stemplėje (12 pav.)

4. Kalbėjimo protezo paleidimas

Iš kanalo tiesiai ištraukite dėjimo vamzdelį. Protezas lieka stemplėje, vis dar tvirtai pritvirtintas prie įvedimo kaiščio. Nedantytu spauستuku sugriebkite trachėjos flanšą ir traukdami ir (arba) sukdami nustatykite kalbėjimo protezą reikiamoje vietoje.

5. Procedūros užbaigimas

Įdėję protezą užbaikite procedūrą, kaip aprašyta 2.5 skyriuje.

2.3.4 metodas: įdėjimas naudojant kapsulę

Paskirtis

„Provox Capsule“ yra vienkartinis priedas, skirtas naudoti klinikistui, anterogradiniu būdu dedančiam standartinį kalbėjimo protezą į paciento, kuriam atlikta laringektomija, tracheozofaginį kanalą.

Priemonės aprašymas

„Provox Capsule“ pagaminta iš augalinės kilmės, vandenyje tirpios medžiagos ir yra trijų dydžių, skirtų trimis skirtingiems kalbėjimo protezų skersmenims: 17, 20 ir 22,5 Fr.

ISPĖJIMAI

- Prieš dėdami kalbėjimo protezą būtina pasirūpinkite, kad jis būtų tinkamai sulankstytas ir tinkamai įdėtas į „Provox Capsule“. Pirma laiko atsiskyrusi „Provox Capsule“ gali būti įkvėpta. Pažymėtina, kad dėl lubrikantų kapsulė gali silpniau prisitvirtinti.
- Jeigu įtariate užteršimą, „Provox Capsule“ nenaudokite.
- „Provox Capsule“ nenaudokite, jeigu yra matomų pakuotės arba kapsulės sugadinimo požymių.
- Įdėję kalbėjimo protezą į TE kanalą įsitikinkite, kad protezas veikia. Įdėję kalbėjimo protezą būtina imkitės atsargumo priemonių, nurodytų kalbėjimo protezo naudojimo instrukcijoje.

ATSARGUMO PRIEMONĖS

- Dėdami stemplės flanšą į „Provox Capsule“ nenaudokite aštrių daiktų, nes antraip gali būti sugadintas kalbėjimo protezas.
- Naudokite tik tokią „Provox Capsule“, kurios dydis atitinka kalbėjimo protezo skersmenį, arba vienu dydžiu didesnę.

„Provox Insertion System“ užlenkimo įrankiu galima standartinio kalbėjimo protezo „Provox Vega“ stemplės flanšą sulankstyti į „Provox Capsule“*. Atliekant šią procedūrą dėjimo vamzdelis nenaudojamas.

1. Protezo įdėjimas į „Provox Capsule“

Išmeskite „Provox Capsule“ ilgąją dalį, o trumpąją naudokite protezui įdėti. Dviem pirštais suspauskite užlenkimo įrankį ir įdėkite kapsulę į užlenkimo įrankio angą (13 pav.). Laikykite užlenkimo įrankį suspausta, o kapsulę prispauskite smiliumi (14 pav.). Užlenkimo įrankį suspausta taip pat galima laikyti naudojant „Provox TwistLock“. Tvirtai stumkite įvedimo kaištį į priekį; šiuo būdu kalbėjimo protezo stemplės flanšas bus įstumtas į kapsulę.

2. Tikrinimas, ar tinkamai įdėta

Dabar kalbėjimo protezas įdėtas į „Provox Capsule“, todėl nuo įvedimo kaiščio galima nuimti užlenkimo įrankį. Įsitikinkite, kad, stemplės flanšas yra kapsulės viduje (15 pav.). Jeigu kalbėjimo protezas nėra tinkamai sulankstytas, dėjimo procesą pakartokite su nauja „Provox Capsule“. Pasirūpinkite, kad kalbėjimo protezo juostelė būtų pritvirtinta prie įvedimo kaiščio, kurį naudosite protezui įvesti į kanalą.

3. Išimkite seną kalbėjimo protezą ir paruoškite TE kanalą (žr. 2.2 skyriaus 6 ir 7 punktus).

4. „Provox Capsule“ įvedimas į kanalą

Laikykite kalbėjimo protezą visiškai įvestą, kol „Provox Capsule“ ištirps, o stemplės flanšas visiškai išsiskleis. Lengvai truktelėdami kalbėjimo protezo juostelę įsitikinkite, kad jis yra reikiamoje vietoje.

5. Kalbėjimo protezo paleidimas

Iš kalbėjimo protezo ištraukite įvedimo kaištį. Kalbėjimo protezas lieka kanale.

6. Procedūros užbaigimas

Įdėję protezą užbaikite procedūrą, kaip aprašyta 2.5 skyriuje.

* Tiekama ne visose šalyse.

2.4. „Provox Insertion System“ surinkimas ir pakartotinis dėjimas

Jeigu nepavyko iš pirmojo karto įdėti „Provox Vega“ į TE kanalą, kalbėjimo protezą galima pakartotinai įdėti į „Provox Insertion System“.

Kalbėjimo protezo padėties nustatymas

1. Ant įvedimo kaiščio pritvirtinkite kalbėjimo protezą trachėjos puse žemyn.
2. Iš bet kurios pusės perkisdami per tvirtinimo angą, pritvirtinkite apsauginę juostelę.
3. Pasirūpinkite, kad kalbėjimo protezas būtų tinkamai uždėtas ant įvedimo kaiščio, tvirtai pritvirtintas, o įvedimo kaiščio galiukas būtų iki galo įkištas į kalbėjimo protezo mėlyną žiedą (3 pav.).

Užlenkimo įrankio prijungimas

4. Įvedimo kaištį stumkite per užlenkimo įrankio angą, kol jis spragtelėdamas užsifiksuos. Kaištį stumkite tol, kol jis užsifiksuos užlenkimo įrankyje (16 pav.). Dabar „Provox Insertion System“ paruošta parengiamiesiems veiksams. Toliau vykdykite parengiamąją procedūrą, kaip aprašyta 2.2 poskyryje.

DĖMESIO: nemėginkite pakartotinai įdėti daugiau nei du kartus. Jeigu pastebėjote bet kokių kalbėjimo protezo „Provox Vega“ pažeidimo požymių, šio kalbėjimo protezo nenaudokite.

2.5. Procedūros užbaigimas

Veiksmai įdėjus

Tikrinimas, ar protezas tinkamai įdėtas

1. Sukdami ir švelniai traukdami įvedimo kaištį pasirūpinkite, kad kalbėjimo protezas būtų tinkamoje padėtyje (17 pav.). Protezas yra geriausioje padėtyje, jeigu apsauginė juostelė nukreipta žemyn.

Tinkamo veikimo tikrinimas

2. Protezą „Provox Vega“ išvalykite „Provox“ šepetėliu. Paprašydami paciento pakalbėti ir stebėdami, ar pacientui geriant vandenį nėra skysčio nuotėkio (18 pav.), patikrinkite, ar protezas tinkamai veikia.

Apsauginės juostelės nukirpimas

3. Įsitikinę, kad kalbėjimo protezas tinkamai įdėtas, nukirpkite apsauginę juostelę lygiai su trachėjos flanšu (19 pav.). Kalbėjimo protezas „Provox Vega“ paruoštas naudoti.

2.6 Šalinimas

Šalindami panaudotą medicininę priemonę būtinai laikykitės medicinos praktikos ir nacionalinių reikalavimų dėl biologinių pavojų.

3. Svarbi informacija pacientams

3.1. Bendroji informacija

Pasirūpinkite, kad pacientas suprastų, jog šiais atvejais privalo kreiptis į savo klinikistą:

- per protezą arba aplink jį yra nuotėkis (prasideda kosulys ir (arba) pakito gleivių spalva);

- tampa sunku kalbėti (reikia daugiau pastangų ir (arba) balsas skamba labiau įtemptas);
- kanalo vietoje arba stomos srityje pasireiškia bet kokie uždegimo požymiai arba audinių pokyčiai (skausmas, paraudimas, karštis, tinimas, išvalius ant šepetėlio matyti kraujo pėdsakų).

Taip pat informuokite pacientą, kad:

- pakeitus protezą skrepliuose gali būti kraujo pėdsakų. Jų priežastis gali būti TE kanalo kraštų granuliacinis audinys;
- nuotėkį per kalbėjimo protezą galima laikinai sustabdyti kamščiu „Provox Vega Plug“;
- pacientui patariama dalyvauti išmokyto klinicisto organizuojamuose kalbėjimo mokymo seminaruose, kad išmokytų kalbėti tinkamiausiu garsu, sklandžiai ir kuo suprantamiau.

3.2. Protezo priežiūra

Paaiškinkite pacientui, kada ir kaip valyti kalbėjimo protezą „Provox Vega“. Valant bent du kartus per parą gali pailgėti priemonės naudojimo trukmė.

DĖMESIO: protezui valyti naudokite tik originalius „Provox“ priedus, skirtus naudoti su „Provox Vega“.

- „Provox“ šepetėliu du kartus per parą valant protezą, iš jo pašalinamos gleivės ir maisto likučiai.
- Plovimo įtaisu „Provox Flush“ plaunant protezą iš jo taip pat išvalomi nešvarumai ir gleivės, todėl gali pailgėti priemonės naudojimo trukmė.
Pastaba: „Provox Flush“ skirtas naudoti tik pacientams, priemonę skyrusio klinicisto vertinimu sugebantiems suprasti nuosekliai laikytis naudojimo instrukcijų be klinicisto priežiūros.
- Laikoma, kad pernelyg intensyvių „Candida“ augimą gali sulaukyti tam tikra mityba, pavyzdžiui, kas dieną vartojamas jogurtas arba pasukos su pieno rūgšties bakterijomis.

Išsami informacija apie „Provox Vega“ valymą pateikiama kiekvieno priedo instrukcijoje.

4. Papildoma informacija

4.1. Suderinamumas su MRT, rentgenografija ir spinduline terapija

Atlikus kalbėjimo protezą „Provox Vega“ bandymus nustatyta, kad jie suderinami su magnetinio rezonanso tomografija (išbandyta, kai magnetinio lauko stipris neviršija 3 teslų), rentgenografija bei spinduline terapija (išbandyta, kai spinduliuotės dozė neviršija 70 Gy). Tyrimo arba gydymo procedūros metu protezą galima palikti TE kanale. Rentgenokontrastinis vožtuvo lizdas matomas rentgenogramose.

4.2. Priemonės naudojimo trukmė

Priemonės naudojimo trukmė priklauso nuo asmeninių biologinių aplinkybių, todėl neįmanoma ilgiam laikotarpiui prognozuoti priemonės vientisumo. Priemonės medžiagos patiria įvairių poveikių, pavyzdžiui, bakterijų ir grybelių, todėl priemonės struktūrinis vientisumas ilgainiui silpnėja.

Laboratorijoje atlikus 12 mėnesių trukmės imituojamo naudojimo bandymą nustatyta, kad nesant bakterijų ir grybelių šį laikotarpį išlaikomas priemonės struktūrinis vientisumas. Ilgesnis nei 12 mėnesių trukmės naudojimas netirtas. Priemonę ilgiau nei šį laikotarpį galima naudoti tik ją skyrusio specialisto nuožiūra.

4.3. Suderinamumas su priešgrybeliniais vaistais

Laboratorijos tyrimų duomenimis, nistatino, flukonazolio ir mikonazolio naudojimas turi tik nežymios neigiamos įtakos balso protezo „Provox Vega“ ir jo komponentų veikimui.

5. Pranešimas apie incidentus

Pažymėtina, kad įvykus bet kokiam su priemone susijusiam rimtam incidentui apie jį reikia pranešti gamintojui ir naudotojo ir (arba) paciento gyvenamosios šalies nacionalinei valdžios įstaigai.

ČESKY

Provox® Vega™

1. Popis

1.1 Účel použití

Hlasová protéza Provox Vega je sterilní vnitřní hlasová protéza na jednorázové použití, určená pro rehabilitaci hlasu po chirurgickém odstranění hrtanu (laryngotomie). Čištění protézy provádí pacient, zatímco protéza zůstává uvnitř.

Zaváděcí systém Provox Insertion System je sterilní zařízení na jednorázové použití, určené pro anterográdní výměnu hlasové protézy Provox Vega. Zavedení provádí lékař nebo školený zdravotnický pracovník v souladu s místními nebo státními předpisy.

Zaváděcí systém Provox Insertion System není určen pro zavádění hlasové protézy do čerstvě vytvořené punkce.

1.2 Popis zařízení

Obecné

Provox Vega je sterilní jednocestný ventil (protéza), který udržuje TE punkci otevřenou pro řeč, a zároveň snižuje riziko vniknutí tekutin a potravy do trachey. Hlasová protéza Provox Vega není permanentní implantát a musí se pravidelně vyměňovat. Protéza (obr. 1) je dostupná v různých průměrech a několika délkách. Je vyrobena z lékařské silikonové pryže a fluoroplastu.

Balení Provox Vega

Balení Provox Vega obsahuje tyto položky:

- 1 předem smontovaná hlasová protéza Provox Vega v zaváděcím systému na jednorázové použití, sterilní (obr. 2)
- 1 kartáček Provox Brush velikostně odpovídající hlasové protéze, nesterilní
- 1 návod pro lékaře k zařízení Provox Vega
- 1 příručka pro pacienta k zařízení Provox Vega
- 1 návod k použití kartáčku Provox Brush

1.3 KONTRAINDIKACE

U pacientů, kteří již protetickou hlasovou rehabilitaci používají, nejsou známy žádné kontraindikace použití nebo výměny protézy Provox Vega.

1.4 VAROVÁNÍ

- Může dojít k **dislokaci nebo vytlačení hlasové protézy Provox Vega** z TE punkce a následnému spolknutí, vdechnutí nebo poškození tkáně. Cizí těleso v dýchacích cestách může vyvolat závažné komplikace, jako například akutní respirační tíseň a/nebo zástavu dechu.
- **Vyberte správnou velikost protézy.** Příliš těsná fixace může způsobit nekrózu tkáně a extruzi.
- **Poučte pacienta, aby se ihned poradil s lékařem** v případě jakýchkoli známek otoku a/nebo zánětu či infekce tkáně.
- **Poučte pacienta, aby se obrátil na lékaře,** dojde-li k úniku tekutiny z hlasové protézy nebo kolem ní. Únik může vést k aspirační pneumonii.
- **Pokud je používáte, vyberte laryngotomické trubičky nebo stomické knoflíky** vhodného tvaru, které během zavádění nebo odstraňování laryngotomické trubičky nebo stomického knoflíku nevyvíjejí tlak na protézu ani se nezachytávají o tracheální manžetu protézy. To může vést k závažnému poškození tkáně a/nebo náhodnému spolknutí protézy.
- **Informujte pacienta, aby k údržbě používal pouze originální příslušenství Provox** odpovídající velikosti (Brush, Flush, Plug) a aby s hlasovou protézou neprováděl žádnou jinou manipulaci.
- Při **opakovaném použití a opakovaném zpracování** může dojít ke zkrížení kontaminaci a k poškození zařízení, což může způsobit újmu pacientovi.

1.5 BEZPEČNOSTNÍ OPATŘENÍ

- Před zavedením nebo výměnou protézy pečlivě vyšetřete pacienty s krvácivými poruchami a pacienty, kteří užívají antikoagulanty, zda u nich nehrozí riziko krvácení nebo nadměrného krvácení.
- Před použitím balení zkontrolujte. Pokud je balení poškozené nebo otevřené, výrobek nepoužívejte.
- Při manipulaci s protézou vždy používejte aseptickou techniku, aby se snížilo riziko infekce.

2. Návod k použití

2.1 Volba velikosti hlasové protézy

Volba správného průměru a délky vnějšího pláště vyměňované protézy

Dbejte na to, abyste použili hlasovou protézu Provox Vega se správným průměrem a délkou vnějšího pláště. Hlasová protéza Provox Vega se dodává s různým průměrem a délkou vnějšího pláště.

• **Výběr průměru vnějšího pláště**

Lékař musí určit správný průměr protézy, který je pro daného pacienta vhodný.

Pokud je zvolený průměr větší než předchozí protéza, dýchací trubice se musí rozšířit pomocí zařízení na dilataci Provox Dilator podle průměru protézy, která má být zavedena.

Pokud je zaváděna protéza s menším průměrem, ujistěte se, že punkce se stáhla na příslušný průměr.

• **Výběr délky vnějšího pláště**

Vyberte správnou velikost, jako měřítko můžete použít stávající protézu.

Pokud je mezi tracheální manžetou staré protézy a stěnou sliznice větší prostor (tj. 3 mm/~0,12 palce), je nutné použít kratší protézu. Pokud je protéza příliš těsná, je nutné použít delší protézu.

2.2 Příprava

(Obr. 3–6)

Umístěte hlasovou protézu

1. Dbejte na to, aby hlasová protéza byla na hrotu zavaděče řádně umístěna, pevně připojena a aby celý hrot zavaděče byl zasunutý do modrého kroužku hlasové protézy (obr. 3).

Ohněte jícnovou manžetu

2. Ověřte si, že zavaděč je pomocí ohýbače správně umístěn (zavaděč uchopíme do ohýbače).
3. Ohýbač stiskněte dvěma prsty (obr. 4).
4. Zatímco ohýbač držíte zavřený, připojte zaváděcí tubu a otočte ji tak, až zacvakne na místo (obr. 5).
(Neplatí při zavádění kapsle.)

Naplňte

5. Tlačte na zavaděč směrem vpřed, až se hlasová protéza spojí s viditelnou částí zaváděcí tuby (obr. 6). (Neplatí při zavádění kapsle.)

Vyjměte starou hlasovou protézu

6. Z TE punkce vyjměte stávající (starou) protézu tak, že ji vytlačíte ven neozubeným peánem. Tracheální manžetu lze případně uchopit kleštěmi a odstříhnout ji; rozhodnutí je na lékaři. Zbytek protézy se pak vytlačí do jícnu, odkud projde trávicím traktem. Před použitím tohoto způsobu musí být zohledněno jakékoli onemocnění trávicího traktu v anamnéze.

Přípravte punkci (volitelné)

7. Při přípravě na zavedení hlasové protézy může být provedena dilatace punkce. Obvykle to není nutné, ale může to usnadnit zavádění u pacientů se zakřivenými nebo úzkými punkcemi, které snadno kolabují.

2.3 Zavedení, postup anterográdní výměny

Při zavádění hlasové protézy Provox Vega zaváděcím systémem Provox Insertion System je možné použít čtyři způsoby. Výběr metody je na rozhodnutí lékaře.

2.3.1 Systémové zavedení: Používá se celý zaváděcí systém.

2.3.2 Zavedení tubou: Před zavedením se odstraní ohýbač.

2.3.3 Zavedení přetažením: Celá hlasová protéza se umístí do jícnu a pak se stáhne do požadované polohy.

2.3.4 Zavedení kapsle: Před zavedením se hlasová protéza umístí do kapsle Provox Capsule.

2.3.1 Metoda č. 1: Systémové zavedení

1. Vstupte do TE punkce

Zaváděcí systém Provox Insertion System držte za zaváděcí tubu. Hrot zaváděcí tuby zasuňte do punkce. Pokud narazíte na odpor, postupujte opatrně. Při odporu může zavádění usnadnit dilatace a/nebo lubrikace.

2. Zaveďte hlasovou protézu

Jednou rukou držte zaváděcí tubu a druhou rukou tlačte na zavaděč, až jsou šipky na povrchu distální části zavaděče v jedné rovině s ohýbačem (obr. 7). V tomto bodě je jícnová manžeta hlasové protézy v jícnu zcela neohnutá.

3. Uvolněte hlasovou protézu

Zaváděcí tubu a ohýbač současně vytáhněte ven z punkce. Hlasová protéza zůstává v punkci, a to stále pevně připojená k zavaděči.

4. Dokončete proceduru

Po zavedení proceduru dokončete podle popisu v oddílu 2.5.

2.3.2 Metoda č. 2: Zavádění tubou

Po vtlačení protézy do zaváděcí tuby může být pro zvýšení viditelnosti vyjmut ohýbač.

Poznámka: Při zasouvání protézy do zavaděče je důležité vždy používat zaváděcí systém Provox Insertion System s připojeným ohýbačem, aby se zajistilo řádné založení jícnové manžety.

1. Vyjměte ohýbač

Ohýbač odstraníte tak, že jej cvaknutím odpojíte od zaváděcí tuby (obr. 8).

2. Vstupte do TE punkce

Zaváděcí systém Provox Insertion System držte za zaváděcí tubu. Hrot zaváděcí tuby zasuňte do punkce. Pokud narazíte na odpor, postupujte opatrně. Při odporu může zavádění usnadnit dilatace a/nebo lubrikace.

3. Zaveďte hlasovou protézu

Druhou rukou zatlačte na zavaděč tak, že šipky na povrchu proximální části jsou v jedné rovině se zaváděcí tubou (obr. 9). V tomto bodě je jícnová manžeta hlasové protézy v jícnu zcela neohnutá.

4. Uvolněte hlasovou protézu

Jednou rukou držte zaváděcí tubu a druhou rukou držte zavaděč. Zaváděcí tubu i zavaděč táhněte zpět, až ucítíte, že jícnová manžeta dosáhla přední stěny jícnu. Pak zavaděč pusťte a zaváděcí tubu z punkce rovně vytáhněte. Tím se uvolní tracheální manžeta.

Poznámka: Pokud se tracheální manžeta v jícnu nebo punkci rozbálí (nechtěné uvolnění), uchopte ji neozubeným peánem a hlasovou protézu zaveďte tahem/krouživým pohybem na místo.

5. Dokončete proceduru

Po zavedení proceduru dokončete podle popisu v oddílu 2.5.

2.3.3 Metoda č. 3: Zavedení přetažením

Zavedení hlasové protézy Provox Vega přetažením se příležitostně provádí, aby se zajistil úplný rozvoj jícnové manžety u obtížných TE punkcí.

1. Vyměte ohýbač (volitelné)

Po zatlačení protézy do zaváděcí tuby vyměte ohýbač tak, že jej cvaknutím odpojíte od zaváděcí tuby (obr. 8).

2. Vstupte do TE punkce

Zaváděcí systém Provox Insertion System držte za zaváděcí tubu. Hrot zaváděcí tuby zasuňte do punkce. Pokud narazíte na odpor, postupujte opatrně. Při odporu může zavádění usnadnit dilatace a/nebo lubrikace.

3. Zaveďte hlasovou protézu

Jednou rukou držte pevně zaváděcí tubu a druhou rukou tlačte zavaděč za povrch proximální části (obr. 10). V tomto bodě je protéza plně zasazena do jícnu (obr. 11). Pokud je ohýbačem, který je stále smontovaný, prováděno zavedení přetažením, zavaděč tlačte za povrch distální části. V tomto bodě je hlasová protéza plně zasazena do jícnu (obr. 12).

4. Uvolněte hlasovou protézu

Zaváděcí tubu vytáhněte rovně z punkce. Protéza zůstává v jícnu a je stále pevně napojena na zavaděč. Tracheální manžetu uchopte neozubeným peánem a tahem/krouživým pohybem dejte hlasovou protézu na místo.

5. Dokončete proceduru

Po zavedení proceduru dokončete podle popisu v oddílu 2.5.

2.3.4 Metoda č. 4: Zavedení v kapsli

Zamýšlené použití

Provox Capsule je příslušenství k jednorázovému použití pro anterográdního erográdní zavedení standardní hlasové protézy lékařem do tracheozofageální punkce pacienta po laryngektomii.

Popis zařízení

Kapsle Provox Capsule jsou vyrobeny z materiálu rostlinného původu rozpustného ve vodě. K dispozici jsou s rozměry odpovídajícími čtyřem různým průměrům hlasové protézy: 17, 20 a 22,5 Fr.

VAROVÁNÍ

- Před zavedením vždy ověřte správné ohnutí hlasové protézy a její řádné zasunutí do kapsle Provox Capsule. Pokud by se kapsle Provox Capsule oddělila předčasně, mohlo by dojít k jejímu vdechnutí. Mějte na paměti, že lubrikanty mohou mít nepříznivý vliv na připojení kapsle Capsule.
- V případě podezření na kontaminaci kapsle Provox Capsule nepoužívejte.
- Kapsle Provox Capsule nepoužívejte, pokud se obal nebo kapsle zdají být poškozené.
- Po zavedení hlasové protézy do TE-punkce ověřte její funkčnost. Po zavedení se vždy řiďte bezpečnostními opatřeními uvedenými v návodu k použití hlasové protézy.

BEZPEČNOSTNÍ OPATŘENÍ

- K zavádění kapsle Provox Capsule do jícnové manžety nepoužívejte ostré předměty, protože by mohlo dojít k poškození hlasové protézy.
- Používejte pouze kapsli Provox Capsule stejné velikosti nebo o jednu velikost větší, než je průměr hlasové protézy.

Ohýbač zaváděcího systému Provox Insertion System může být použit pro založení jícnové manžety standardní hlasové protézy Provox Vega do kapsle Provox Capsule*. Při této proceduře se zaváděcí tuba nepoužívá.

1. Zasuňte protézu do kapsle Provox Capsule

Delší část kapsle Provox Capsule zlikvidujte a k zavedení použijte kratší část. Ohýbač stiskněte dvěma prsty a do jeho ústí umístěte kapsli (obr. 13). Držte ohýbač pohromadě a ukazovákem držte kapsli směrem dolů (obr. 14). Případně použijte Provox TwistLock, abyste udrželi ohýbač pohromadě. Zavaděč tlačte pevně směrem dopředu; tím se zasune jícnová manžeta hlasové protézy do kapsle.

2. Zkontrolujte řádné zasunutí

Hlasová protéza je nyní zasunutá do kapsle Provox Capsule a ze zavaděče se může sundat ohýbač. Ověřte si, že jícnová manžeta je uvnitř kapsle (obr. 15). Pokud hlasová protéza není řádně ohnutá, proces zasouvání se musí zopakovat s novou kapslí Provox Capsule. Ověřte, že je páska hlasové protézy pevně připojena k zaváděcímu kolíku určenému k zavedení protézy do punkce.

3. Vyměte starou hlasovou protézu a připravte TE punkci (viz oddíl 2.2, body 6 a 7).

4. Zaveďte kapsli Provox Capsule do punkce.

Držte hlasovou protézu v pozici úplného zavedení, dokud se kapsle Provox Capsule nerozpustí a jícnová manžeta se zcela nerozbalí. Lehkým zatažením za pásku hlasové protézy ověřte, že je ve správné pozici.

5. Uvolněte hlasovou protézu

Vyměte z hlasové protézy zaváděcí kolík. Hlasová protéza zůstává v punkci.

6. Dokončete proceduru

Po zavedení proceduru dokončete podle popisu v oddílu 2.5.

*Není k dispozici ve všech zemích.

2.4 Montáž a opětovné naplnění zaváděcího systému Provox Insertion System

Pokud byl první pokus zavést hlasovou protézu Provox Vega do TE punkce neúspěšný, je možné ji znovu zasunout do zaváděcího systému Provox Insertion System.

Umístěte hlasovou protézu

1. Hlasovou protézu namontujte na konec zavaděče, a to tracheální stranou dolů.
2. Připevněte bezpečnostní pásku tak, že ji z každé strany provlečete připevňovacím otvorem.

3. Dbejte na to, aby hlasová protéza byla na hrotu zavaděče řádně umístěna, pevně připojena a aby celý hrot zavaděče byl zasunutý do modrého kroužku hlasové protézy (obr. 3).

Připojte ohýbač

4. Zavaděč ved'te ústím ohýbače, až zacvakne na místo. Zavaděč tahejte tak dlouho, až zapadne do ohýbače (obr. 16). Zaváděcí systém Provox Insertion System je nyní připravený. Pokračujte v přípravě tak, jak je popsáno v oddílu 2.2.

UPOZORNĚNÍ: Zařízení neplňte více než dvakrát. Pokud jsou na hlasové protéze Provox Vega známky jakéhokoli poškození, nepoužívejte ji.

2.5 Dokončení procedury

Po zavedení:

Zajistěte řádné usazení

1. Zajistěte řádné umístění hlasové protézy rotací a jemným tahem zavaděče (obr. 17). Protéza má ideální pozici, když bezpečnostní páska směřuje dolů.

Otestujte správnou funkci

2. Hlasovou protézu Provox Vega očistěte kartáčkem Provox Brush. Otestujte správnou funkci protézy tím, že pacienta požádáte, aby mluvil, a také pozorujte, jestli z protézy neuniká voda, když pacient pije (obr. 18).

Odstříhňte bezpečnostní pásku

3. Poté, co si ověříte, že hlasová protéza je umístěna správně, odstříhňte bezpečnostní pásku tak, aby byla v jedné rovině s tracheální manžetou (obr. 19). Hlasová protéza Provox Vega je nyní připravena k použití.

2.6 Likvidace

Při likvidaci použitého zdravotnického prostředku vždy postupujte podle lékařské praxe a vnitrostátních požadavků týkajících se nakládání s biologickým odpadem.

3. Důležité informace pro pacienta

3.1 Obecné informace

Dbejte na to, aby pacient rozuměl tomu, že se má obrátit na lékaře, když:

- Dochází k prosakování přes protézu nebo kolem ní (kašel nebo změna barvy hlenu).
- Mluvení se stává obtížným (je nutno vyvíjet zvýšenou snahu nebo zvuk hlasu zní napjatěji).
- V místě punkce nebo oblasti stomatu jsou známky zánětu (bolest, zarudnutí, pocit tepla, otok, stopy krve na kartáčku po čištění).

Pacienta také informujte, že:

- Po výměně protézy se ve sputu mohou objevit stopy krve. Tato krev pravděpodobně pochází z granulační tkáně na okrajích TE punkce.
- K dočasnému zastavení úniku tekutin z hlasové protézy může být použita zátka Provox Vega Plug.
- Pro dosažení optimálního zvuku hlasu, plynulé řeči a optimální srozumitelnosti se doporučuje trénování řeči se školeným lékařem.

3.2 Údržba protézy

Pacienta poučte, jak a kdy si má čistit hlasovou protézu Provox Vega. Čištění protézy alespoň dvakrát denně může pomoci prodloužit její životnost.

UPOZORNĚNÍ: Při čištění protézy používejte pouze originální příslušenství Provox, které je určeno pro použití s výrobkem Provox Vega.

- Čištění protézy kartáčkem Provox Brush dvakrát denně pomáhá odstranit z protézy hlen a zbytky jídla.
- Pevné částičky a hlen pomáhá z protézy odstranit také propláchnutí přípravkem Provox Flush, což může pomoci prodloužit životnost zařízení.
Poznámka: Přípravek Provox Flush je určen pouze pro použití pacienty, kteří jsou podle lékaře, který zařízení předepsal, schopni pochopit a důsledně dodržovat návod k použití bez dohledu lékaře.
- Proti nadměrnému růstu kvasinek Candida je užitečné přijmout určitá dietní opatření, například denní příjem jogurtu nebo podmáslí, které obsahují laktobacily.

Podrobné informace o tom, jak čistit hlasovou protézu Provox Vega, najdete v návodu k použití pro každé příslušenství.

4. Další informace

4.1 Kompatibilita s MRI, rentgenem a radioterapií

Hlasové protézy Provox Vega byly testovány na kompatibilitu s magnetickou rezonancí (testováno až do 3 Tesla), rentgenem a radioterapií (testováno až do 70 Gy) a bylo zjištěno, že jsou kompatibilní. Během vyšetření/terapie může být protéza ponechána na svém místě v TE punkci. Radioopákní podložka chlopně je na rentgenu viditelná.

4.2 Životnost zařízení

Životnost zařízení je různá v závislosti na individuálních biologických podmínkách a jeho integritu nelze z dlouhodobého hlediska předpovědět. Materiál zařízení budou ovlivňovat například bakterie a kvasinky, takže se jeho nenarušený stav může nakonec zhoršit.

Laboratorní testy simulovaného použití po dobu 12 měsíců ukazují, že při absenci bakterií a kvasinek si po tuto dobu zařízení uchovává strukturální integritu. Zařízení nebylo testováno po dobu delší než 12 měsíců. Používání po uplynutí tohoto limitu je na uvážení předepisující osoby.

4.3 Kompatibilita s antifungálními léčivými

Laboratorní testy prokázaly při používání následujících antifungálních léčiv jen nepatrný negativní vliv na funkci hlasové protézy Provox Vega a jejích komponent: Nystatin, Flukonazol, Mikonazol.

5. Hlášení

Berte prosím na vědomí, že každá závažná příhoda, jež nastala v souvislosti s používáním prostředku, musí být nahlášena výrobcem a vnitrostátnímu orgánu země, ve které má uživatel a/nebo pacient bydliště.

MAGYAR

Provox® Vega™

1. Általános információ

1.1. Rendeltetés

A Provox Vega hangprotézis steril, egyszer használatos, állandó hangprotézis, amely a hang helyreállítására szolgál a gége (larynx) műtéti eltávolítását (laryngectomia) követően. A hangprotézis tisztítását a beteg végzi el, miközben az eszköz a helyén marad.

A Provox Insertion System steril, egyszer használatos eszköz, amely a Provox Vega hangprotézis anterográd behelyezésére szolgál. Ezt a behelyezési eljárást orvos vagy szakképzett egészségügyi szakember végzi el a helyi vagy országos irányelveknek megfelelően.

A Provox Insertion System nem szolgál hangprotézis frissen készített punkcióba történő behelyezésére.

1.2. Az eszköz leírása

Általános

A Provox Vega egyirányú szelep (protézis), amely a TE-punkciót nyitva tartja beszéd céljából, miközben csökkenti annak kockázatát, hogy folyadék és étel jusson a tracheába. A Provox Vega hangprotézis nem állandó implantátum, időközönként cserélni kell. A protézis (1. ábra) különböző átmérekben és több hosszúságban kapható. Az eszköz orvosi minősítésű szilikonumból és fluoroplasztikából készült.

A Provox Vega csomag

A Provox Vega csomag a következő tételeket tartalmazza:

- 1 darab Provox Vega hangprotézis, egyszer használatos Insertion System behelyezőrendszerbe előre összeszerelve, steril (2. ábra)
- 1 darab Provox Brush kefe, a hangprotézisnek megfelelő méretben, nem steril
- 1 darab Provox Vega Kézikönyv orvosok részére
- 1 darab Provox Vega Kézikönyv betegek részére
- 1 darab Provox Brush Használati útmutató

1.3. ELLENJAVALLATOK

Nincsenek ismert ellenjavallatai a Provox Vega hangprotézis alkalmazásának vagy cseréjének olyan betegeknél, akiknél már használnak protézissel történő hangrehabilitációt.

1.4. BIZTONSÁGI FIGYELMEZTETÉSEK

- **A Provox Vega hangprotézis elmozdulhat vagy kilöködhet** a TE-punkcióból, amit lenyelés, aspiráció vagy szövetkárosodás követhet. A légutakban lévő idegentest súlyos szövődeményeket, például akut légzési elégtelenséget és/vagy légzésleállást okozhat.
- **Válassza a megfelelő méretű protézist.** A szoros illeszkedés szövetelhalást és kilöködést okozhat.
- **Utassítsa a beteget, hogy haladéktalanul forduljon orvoshoz,** ha szöveti ödéma és/vagy gyulladás/fertőzés bármely jelét tapasztalja.
- **Utassítsa a beteget, hogy haladéktalanul forduljon orvoshoz,** ha szivárgás tapasztalható a hangprotézisen keresztül vagy a körül. A szivárgás aspirációs tüdőgyulladást okozhat.
- **Ha használ, válasszon megfelelő alakú laryngectomiás kanült vagy sztómagombot,** amely nem gyakorol nyomást a protézisre, és nem akad a laryngectomiás kanül vagy sztómagomb behelyezése vagy eltávolítása során a protézis tracheaperemébe. Ez súlyos szövetkárosodáshoz és/vagy a protézis véletlen lenyeléséhez vezethet.
- **Utassítsa a beteget, hogy karbantartáshoz csak eredeti, megfelelő méretű Provox tartozékokat használjon** (Brush kefe, Flush öblítő, Plug dugó), és kerüljön minden másfajta manipulációt.
- **Újrafelhasználása és újrafelhasználásra való előkészítése** keresztfertőzést okozhat és károsíthatja az eszközt, ami ártalmas lehet a beteg számára.

1.5. ÓVINTÉZKEDÉSEK.

- A protézis behelyezése vagy cseréje előtti vérzés kockázata miatt gondosan értékeljen minden olyan beteget, aki vérzési rendellenességet mutat, vagy antikoaguláns kezelés alatt áll
- Használat előtt vizsgálja meg a csomagot. Ha a csomag sérült vagy felnyitották, ne használja a terméket.
- A protézis kezelésekor mindig alkalmazzon aseptikus technikát a fertőzés kockázatának csökkentése érdekében.

2. Használati útmutató

2.1. A hangprotézis méretének kiválasztása

A csereprotézis helyes szárátmérőjének és hosszának kiválasztása

Ügyeljen arra, hogy a megfelelő szárátmérőjű és hosszúságú Provox Vega hangprotézist használja. A Provox Vega különböző szárátmérővel és többféle hosszúságban kapható.

• A szárátmérő kiválasztása

Az orvosnak meg kell határoznia a beteg számára megfelelő protézis helyes átmérőjét.

Ha a kiválasztott átmérő nagyobb a korábbi protézisnél, a nyomvonalat ki kell tágítani a behelyezendő protézis átmérőjének megfelelő Provox Dilator tágító segítségével.

Ha kisebb szárátmérőjű protézist helyez be, figyelje meg és győződjön meg arról, hogy a punkció a megfelelő átmérőre szűkül.

• A szárhossz kiválasztása

A helyes hossz kiválasztásához használhatja a jelenlegi protézist mint saját mérőeszközt.

Ha túl nagy (vagyis 3 mm/~0,12 hüvelyk vagy nagyobb) rés van a régi protézis tracheapereme és a nyálkahártya fala között, rövidebb protézist kell használni. Ha a protézis túl szorosan ül, hosszabb protézist kell használni.

2.2. Előkészítés

(3-6. ábra)

A hangprotézis elhelyezése

1. Győződjön meg arról, hogy a hangprotézis megfelelően helyezkedik el a behelyezőtűskén, stabilan rögzül, és a túske vége teljesen be van vezetve a hangprotézis kék gyűrűjébe (3. ábra).

Az oesophagusperem hajlítása

2. Győződjön meg arról, hogy a behelyezőtűske megfelelően van elhelyezve az összehajtó eszközben (a túske be van pattintva az összehajtó eszközbe).
3. Két ujjával nyomja össze az összehajtó eszközt (4. ábra).
4. Csatlakoztassa a betöltőcsövet, miközben az összehajtó eszközt összenyomva tartja, és forgassa a betöltőcsövet, amíg a helyére nem rögzül (5. ábra). (Kapszulás behelyezés esetén ezt a lépést nem kell elvégezni)

Betöltés

5. Tolja előre a bevezetőtűskét, amíg a hangprotézis a betöltőcsövön látható gyűrűvel egy vonalba nem kerül (6. ábra). (Kapszulás behelyezés esetén ezt a lépést nem kell elvégezni)

A régi hangprotézis eltávolítása

6. Távolítsa el a jelenlegi (régi) protézist a TE-punkcióból nem fogazott vérzésgátló csipesszel kihúzva. Másik lehetőségként az orvos belátása szerint a protézis tracheapereme fogóval megfogható és levágható. Ezután a protézis többi részét le kell tolni a nyelőcsőbe, hogy a bélrendszeren keresztül távozzon. A beteg kórtörténetében szereplő bélbetegségeket figyelembe kell venni a módszer használata előtt.

A punkció előkészítése (opcionális)

7. A hangprotézis behelyezésének előkészítése érdekében a punkció kitégíthető. Erre általában nincs szükség, de segítheti a behelyezést olyan betegeknél, akiknél a nyílás szögben elfordul vagy szűk, és könnyen beesik.

2.3. Behelyezés, anterográd csereeljárás

A Provox Vega hangprotézis négyféle módszerrel helyezhető be a Provox Insertion System segítségével. A módszerről az orvos dönt a belátása szerint.

- 2.3.1 Az egész rendszer behelyezése: A teljes behelyezőrendszert használják.
- 2.3.2 A cső behelyezése: Az összehajtó eszközt eltávolítják a behelyezés előtt.
- 2.3.3 Túllövéses behelyezés: A teljes hangprotézist az oesophagusban helyezik el, majd visszahúzzák a kívánt pozícióba.
- 2.3.4 Kapszulás behelyezés: A hangprotézist a behelyezés előtt egy Provox Capsule eszközbe helyezik.

2.3.1 módszer: Az egész rendszer behelyezése

1. Bejuttatás a TE-nyílásba

Tartsa a Provox Insertion System rendszert a betöltőcsőnél fogva. Vezesse be a betöltőcső végét a nyílásba. Ha ellenállást érez, óvatosan folytassa. Ellenállás esetén a nyílás tágítása és/vagy síkosítása megkönnyítheti a behelyezést.

2. A hangprotézis behelyezése

A betöltőcsövet egyik kezével stabilan tartva a másik kezével tolja be a behelyezőtüskét, amíg a disztális megfogási felületen található nyilak egy vonalba nem kerülnek az összehajtó eszköz alsó szélével (7. ábra). Ekkor a hangprotézis oesophaguspereme teljesen ki van nyílvá a nyelőcsőben.

3. A hangprotézis elengedése

Húzza ki a nyílásból egyenesen, együtt a betöltőcsövet és az összehajtó eszközt. A hangprotézis a nyílásban marad; még erősen rögzül a behelyezőtüskéhez.

4. A művelet véglegesítése

A behelyezés után véglegesítse az eljárást az alábbi 2.5. részben ismertetett módon.

2.3.2 módszer: A cső behelyezése

A láthatóság javítása céljából az összehajtó eszköz eltávolítható, miután megtörtént a protézis benyomása a betöltőcsőbe.

Megjegyzés: A protézis betöltésekor a protézis oesophaguspereme megfelelő összehajtásának biztosításához fontos a Provox Insertion System rendszert a hozzá csatlakoztatott összehajtó eszközzel használni.

1. Az összehajtó eszköz eltávolítása

Az összehajtó eszköz eltávolításához szüntesse meg a rögzítést a betöltőcsőhöz, és válassza le (8. ábra).

2. Bejuttatás a TE-nyílásba

Tartsa a Provox Insertion System rendszert a betöltőcsőnél fogva. Vezesse be a betöltőcső végét a nyílásba. Ha ellenállást érez, óvatosan folytassa. Ellenállás esetén a tágitás és/vagy síkosítás megkönnyítheti a behelyezést.

3. A hangprotézis behelyezése

Tolja be a behelyezőtüskét, amíg a proximális megfogási felületen található nyilak egy vonalba nem kerülnek a betöltőcsővel (9. ábra). Ekkor a hangprotézis oesophaguspereme teljesen ki van nyílvá a nyelőcsőben.

4. A hangprotézis elengedése

Egyik kezével fogja a betöltőcsövet, a másik kezével pedig a behelyezőtüskét. Húzza vissza a betöltőcsövet és a behelyezőtüskét, amíg azt nem érzi, hogy az oesophagusperem elérte a nyelőcső elülső falát. Ezután engedje el a behelyezőtüskét, és egyenesen húzza ki a betöltőcsövet a nyílásból. Ezzel kinyílik a tracheaperem.

Megjegyzés: Ha a tracheaperem kinyílik a nyelőcsőben vagy a nyílásban (nem szándékos „tüllövés”), fogja meg a tracheaperemet egy nem fogazott vérszűrtő csipesszel, és húzza, illetve forgassa a hangprotézist a helyére.

5. A művelet véglegesítése

A behelyezés után véglegesítse az eljárást az alábbi 2.5. részben ismertetett módon.

2.3.3 módszer: Tüllöves behelyezés

A Provox Vega „tüllöves” behelyezését esetenként használják az oesophagusperem teljes kialakulásának biztosítása érdekében, ha nehézséget okoz a TE-nyílás.

1. Az összehajtó eszköz eltávolítása (opcionális)

Miután megtörtént a protézis benyomása a betöltőcsőbe, az összehajtó eszköz eltávolításához szüntesse meg a rögzítést a betöltőcsőhöz, és válassza le (8. ábra).

2. Bejuttatás a TE-nyílásba

Tartsa a Provox Insertion System rendszert a betöltőcsőnél fogva. Vezesse be a betöltőcső végét a nyílásba. Ha ellenállást érez, óvatosan folytassa. Ellenállás esetén a tágitás és/vagy síkosítás megkönnyítheti a behelyezést.

3. A hangprotézis behelyezése

A betöltőcsövet egyik kezével stabilan tartva a másik kezével tolja be a behelyezőtüskét a proximális megfogási felületen túl (10. ábra). Ekkor a hangprotézis teljes mértékben el van helyezve a nyelőcsőben (11. ábra).

Ha tüllöves behelyezést végeznek felszerelve hagyott összehajtó eszközzel, tolja a behelyezőtüskét a disztális megfogási felületen túl. Ekkor a hangprotézis teljes mértékben el van helyezve a nyelőcsőben (12. ábra).

4. A hangprotézis elengedése

Húzza ki egyenesen a betöltőcsövet a punkcióból. A protézis a nyelőcsőben marad, továbbra is erősen rögzítve a behelyezőtüskéhez. Fogja meg a tracheaperemet egy nem fogazott vérszűrtő csipesszel, és húzza, illetve forgassa a hangprotézist a helyére.

5. A művelet véglegesítése

A behelyezés után véglegesítse az eljárást az alábbi 2.5. részben ismertetett módon.

2.3.4. 4. módszer: Kapszula bevezetés

Rendeltetésszerű használat

A Provox Capsule egy egyszer használatos kiegészítő standard hangprotézisek orvos általi anterográdfelhelyezéséhez a gégeeltávolított beteg tracheoesophagealis punkciójába.

Az eszköz leírása

A Provox Capsule eszközök növényi alapú, vízben oldható anyagból készültek, és a különböző méretek három különböző átmérőjű – 17, 20 és 22,5 Fr – hangprotézis behelyezését teszik lehetővé.

FIGYELMEZTETÉSEK

- Mindig ügyeljen arra, hogy a hangprotézis megfelelően legyen összehajtván, és a behelyezés előtt megfelelően lett behelyezve a Provox Capsule eszközbe. Ha a Provox Capsule eszköz idő előtt lejön, a beteg beszívhatja azt. Felhívjuk a figyelmét, hogy a kenőanyagok megnehezíthetik a Capsule eszköz rögzítését.
- Ne használja a Provox Capsule eszközt, ha szennyeződés gyanúja merül fel.
- Ne használja a Provox Capsule eszközt, ha a csomagolás vagy a kapszulák sérültnek tűnnek.
- Ellenőrizze, hogy a hangprotézis működik a TE-punkcióba való behelyezés után. Mindig tartsa be a használati utasításban a behelyezett hangprotézisre megadott óvintézkedéseket.

ÖVINTÉZKEDÉSEK

- Ne használjon éles eszközt az oesophagusperem Provox Capsule eszközbe való behelyezéséhez, mert ez károsíthatja a hangprotézist.
- Csak a hangprotézis átmérőjével azonos vagy egy mérettel nagyobb Provox Capsule eszközt használjon.

A Provox Insertion System összehajtó eszköze segítségével egy Provox Vega hangprotézis oesophaguspereme összehajtható egy Provox Capsule kapszulába*. Ebben az eljárásban a betöltőcső nem használatos.

1. A protézis behelyezése a Provox Capsule kapszulába

Dobja ki a Provox Capsule eszköz hosszú részét, és csak a rövid részt használja a behelyezéshez. Két ujjával nyomja össze az összehajtó eszközt, és helyezze a kapszulát az összehajtó eszköz nyílásába (13. ábra). Tartsa összeszorítva az összehajtó eszközt, miközben a kapszulát benyomva tartja a mutatóujjával (14. ábra). Használhatja a Provox TwistLock eszközt is az összehajtó eszköz egyben tartásához. Erősen tolja előre a behelyezőtüskét, ezzel betöltve a hangprotézis oesophagusperemét a kapszulába.

2. A megfelelő betöltés ellenőrzése

A hangprotézis ezzel be van töltve a Provox Capsule kapszulába, és az összehajtó eszköz eltávolítható a behelyezőtüskéről. Ellenőrizze, hogy az oesophagusperem a kapszulában van-e (15. ábra). Ha a hangprotézis nincs megfelelően összehajtva, a betöltési eljárást meg kell ismételni egy új Provox Capsule kapszulával. Ellenőrizze, hogy a hangprotézis szíja rögzítve van a protézisnek a punkcióba való behelyezésére szolgáló behelyezőtüskére.

3. Távolítsa el a régi hangprotézist, és készítse elő a TE-punkciót (lásd: 2.2. rész, 6. és 7. pont).

4. Helyezze be a Provox Capsule eszközt a punkcióba.

Tartsa a hangprotézis teljesen behelyezett állapotban, amíg a Provox Capsule fel nem oldódik és az oesophagusperem teljesen szét nem nyílik. Húzza meg kicsit a hangprotézis szíját annak ellenőrzéséhez, hogy a megfelelő helyen van.

5. Oldja ki a hangprotézist

Távolítsa el a bevezetőtüskét a hangprotézisből. A hangprotézis a punkcióban marad.

6. A művelet véglegesítése

A behelyezés után véglegesítse az eljárást az alábbi 2.5. részben ismertetett módon

* Nem minden országban kapható.

2.4. A Provox Insertion System összeszerelése és újratöltése

Ha a Provox Vega hangprotézis TE-nyílásba való behelyezésének első kísérlete sikertelen volt, újra betöltheti a hangprotézist a Provox Insertion System rendszerbe.

A hangprotézis elhelyezése

1. Rögzítse a hangprotézist a trachea felőli oldalával lefelé a behelyezőtüske tetejére.
2. A biztonsági szíj csatlakoztatásához vezesse azt át bármelyik oldali szíjvezető nyíláson.
3. Győződjön meg arról, hogy a hangprotézis megfelelően helyezkedik el a behelyezőtüskén, stabilan rögzül, és a tüske vége teljesen be van vezetve a hangprotézis kék gyűrűjébe (3. ábra).

Az összehajtó eszköz csatlakoztatása

4. Vezesse a behelyezőtüskét az összehajtó eszköz nyílásán keresztül, amíg a helyére nem kattann. Húzza át a behelyezőtüskét, amíg az be nem pattan az összehajtó eszközbe (16. ábra). A Provox Insertion System rendszer így készen áll az előkészítésre. Folytassa az előkészítést a fenti 2.2. részben ismertetett módon.

FIGYELEM: Ne végezzen több mint kettő újratöltést. Ha a Provox Vega hangprotézis a sérülés bármilyen jelét mutatja, ne használja a hangprotézist.

2.5. A művelet véglegesítése

Behelyezés utáni teendők:

A megfelelő illeszkedés ellenőrzése

1. Győződjön meg a hangprotézis megfelelő elhelyezkedéséről úgy, hogy forgatja és óvatosan meghúzza a behelyezőtüskét (17. ábra). A protézis ideális helyzetben van, ha a biztonsági szíj lefelé mutat.

A megfelelő működés tesztelése

2. Kéfélje a Provox Vega protézist a Provox Brush kefével. Tesztelje a protézis megfelelő működését; ehhez kérje meg a beteget, hogy beszéljen, és figyelje meg, hogy a protézis nem szívárog-e, miközben a beteg vizet iszik (18. ábra).

A biztonsági szíj levágása

3. Miután meggyőződött arról, hogy a protézis megfelelően van behelyezve, vágja le a biztonsági szíjat a tracheaperem szintjében (19. ábra). A Provox Vega hangprotézis így készen áll a használatra.

2.6 Hulladékba helyezés

Használt orvosi eszközök hulladékba helyezésénél mindig kövesse a biológiailag veszélyes hulladékok kezelésére vonatkozó orvosi gyakorlatot és nemzeti követelményeket.

3. A betegekre vonatkozó fontos információk

3.1. Általános információk

Ügyeljen arra, hogy a beteg megértse: a következő esetekben orvoshoz kell fordulnia:

- Szivárgás észlelhető a protézisen keresztül vagy körülötte (köhögés; és/vagy a nyálka színének megváltozása).
- Nehézzé válik a beszéd (nagyobb erőfeszítés és/vagy a hang erőltetettebbnek tűnik).

- A punkció vagy a sztóma területén gyulladás vagy a szövet elváltozásának bármely jele tapasztalható (fájdalom, hő, duzzanat, vérnyomok a kefén annak használata után).

Tájékoztassa a beteget a következőkről is:

- Protéziscsere után vérnyomok lehetnek a köpetben. Ez a TE-punkció szélén lévő granulációs szövetből eredhet.
- A Provox Vega Plug dugó segítségével a hangprotézisen keresztüli szivárgás átmenetileg leállítható.
- Beszédtanulási ülések javasoltak szakképzett orvossal az optimális beszédhang, a folyékony beszéd és az optimális érthetőség létrehozása érdekében.

3.2. A protézis karbantartása

Lássa el instrukcióival a beteget arra vonatkozóan, hogy mikor és hogyan tisztítsa a Provox Vega hangprotézist. A protézis napi legalább kétszeri tisztítása elősegítheti az eszköz élettartamának meghosszabbítását.

FIGYELEM: A protézis tisztításakor csak eredeti Provox tartozékokat használjon, amelyeket a Provox Vega protézissel való használatra terveztek.

- A protézis napi kétszeri kikefélése a Provox Brush kefével elősegíti a nyálka és az ételmaradékok eltávolítását a protézisből.
- A protézis átöblítése a Provox Flush öblítővel szintén elősegítheti a törmelék és nyálka kitisztítását a protézisből, ami növeli az eszköz élettartamát.
Megjegyzés: A Provox Flush öblítő kizárólag olyan betegek által történő alkalmazásra szolgál, akik az eszközt felíró orvos megítélése szerint képesek arra, hogy megértsék és következetesen kövessék a használati útmutatót az orvos felügyelete nélkül.
- Egyes étkezési intézkedések, például joghurt vagy lactobacillusokat tartalmazó tejtermék napi fogyasztása segítséget jelent a túlzott Candida-növekedéssel szemben.

A Provox Vega tisztítására vonatkozó részletes információkat lásd az egyes tartozékok útmutatójában.

4. További információ

4.1. Kompatibilitás MR-képképzéssel, röntgennel és sugárterápiával

A Provox Vega hangprotéziseket megvizsgálták és kompatibilisnek találták a mágneses rezonancias képalkotással (3 tesla erősségig vizsgálták), röntgennel és sugárkezeléssel (70 Gy-ig vizsgálták). A protézis a TE-punkcióban hagyható a vizsgálat/terápiás munkamenet során. Felhívjuk figyelmét arra, hogy a sugárfogó szelepfészek röntgenfelvételen látható.

4.2. Az eszköz élettartama

Az egyéni biológiai körülményektől függően az eszköz élettartama változó, és nem jósolható meg annak épsége hosszabb időn keresztül. Az eszköz anyagát károsítják például a baktériumok és az élesztőgombák, ami miatt az eszköz szerkezeti épsége romlani fog.

Szimulált használat laboratóriumi vizsgálata 12 hónapos tesztidőszakig azt mutatta, hogy baktériumok és élesztőgombák jelenléte nélkül az eszköz megőrzi szerkezeti épségét ennyi ideig. Az eszközt nem tesztelték 12 hónapnál hosszabb használatra. Az ezen időtartamon túli használat az eszköz felírójának kizárólagos belátásán múlik.

4.3. Kompatibilitás gombaellenes gyógyszerekkel

Laboratóriumi vizsgálatok a következő gombaellenes gyógyszerek alkalmazásakor a Provox Vega hangprotézis és alkatrészei működését érintő csupán kismértékű negatív hatást mutattak: nisztatin, flukonazol, mikonazol.

5. Jelentési kötelezettség

Felhívjuk figyelmét, hogy az eszközt érintő bármilyen súlyos balesetet jelenteni kell a gyártónak és a felhasználó/beteg lakóhelye szerint illetékes ország hatóságának.

SLOVENČINA

Provox® Vega™

1. Popis

1.1 Účel použitia

Hlasová protéza Provox Vega je sterilná vnútorne zavádzaná hlasová protéza na jednorazové použitie určená na rehabilitáciu hlasu po chirurgickom odstránení hrtana (laryngektómii). Čistenie hlasovej protézy vykonáva pacient, pričom protéza zostáva zavedená na mieste.

Zavádzací systém Provox Insertion System je sterilné zariadenie na jednorazové použitie určené na anterochránu výmenu hlasovej protézy Provox Vega. Výmenu vykonáva lekár alebo vyškolený zdravotnícky pracovník v súlade s miestnymi alebo štátnymi predpismi.

Zavádzací systém Provox Insertion System nie je určený na zavedenie hlasovej protézy do čerstvo vytvorenej punkcie.

1.2 Popis pomôcky

Všeobecné informácie

Provox Vega je jednocestný ventil (protéza) udržiavajúci TE punkciu otvorenú, aby sa umožnilo rozprávanie, pričom zároveň znižuje riziko vniknutia tekutín a potravy do priedušnice. Hlasová protéza Provox Vega nie je permanentný implantát a musí sa pravidelne vymieňať. Protéza (obr. 1) je dostupná s rôznymi priermi a viacerými dĺžkami. Je vyrobená zo silikónovej gúmy a fluoroplastu medicínskej kvality.

Balenie hlasovej protézy Provox Vega

Balenie hlasovej protézy Provox Vega obsahuje nasledujúce položky:

- 1 sterilná vopred zostavená hlasová protéza Provox Vega v zavádzacom systéme na jednorazové použitie (obr. 2),
- 1 nesterilná kefka Provox Brush s veľkosťou zodpovedajúcou hlasovej protéze,
- 1 príručka k protéze Provox Vega pre lekárov,
- 1 príručka k protéze Provox Vega pre pacientov,
- 1 návod na použitie kefky Provox Brush.

1.3 KONTRAINDIKÁCIE

Nie sú známe žiadne kontraindikácie použitia alebo výmeny hlasovej protézy Provox Vega u pacientov, ktorí už využívajú protetickú rehabilitáciu hlasu.

1.4 VÝSTRAHY

- **Môže dôjsť k dislokácii alebo vytlačeniu hlasovej protézy Provox Vega z TE punkcie a k jej následnému prehltnutiu alebo vdychnutiu či k poškodeniu tkaniva.** Cudzie teliesko v dýchacích cestách môže spôsobiť závažné komplikácie, ako napríklad akútnu dychovú tieseň a/alebo zastavenie dýchania.
- **Výberte správnu veľkosť protézy.** Príliš tesná fixácia môže spôsobiť nekrózu tkaniva a extrúziu.
- **Poučte pacienta, aby sa v prípade akýchkoľvek známok opuchu a/alebo zápalu či infekcie tkaniva ihneď obrátil na lekára.**
- **Poučte pacienta, aby sa v prípade presakovania tekutiny cez hlasovú protézu alebo okolo nej obrátil na lekára.** Presakovanie môže spôsobiť aspiračnú pneumóniu.
- **Ak používate laryngotomické tuby alebo stomické gombíky, zvolte vhodný tvar,** aby počas ich zavádzania alebo odstraňovania nevyvíjali tlak na protézu ani sa nezachytávajú o tracheálnu manžetu protézy. To môže viesť k závažnému poškodeniu tkaniva a/alebo náhodnému prehltnutiu protézy.
- **Poučte pacienta, aby na údržbu používal iba originálne príslušenstvo Provox** zodpovedajúcej veľkosti (Brush, Flush, Plug) a aby sa vyvaroval akejkoľvek inej manipulácie.
- **Pri opakovanom použití a uvedení do znovu použiteľného stavu môže dôjsť ku skříženej kontaminácii a k poškodeniu pomôcky, čo môže spôsobiť pacientovi zdravotnú ujmu.**

1.5 PREVENTÍVNE OPATRENIA

- Pred zavedením alebo výmenou protézy starostlivo vyšetrte pacientov s krváčovými poruchami a pacientov, ktorí podstupujú antikoagulačnú liečbu, či u nich nehrozí riziko krvácania alebo hemorágie.
- Pred použitím skontrolujte balenie. Ak je balenie poškodené alebo otvorené, produkt nepoužívajte.
- Pri manipulácii s protézou vždy používajte aseptickú techniku, aby sa znížilo riziko infekcie.

2. Návod na použitie

2.1 Voľba veľkosti hlasovej protézy

Voľba správneho priemeru a správnej dĺžky drieku náhradnej protézy

Dbajte na to, aby ste použili hlasovú protézu Provox Vega so správnym priemerom a správnou dĺžkou drieku. Hlasová protéza Provox Vega sa dodáva s rôznymi priermi a viacerými dĺžkami drieku.

• Výber priemeru drieku

Lekár musí určiť správny priemer protézy vhodný pre daného pacienta.

Ak je zvolený priemer väčší ako predchádzajúca protéza, dýchacia trubica sa musí rozšíriť pomocou dilatátora Provox Dilator podľa priemeru protézy, ktorá má byť zavedená.

Ak sa zavádza protéza s menším priemerom drieku, uistite sa, že punkcia sa stiahla na príslušný priemer.

• Výber dĺžky drieku

Pri výbere správnej dĺžky môžete použiť ako meradlo existujúcu protézu.

Ak je medzi tracheálnou manžetou starej protézy a stenou sliznice príliš veľká medzera (približne 3 mm/0,12 palca alebo viac), je nutné použiť kratšiu protézu. Ak je protéza príliš tesná, je nutné použiť dlhšiu protézu.

2.2 Príprava

(obr. 3 – 6)

Umiestnenie hlasovej protézy

1. Dbajte na to, aby hlasová protéza bola správne umiestnená na zavádzacom kolíku, pevne pripojená a aby bola špička kolíka úplne zasunutá do modrého krúžku hlasovej protézy (obr. 3).

Zloženie pažerákovej manžety

2. Overte, či je zavádzací kolík správne umiestnený pomocou skladacieho nástroja (kolík musí byť uchytený v ohýbači).
3. Skladací nástroj stlačte dvomi prstami (obr. 4).
4. Podržte skladací nástroj zatvorený, pripojte zasúvaciu tubu a otočte ju tak, aby zacvakla na miesto (obr. 5).
(Neplatí pri zavádzaní pomocou kapsuly.)

Zasunutie

5. Ztlačte zavádzací kolík dopredu, až kým sa hlasová protéza nezarovná s viditeľným krúžkom na zasúvacej tube (obr. 6). (Neplatí pri zavádzaní pomocou kapsuly.)

Odstránenie starej hlasovej protézy

6. Z TE punkcie odstráňte existujúcu (starú) protézu tak, že ju opatrne vytiahnete von neozubeným hemostatom. Tracheálnu manžetu protézy možno prípadne podľa uváženia lekára uchopiť klieštikmi a odstrihnúť ju. Zvyšok protézy sa potom vytlačí do pažeráka, odkiaľ prejde tráviacim traktom. Pred použitím tohto spôsobu sa musia zohľadniť všetky prípadné ochorenia tráviaceho traktu v anamnéze pacienta.

Príprava punkcie (voliteľná)

7. Pri príprave na zavedenie hlasovej protézy môže byť vykonaná dilatácia punkcie. Zvyčajne to nie je nutné, ale môže to uľahčiť zavádzanie u pacientov so šikmými alebo úzkymi punkciami, ktoré ľahko kolabujú.

2.3 Zavedenie, postup anterogradnej výmeny

Pri zavádzaní hlasovej protézy Provox Vega zavádzacím systémom Provox Insertion System je možné použiť štyri metódy. Výber metódy je na uvážení lekára.

- 2.3.1 Zavedenie pomocou systému: Používa sa celý zavádzací systém.
- 2.3.2 Zavedenie pomocou tuby: Pred zavedením sa odstráni skladací nástroj.
- 2.3.3 Zavedenie s presahom: Celá hlasová protéza sa zavedie do pažeráka a potom sa povytiahne do požadovanej polohy.
- 2.3.4 Zavedenie pomocou kapsuly: Pred zavedením sa hlasová protéza umiestni do kapsuly Provox Capsule.

2.3.1 Metóda č. 1: Zavedenie pomocou systému

1. Zasunutie do TE punkcie

Uchopte zavádzací systém Provox Insertion System za zasúvaciu tubu. Špičku zasúvacej tuby zaveďte do punkcie. Ak narazíte na odpor, postupujte opatrne. Pri odpore možno zavádzanie uľahčiť dilatáciou a/alebo lubrikáciou.

2. Zavedenie hlasovej protézy

Jednou rukou stabilne podržte zasúvaciu tubu a druhou rukou zatlačte na zavádzací kolík, až kým šípky na povrchu distálneho držadla nebudú zarovnané s dolným okrajom skladacieho nástroja (obr. 7). V tomto bode je pažeráková manžeta hlasovej protézy úplne rozložená v pažeráku.

3. Uvoľnenie hlasovej protézy

Zasúvaciu tubu spolu so skladacím nástrojom vytiahnite rovno smerom von z punkcie. Hlasová protéza zostáva v punkcii, pričom je stále pevne pripojená k zavádzaciemu kolíku.

4. Dokončenie postupu

Po zavedení dokončíte postup podľa popisu v časti 2.5.

2.3.2 Metóda č. 2: Zavedenie pomocou tuby

Po zatlačení protézy do zasúvacej tuby možno z dôvodu zlepšenia viditeľnosti odstrániť skladací nástroj.

Poznámka: Pri zasúvaní protézy je dôležité vždy používať zavádzací systém Provox Insertion System s pripojeným skladacím nástrojom, aby sa zaručilo riadne zloženie pažerákovej manžety.

1. Odstránenie skladacieho nástroja

Odstráňte skladací nástroj jeho odistením a odpojením od zasúvacej tuby (obr. 8).

2. Zasunutie do TE punkcie

Uchopte zavádzací systém Provox Insertion System za zasúvaciu tubu. Špičku zasúvacej tuby zaveďte do punkcie. Ak narazíte na odpor, postupujte opatrne. Pri odpore možno zavádzanie uľahčiť dilatáciou a/alebo lubrikáciou.

3. Zavedenie hlasovej protézy

Druhou rukou zatlačte na zavádzací kolík tak, aby šípky na povrchu proximálneho držadla boli zarovnané so zasúvacou tubou (obr. 9). V tomto bode je pažeráková manžeta hlasovej protézy úplne rozložená v pažeráku.

4. Uvoľnenie hlasovej protézy

Jednou rukou držte zasúvaciu tubu a druhou rukou držte zavádzací kolík. Zasúvaciu tubu spolu so zavádzacím kolíkom potiahnite dozadu, až kým neucítite, že pažeráková manžeta dosiahla prednú stenu pažeráka. Potom uvoľnite zavádzací kolík a vytiahnite zasúvaciu tubu rovno z punkcie. Tým sa uvoľní tracheálna manžeta.

Poznámka: Ak sa tracheálna manžeta rozloží v pažeráku alebo punkcii (neželané zavedenie s presahom), uchopte tracheálnu manžetu neozubeným hemostatom a hlasovú protézu zaveďte potiahnutím/otočením na správne miesto.

5. Dokončenie postupu

Po zavedení dokončíte postup podľa popisu v časti 2.5.

2.3.3 Metóda č. 3: Zavedenie s presahom

Zavedenie hlasovej protézy Provox Vega s presahom sa príležitostne vykonáva s cieľom zaručiť úplné rozloženie pažerákovkej manžety v prípade zložitých TE punkcií.

1. Odstránenie skladacieho nástroja (voliteľné)

Po zatlačení protézy do zasúvacej tuby odstráňte skladací nástroj jeho odistením a odpojením od zasúvacej tuby (obr. 8).

2. Zasunutie do TE punkcie

Uchopte zavádzací systém Provox Insertion System za zasúvaciu tubu. Špičku zasúvacej tuby zaveďte do punkcie. Ak narazíte na odpor, postupujte opatrne. Pri odpore možno zavádzanie uľahčiť dilatáciou a/alebo lubrikáciou.

3. Zavedenie hlasovej protézy

Jednou rukou držte pevne zasúvaciu tubu a druhou rukou zatlačte zavádzací kolík za povrch proximálneho držadla (obr. 10). V tomto bode je protéza úplne zavedená do pažeráka (obr. 11).

Ak sa vykonáva zavedenie s presahom so zostaveným skladacím nástrojom, zatlačte zavádzací kolík za povrch distálneho držadla. V tomto bode je protéza úplne zavedená do pažeráka (obr. 12).

4. Uvoľnenie hlasovej protézy

Zasúvaciu tubu vytiahnite rovno smerom von z punkcie. Hlasová protéza zostáva v pažeráku, pričom je stále pevne pripojená k zavádzaciemu kolíku. Uchopte tracheálnu manžetu neozubeným hemostatom a hlasovú protézu zaveďte potiahnutím/otočením na správne miesto.

5. Dokončenie postupu

Po zavedení dokončíte postup podľa popisu v časti 2.5.

2.3.4 Metóda č. 4: Zavedenie pomocou kapsuly

Účel použitia

Kapsula Provox Capsule je príslušenstvo na jednorazové použitie pre lekárov určené na anterográdne zavedenie štandardnej hlasovej protézy do tracheozofageálnej punkcie pacienta po laryngektómii.

Popis pomôcky

Kapsuly Provox Capsule sú vyrobené z materiálu rastlinného pôvodu rozpustného vo vode a sú k dispozícii vo veľkostiach vhodných pre tri rôzne priemery hlasových protéz: 17, 20 a 22,5 Fr.

VAROVANIA

- Pred zavedením vždy skontrolujte, či je hlasová protéza správne zložená a či je správne zasunutá do kapsuly Provox Capsule. Ak sa kapsula Provox Capsule predčasne uvoľní, môže dôjsť k jej vdychnutiu. Poznamenávame, že mazivá môžu zhoršiť pripevnenie kapsuly.
- Nepoužívajte kapsulu Provox Capsule, ak existuje podozrenie na kontamináciu.
- Nepoužívajte kapsuly Provox Capsule, ak sa kapsuly alebo ich obal zdajú byť poškodené.
- Po zavedení do punkcie TE sa uistite, že hlasová protéza je funkčná. Po zavedení vždy dodržiavajte bezpečnostné preventívne opatrenia uvedené v návode na použitie hlasovej protézy.

PREVENTÍVNE OPATRENIA

- Na zasunutie pažerákovkej manžety do kapsuly Provox Capsule nepoužívajte ostré predmety, pretože by to mohlo poškodiť hlasovú protézu.
- Použite výhradne kapsulu Provox Capsule rovnakej veľkosti alebo o jednu veľkosť väčšiu, než je priemer hlasovej protézy.

Skladací nástroj zavádzacieho systému Provox Insertion System môže byť použitý na zloženie pažerákovkej manžety štandardnej hlasovej protézy Provox Vega do kapsuly Provox Capsule*. Pri tomto postupe sa zavádzacia tuba nepoužíva.

1. Zasunutie protézy do kapsuly Provox Capsule

Dlhú časť kapsuly Provox Capsule zlikvidujte a na zasunutie použite krátku časť. Skladací nástroj stlačte dvomi prstami a do jeho ústia umiestnite kapsulu (obr. 13). Držte skladací nástroj stlačený a ukazovák pridržajte kapsulu dole (obr. 14). Prípadne použite Provox TwistLock na udržanie skladacieho nástroja pohromade. Zavádzací kolík zatlačte pevne smerom dopredu, čím sa zasunie pažeráková manžeta hlasovej protézy do kapsuly.

2. Kontrola správneho zasunutia

Hlasová protéza je teraz zasunutá do kapsuly Provox Capsule a skladací nástroj možno odstrániť zo zavádzacieho kolíka. Overte, či je pažeráková manžeta vnútri kapsuly (obr. 15). Ak hlasová protéza nie je riadne zložená, proces zasúvania sa musí zopakovať s novou kapsulou Provox Capsule. Uistite sa, že popruh hlasovej protézy je pripevnený k zavádzaciemu kolíku určenému na zavedenie protézy do punkcie.

3. Odstráňte starú hlasovú protézu a pripravte TE punkciu (pozrite si časť 2.2, body 6 a 7).

4. Zaveďte kapsulu Provox Capsule do punkcie.

Hlasovú protézu držte v úplne zavedenej polohe, až kým sa kapsula Provox Capsule nerozpustí a kým sa pažeráková manžeta nerozvinie. Mierne zatiahnite za popruh hlasovej protézy, aby ste sa uistili, že je v správnej polohe.

5. Uvoľnenie hlasovej protézy

Odstráňte zavádzací kolík z hlasovej protézy. Hlasová protéza zostane v punkcii.

6. Dokončenie postupu

Po zavedení dokončíte postup podľa popisu v časti 2.5.

* Nie je k dispozícii vo všetkých krajinách.

2.4 Zostavenie a opätovné naplnenie zavádzacieho systému Provox Insertion System

Ak bol prvý pokus zaviesť hlasovú protézu Provox Vega do TE punkcie neúspešný, možno ju znova zasunúť do zavádzacieho systému Provox Insertion System.

Umiestnenie hlasovej protézy

1. Hlasovú protézu namontujte na hornú časť zavádzacieho kolíka s tracheálnou stranou smerom nadol.
2. Pripevnite bezpečnostný popruh tak, že ho z jednej strany prevlečiete prípojným otvorom.
3. Dbajte na to, aby hlasová protéza bola správne umiestnená na zavádzacom kolíku, pevne pripojená a aby bola špička kolíka úplne zasunutá do modrého krúžku hlasovej protézy (obr. 3).

Pripojenie skladacieho nástroja

4. Zavádzací kolík vedťe ústím skladacieho nástroja, až kým nezacvakne na miesto. Potiahnutím zavádzacieho kolíka ho uchyťte do skladacieho nástroja (obr. 16). Zavádzací systém Provox Insertion System je teraz nachystaný na prípravu. Pokračujte v príprave podľa pokynov v časti 2.2 vyššie.

UPOZORNENIE: Zariadenie neplňte viac ako dvakrát. Ak hlasová protéza Provox Vega vykazuje akékoľvek známky poškodenia, nepoužívajte ju.

2.5 Dokončenie postupu

Po zavedení:

Zaistenie riadneho usadenia

1. Zaistite riadne umiestnenie hlasovej protézy rotáciou a jemným ťahom zavádzacieho kolíka (obr. 17). Protéza má ideálnu polohu, keď bezpečnostný popruh smeruje nadol.

Otestovanie správnej funkcie

2. Hlasovú protézu Provox Vega očistite kefkou Provox Brush. Otestujte správnu funkciu protézy tým, že pacienta požiadate, aby ničो povedal, a tiež sledovaním toho, či protéza nepresakuje, keď pacient pije vodu (obr. 18).

Odstrihnutie bezpečnostného popruhu

3. Po overení správneho umiestnenia hlasovej protézy odstrihnite bezpečnostný popruh tak, aby bol zarovnaný s tracheálnou manžetou (obr. 19). Hlasová protéza Provox Vega je teraz pripravená na použitie.

2.6 Likvidácia

Pri likvidácii použitej zdravotníckej pomôcky vždy dodržiavajte lekársku prax a vnútroštátne požiadavky týkajúce sa biologického nebezpečenstva.

3. Dôležité informácie pre pacientov

3.1 Všeobecné informácie

Dbajte na to, aby pacient rozumel tomu, že v nasledujúcich prípadoch sa má obrátiť na lekára:

- Dochádza k presakovaniu cez protézu alebo okolo nej (kašeľ a/alebo zmena farby hlienu).
- Začne sa mu ťažko rozprávať (vyžaduje sa väčšie úsilie a/alebo hlas znie namáhavejšie).
- Prejavia sa príznaky zápalu alebo zmien tkaniva v mieste punkcie alebo v oblasti stómie (bolesť, začervenanie, pocit tepla, opuch, stopy krvi na kefke po použití).

Pacienta tiež informujte, že:

- Po výmene protézy sa vo vykašliavaných hlienoch môžu objaviť stopy krvi. Táto krv môže pochádzať z granulačného tkaniva na okrajoch TE punkcie.
- Na dočasné zastavenie presakovania cez hlasovú protézu možno použiť zátku Provox Vega Plug.
- Na dosiahnutie optimálneho zvuku hlasu, súvislej reči a optimálnej zrozumiteľnosti sa odporúča tréning reči s vyškoleným lekárom.

3.2 Údržba protézy

Pacienta poučte, ako a kedy má čistiť svoju hlasovú protézu Provox Vega. Čistenie protézy aspoň dvakrát denne môže pomôcť predĺžiť jej životnosť.

UPOZORNENIE: Používajte len originálne príslušenstvo Provox, ktoré je určené na čistenie protézy Provox Vega.

- Čistenie protézy kefkou Provox Brush dvakrát denne pomáha odstraňovať z protézy hlien a zvyšky potravy.
- Prepláchnutie protézy pomocou balónika Provox Flush tiež napomáha odstráneniu nečistôt a hlienu z protézy, čím sa predlžuje jej životnosť.

Poznámka: Preplachovací balónik Provox Flush je určený na použitie iba u pacientov, ktorí sú podľa lekára predpisujúceho túto pomôcku schopní pochopiť a dôsledne dodržiavať návod na použitie bez dohľadu lekára.

- Niektoré dietetické opatrenia, ako napríklad každodenná konzumácia jogurtu alebo cmaru s obsahom laktobacilov, sa považujú za prospešné pri prevencii nadmerného rastu kvasiniek.

Podrobne informácie o tom, ako čistiť hlasovú protézu Provox Vega, nájdete v návode na použitie daného príslušenstva.

4. Ďalšie informácie

4.1 Kompatibilita s vyšetrením MR, röntgenovým vyšetrením a radiačnou terapiou

Testovaním hlasových protéz Provox Vega sa zistilo, že sú kompatibilné s vyšetrením magnetickou rezonanciou (testovali sa až do intenzity magnetického poľa 3 Tesla), röntgenovým vyšetrením a radiačnou terapiou (testovali sa až do dávky 70 Gy). Počas vyšetrenia alebo terapie môže byť protéza ponechaná na svojom mieste v TE punkcii. Röntgenkontrastné sedlo ventilu je viditeľné na röntgenovej snímke.

4.2 Životnosť pomôcky

Životnosť pomôcky sa líši v závislosti od individuálnych biologických okolností a zachovanie jej integrity nie je možné predvídať v dlhodobjšom horizonte. Na materiál pomôcky majú vplyv napr. baktérie a kvasinky a časom napokon dôjde k narušeniu jej štruktúrálnej integrity.

Laboratórne testy simulovaného používania po dobu 12 mesiacov ukazujú, že pri absencii baktérií a kvasiniek si táto pomôcka uchováva po celú túto dobu neporušenú štruktúrnu integritu. Pomôcka nebola testovaná po dobu dlhšiu ako 12 mesiacov. Používanie nad rámec tohto limitu je výhradne na zväžení predpisujúceho lekára.

4.3 Kompatibilita s antifungicídnyimi liečivami

Laboratórne testy preukázali pri používaní nasledujúcich antifungicídnych liečiv iba nepatrný negatívny vplyv na funkciu hlasovej protézy Provox Vega a jej súčastí: nystatín, flukonazol, mikonazol.

5. Nahlasovanie incidentov

Upozorňujeme, že každý závažný incident, ku ktorému dôjde v súvislosti s týmto zariadením, sa musí oznámiť výrobcovi a príslušnému štátnemu orgánu krajiny, v ktorej má používateľ a/alebo pacient bydlisko.

SLOVENŠČINA

Provox® Vega™

1. Opisne informácie

1.1 Namen uporabe

Govorna proteza Provox Vega je sterilna govorna proteza za enkratno uporabo, ki se menja periodično, in se uporablja za govorno rehabilitacijo po kirurški odstranitvi grla (laringektomiji). Bolnik sam čisti govorno protezo in je pri tem ne premika z mesta namestitve.

Provox Insertion System je sterilni set pripomočkov za enkratno uporabo, ki je namenjen anterogradni zamenjavi proteze Provox Vega. Ta postopek zamenjave opravi zdravnik ali usposobljeni zdravstveni delavec skladno z lokalnimi ali nacionalnimi smernicami.

Sistem za vstavljanje Provox Insertion System ni primeren za vstavljanje govorne proteze v sveže narejeno punkcijo.

1.2 Opis pripomočka

Splošno

Proteza Provox Vega je enosmerni ventil (proteza), ki traheozofagealno punkcijo pušča odprto za govor, medtem ko zmanjšuje tveganje, da bi tekočina in hrana prišla v sapnik. Govorna proteza Provox Vega ni stalni vsadek, zato jo je treba redno menjati. Proteza (sl. 1) je na voljo v različnih premerih in številnih dolžinah. Pripomoček je izdelan iz medicinskega silikona in fluoroplastike.

Paket Provox Vega

Paket Provox Vega vsebuje naslednje:

- 1 govorno protezo Provox Vega, predhodno sestavljena v sistemu za vstavljanje za enkratno uporabo Insertion System, sterilna (sl. 2)
- 1 ščetko Provox z velikostjo, ki se ujema z govorno protezo, nesterilna
- 1 priročnik Provox Vega za zdravnike
- 1 priročnik Provox Vega za bolnike
- 1 navodila za uporabo ščetke Provox

1.3 KONTRAINDIKACIJE

Kontraindikacije v zvezi z uporabo ali zamenjavo govorne proteze Provox Vega med bolniki, pri katerih že poteka govorna rehabilitacija s pomočjo proteze, niso znane.

1.4 OPOZORILA

- **Pojavi se lahko premikanje ali iztiskanje govorne proteze Provox Vega** iz traheozofagealne punkcije in posledično zaužitje proteze, ki lahko povzroči poškodbe tkiv ali aspiracijo. Prisotnost tujka v dihalnih poteh lahko povzroči hude zaplete, kot je sindrom akutne dihalne stiske in/ali respiratorni zastoj.
- **Izberite ustrezno velikost proteze.** Tesno prileganje lahko povzroči nekrozo tkiva in iztiskanje.
- **Bolniku naročite, naj se nemudoma posvetuje z zdravnikom,** če bi se pojavili simptomi edema tkiva in/ali vnetja/okužbe.
- **Bolniku naročite, naj se nemudoma posvetuje z zdravnikom,** če se pojavi puščanje skozi govorno protezo ali okoli nje. Puščanje lahko povzroči aspiracijsko pljučnico.
- **Če uporabljate laringetomijske cevke oz. stoma gumb, naj bodo primerne oblike in velikosti,** da ne bodo pritiskale na protezo ali se prilepile na trahealni zavihek proteze med vstavitvijo in odstranitvijo laringektomijske cevke ali stoma gumba. To lahko povzroči hude poškodbe tkiva in/ali nenamerno zaužitje.
- **Bolniku naročite, naj uporablja samo originalne pripomočke Provox** ustreznih velikosti (ščetko, pripomoček za izpiranje, čep) za vzdrževanje in preprečevanje vsakršne manipulacije.
- **Ponovna uporaba ali predelava** lahko povzročita navzkrižno kontaminacijo in poškodbo pripomočka, kar lahko škoduje bolniku.

1.5 PREVIDNOSTNI UKREPI.

- Pred namestitvijo ali zamenjavo proteze skrbno preglejte vsakega bolnika z motnjami strjevanja krvi ali bolnika, ki prejema antikoagulacijsko zdravljenje, zaradi nevarnosti krvavitve.
- Embalažo pred uporabo preverite. Če je embalaža poškodovana ali odprta, je ne uporabljajte.
- Med rokovanjem s protezo vselej uporabite aseptično metodo, da zmanjšate tveganje za okužbo.

2. Navodila za uporabo

2.1 Izbira velikosti govorne proteze

Izbira ustreznega premera in dolžine nadomestne proteze

Pri uporabi bodite pozorni, da uporabljate govorno protezo Provox Vega z ustreznim premerom in dolžino. Govorna proteza Provox Vega je na voljo z različnimi premeri in v več dolžinah.

- **Izbira premera govorne proteze**

Ustrezen premer govorne proteze za bolnika določi zdravnik.

Če je izbrani premer večji od prejšnje proteze, je treba trakt s pomočjo izdelka Provox Dilator razširiti, tako da ustreza premeru vstavljenih proteze.

Če je vstavljena proteza z manjšim premerom, opazujte in zagotovite, da se punkcija zmanjša na ustrezen premer.

- **Izbira dolžine govorne proteze**

Da bi zagotovili pravilno dolžino, lahko za vzorec uporabite trenutno protezo.

Če je med trahealnim zavihkom stare proteze in sluznično membrano preveč prostora (npr. 3 mm/pribl. 0,12 palca ali več), je treba uporabiti krajšo protezo. Če je proteza nameščena pretesno, je treba uporabiti daljšo protezo.

2.2 Priprava

(sl. 3–6)

Namestitev govorne proteze

1. Zagotovite, da je govorna proteza pravilno nameščena na zatiču za vstavljanje, trdno pritrjena in da je konica zatiča do konca vstavljena v modri obroč govorne proteze (sl. 3).

Prepognitev ezofagealnega zavihka

2. Preverite, ali je zatič za vstavljanje pravilno nameščen na pripomoček za pregibanje (zatič se mora zaskočiti v pripomoček za pregibanje).
3. Pripomoček za pregibanje stisnite z dvema prstoma (sl. 4).
4. Pritrdite cev za vstavljanje, pripomoček za pregibanje pa naj ostane zaprt, in obračajte cev za vstavljanje, dokler se ne zaskoči (sl. 5).
(se ne uporablja za vstavljanje s pomočjo kapsule)

Vstavljanje

5. Zatič za vstavljanje potiskajte naprej, dokler govorna proteza ni poravnana z vidnim obročem na cevi za vstavljanje (sl. 6). (se ne uporablja za vstavljanje s pomočjo kapsule)

Odstranitev stare govorne proteze

6. Odstranite trenutno (staro) protezo iz traheozofagealne punkcije, tako da jo izvlečete s hemostatom brez zobcev. Zdravnik lahko po lastni presoji trahealni zavihek zgrabi s kleščami in odščipne. Preostanek proteze nato potisnete v požiralnik, da se izloči skozi prebavni trakt. Pred uporabo te metode je treba upoštevati bolnikovo zdravstveno anamnezo bolezni prebavil.

Priprava punkcije (izbirno)

7. Punkcijo je mogoče za pripravo na vstavitev govorne proteze razširiti. Navadno to ni potrebno, vendar lahko pri bolnikih s poševnimi ali ozkimi punkcijami, ki se lahko zlahka sesedejo, olajša vstavljanje.

2.3 Vstavljanje, anterogradna metoda zamenjave

Za vstavljanje govorne proteze Provox Vega s pomočjo sistema za vstavljanje Provox Insertion System je mogoče uporabiti štiri metode. O izbiri metode presodi klinični zdravnik.

- 2.3.1 Vstavljanje s pomočjo sistema: uporabi se celoten sistem za vstavljanje.
- 2.3.2 Vstavljanje s pomočjo cevke: pred vstavljanjem se pripomoček za pregibanje odstrani.
- 2.3.3 Vstavljanje s prekomerno začetno vstavitvijo: v požiralnik vstavimo celotno protezo, nato pa jo povlečemo nazaj v ustrezen položaj.
- 2.3.4 Vstavljanje s pomočjo kapsule: pred vstavljanjem se govorna proteza namesti v kapsulo Provox Capsule.

2.3.1 Metoda 1: Vstavljanje s pomočjo sistema

1. Vstop v traheozofagealno punkcijo

Sistem za vstavljanje Provox Insertion System pridržite ob cevi za vstavljanje. Konec cevi za vstavljanje potisnite v punkcijo. Če začutite upor, nadaljujte previdno. Če se pojavi upor, lahko vstavljanje olajšata dilatacija in/ali mazanje.

2. Vstavev govorne proteze

Cev za vstavljanje stabilno držite z eno roko, z drugo roko pa potisnite zatič za vstavljanje, dokler puščice na distalni površini oprijema niso poravnane s spodnjim robom pripomočka za pregibanje (sl. 7). Na tej točki je ezofagealni zavihek govorne proteze popolnoma razprt v požiralniku.

3. Sprostitev govorne proteze

Cev za vstavljanje in pripomoček za pregibanje skupaj izvlcite iz punkcije. Govorna proteza ostane v punkciji, pri čemer je še vedno trdno nameščena na zatiču za vstavljanje.

4. Zaključitev postopka

Po vstavitvi postopek zaključite tako, kot je opisano v poglavju 2.5.

2.3.2 Metoda 2: Vstavljanje s pomočjo cevi

Da izboljšate vidnost, lahko pripomoček za pregibanje odstranite, ko ste protezo potisnili v cev za vstavljanje.

Opomba: Za zagotovitev pravilnega zgibanja ezofagealnega zavihka je pomembno, da pri nameščanju proteze vedno uporabljate sistem za vstavljanje Provox Insertion System s pritrjenim pripomočkom za pregibanje.

1. Odstranitev pripomočka za pregibanje

Odstranite pripomoček za pregibanje, tako da ga sprostite in odstranite iz cevi za vstavljanje (sl. 8).

2. Vstop v traheozofagealno punkcijo

Sistem za vstavljanje Provox Insertion System pridržite ob cevi za vstavljanje. Konec cevi za vstavljanje potisnite v punkcijo. Če začutite upor, nadaljujte previdno. Če se pojavi upor, lahko vstavljanje olajšata dilatacija in/ali mazanje.

3. Vstavev govorne proteze

Z drugo roko potiskajte zatič za vstavljanje, dokler puščice na proksimalni površini za oprijem niso poravnane s cevjo za vstavljanje (sl. 9). Na tej točki je ezofagealni zavihek govorne proteze popolnoma razprt v požiralniku.

4. Sprostitev govorne proteze

Z eno roko držite cev za vstavljanje in z drugo roko zatič za vstavljanje. Cev za vstavljanje in zatič za vstavljanje povlecite nazaj, dokler ne začutite, da je ezofagealni zavihek dosegel prednjo ezofagealno steno. Nato izpusite zatič za vstavljanje in povlecite cev za vstavljanje naravnost iz punkcije. Tako boste sprostili trahealni zavihek.

Opomba: Če se trahealni zavihek razpre v požiralniku ali punkciji (nenamerna prekomerna začetna vstavev), s hemostatom brez zobcev primite trahealni zavihek in povlecite/zasučite govorno protezo na njeno mesto.

5. Zaključitev postopka

Po vstavitvi postopek zaključite tako, kot je opisano v poglavju 2.5.

2.3.3 Metoda 3: Vstavljanje s prekomerno začetno vstavitvijo

Občasno se izvaja vstavljanje govorne proteze Provox Vega s prekomerno začetno vstavitvijo, s čimer se zagotovi, da se ezofagealni zavihek popolnoma razpre v težjih traheozofagealnih punkcijah.

1. Odstranitev pripomočka za pregibanje (izbirno)

Ko je proteza potisnjena v cev za vstavljanje, odstranite pripomoček za pregibanje, tako da ga sprostite in odstranite iz cevi za vstavljanje (sl. 8).

2. Vstop v traheozofagealno punkcijo

Sistem za vstavljanje Provox Insertion System pridržite ob cevi za vstavljanje. Konec cevi za vstavljanje potisnite v punkcijo. Če začutite upor, nadaljujte previdno. Če se pojavi upor, lahko vstavljanje olajšata dilatacija in/ali mazanje.

3. Vstavev govorne proteze

Cev za vstavljanje stabilno držite z eno roko, z drugo roko pa potisnite zatič za vstavljanje mimo proksimalnega mesta oprijema (sl. 10). Na tej točki je govorna proteza v celoti nameščena v požiralnik (sl. 11).

Če postopek vstavljanja s prekomerno začetno vstavitvijo izvajate z nameščenim pripomočkom za pregibanje, zatič za vstavljanje potisnite mimo distalne površine oprijema. Na tej točki je govorna proteza v celoti nameščena v požiralnik (sl. 12).

4. Sprostitev govorne proteze

Cev za vstavljanje naravnost izvlcite iz punkcije. Proteza ostane v požiralniku, še vedno trdo nameščena na zatiču za vstavljanje. Zgrabite trahealni zavihek s hemostatom brez zobcev in govorno protezo povlecite/zasučite na njeno mesto.

5. Zaključitev postopka

Po vstavitvi postopek zaključite tako, kot je opisano v poglavju 2.5.

2.3.4 Metoda 4: Vstavljanje s pomočjo kapsule

Predvidena uporaba

Kapsula Provox Capsule je pripomoček za enkratno uporabo za vstavljanje standardne govorne proteze po anterogradni metodi, ki jo izvede zdravnik, v traheoezofagealno punkcijo pri bolniku, pri katerem je bila opravljena laringektomija.

Opis pripomočka

Kapsule Provox Capsule so izdelane iz v vodi topnega materiala rastlinskega izvora, na voljo pa so velikosti, ki ustrezajo trem različnim premerom govornih protez, tj. 17, 20 in 22,5 Fr.

OPOZORILA

- Pred vstavljanjem se vselej prepričajte, da je govorna proteza ustrezno upognjena in da je pravilno vstavljena v kapsulo Provox Capsule. Če kapsula Provox Capsule prehitro odstopi, lahko pride do aspiracije. Upoštevajte, da lahko maziva negativno vplivajo na pričvrstitev kapsule.
- V primeru suma na kontaminacijo ne uporabljajte kapsule Provox Capsule.
- Ne uporabljajte kapsul Provox Capsule v primeru poškodovane ovojnine ali kapsul.
- Po vstavitvi v TE-puncijo se prepričajte, da govorna proteza pravilno deluje. Vselej upoštevajte preventivne varnostne ukrepe, navedene v navodilih za uporabo govorne proteze po vstavljanju.

PREVIDNOSTNI UKREPI

- Pri vstavljanju ezofagealne prirobnice v kapsulo Provox Capsule ne uporabljajte ostrih predmetov, kajti s tem lahko poškodujete govorno protezo.
- Uporabljajte samo kapsulo Provox Capsule, ki je enake velikosti ali eno velikost večja od premera govorne proteze.

Pripomoček za pregibanje sistema za vstavljanje Provox Insertion System lahko uporabite za pregibanje ezofagealnega zavihka standardne govorne proteze Provox Vega v kapsulo Provox Capsule*. Pri tem postopku se cev za vstavljanje ne uporablja.

1. Vstavljanje proteze v kapsulo Provox Capsule

Daljši del kapsule Provox Capsule zavržite, krajši del pa uporabite za vstavljanje. Z dvema prstoma stisnite pripomoček za pregibanje in namestite kapsulo v odprto pripomočka za pregibanje (sl. 13). Pripomoček za pregibanje držite stisnjen in ob tem s kazalcem pritisnite kapsulo navzdol (sl. 14). Da bo pripomoček za pregibanje ostal skupaj, lahko uporabite tudi sistem Provox TwistLock. Zatič za vstavljanje močno potisnite naprej; tako boste ezofagealni zavihek govorne proteze vstavili v kapsulo.

2. Preverjanje pravilnega vstavljanja

Govorna proteza je zdaj vstavljena v kapsulo Provox Capsule in pripomoček za pregibanje je mogoče odstraniti iz zatiča za vstavljanje. Prepričajte se, da je ezofagealni zavihek znotraj kapsule (sl. 15). Če govorna proteza ni pravilno prepognjena, morate postopek vstavljanja ponoviti z novo kapsulo Provox Capsule. Prepričajte se, da je trak govorne proteze pritrjen na iglo pripomočka za vstavljanje, predvidenega za vstavljanje proteze v punkcijo.

3. Odstranite staro govorno protezo in pripravite TE-puncijo (oglejte si 6. in 7. točko v poglavju 2.2).

4. Kapsulo Provox Capsule vstavite v punkcijo.

Govorno protezo zadržite v popolnoma vstavljenem položaju, dokler se kapsula Provox Capsule ne raztopi in ezofagealna prirobnica popolnoma sprostí. Rahlo povlecite za trak govorne proteze in se prepričajte, da je v ustreznem položaju.

5. Spustite govorno protezo

Pripomoček za vstavljanje govorne proteze odstranite iz govorne proteze. Govorna proteza mora ostati v punkciji.

6. Zaključitev postopka

Po vstavitvi postopek zaključite tako, kot je opisano v poglavju 2.5.

* Ni na voljo v vseh državah.

2.4 Sestavljanje in ponovna vstavitvev sistema za vstavljanje Provox Insertion System

Če je bil prvi poskus vstavljanja proteze Provox Vega v traheoezofagealno punkcijo neuspešen, lahko govorno protezo znova namestite na sistem Provox Insertion System.

Namestitev govorne proteze

1. Govorno protezo namestite na konico zatiča za vstavljanje, tako da bo trahealna stran obrnjena navzdol.
2. Namestite varnostni trak, tako da ga speljete skozi pritrditveno režo na obeh straneh.
3. Zagotovite, da je govorna proteza pravilno nameščena na zatiču za vstavljanje, trdno pritrjena in da je konica zatiča do konca vstavljena v modri obroč govorne proteze (sl. 3).

Pritrditev pripomočka za pregibanje

4. Zatič za vstavljanje speljite skozi odprto in pripomočku za pregibanje, dokler se slišno ne zaskoči. Zatič povlecite, dokler se v pripomočku za pregibanje ne zaskoči (sl. 16). Sistem Provox Insertion System je zdaj primeren za pripravo. Nadaljujte s pripravo, kot je opisano v poglavju 2.2.

POZOR: Proteze ne poskušajte vstaviti več kot dvakrat. Če se na protezi Provox Vega kažejo kakršni koli znaki poškodb, je ne uporabite.

2.5 Zaključitev postopka

Po vstavitvi:

Zagotovitev ustreznega prileganja

1. Zagotovite ustrezen položaj govorne proteze, tako da jo obračate in nežno vlečete zatič za vstavljanje (sl. 17). Proteza je v idealnem položaju, ko je varnostni trak obrnjen navzdol.

Preizkus ustreznega delovanja

2. Protezo Provox Vega ščetkajte s ščetko Provox. Preizkusite delovanje proteze, tako da bolnika prosite, naj govori, in se prepričajte, da proteza pri pitju vode ne pušča (sl. 18).

Prerez varnostnega traku

3. Ko ste zagotovili ustrezen položaj govorne proteze, preščipnite varnostni trak, da bo njegov konec poravnal s trahealnim zavihkom (sl. 19). Govorna proteza Provox Vega je zdaj pripravljena na uporabo.

2.6 Odstranjevanje med odpadke

Pri odstranjevanju rabljenega medicinskega pripomočka vedno upoštevajte medicinsko prakso in nacionalne predpise glede biološko nevarnega odpadka.

3. Pomembne informacije za bolnika

3.1 Splošne informacije

Zagotovite, da bo bolnik vedel, da mora zdravnika obvestiti v primeru:

- puščanja skozi protezo ali okoli nje (kašljanje in/ali sprememba barve sluzi);
- oteženega govora (večji napor in/ali prisiljen zven glasu);
- znakov vnetja ali spremembe tkiva na mestu punkcije ali območju stome (bolečina, pordelost, vročina, oteklina, sledi krvi na ščetki po ščetkanju).

Bolnika tudi obvestite, da:

- se lahko po zamenjavi proteze v izpljunkih pojavijo sledovi krvi. To se lahko pojavi zaradi granulacijskega tkiva ob robovih traheozofagealne punkcije;
- lahko čep Provox Vega Plug začasno ustavi puščanje skozi govorno protezo;
- so priporočljive govorne vaje z usposobljenim zdravnikom, da dosežemo optimalno kakovost glasu, tekoč govor in optimalno razumljivost.

3.2 Vzdrževanje proteze

Bolnika poučite o tem, kdaj in kako naj čisti svojo govorno protezo Provox Vega. Čiščenje proteze vsaj dvakrat na dan lahko omogoči daljšo življenjsko dobo pripomočka.

POZOR: za čiščenje proteze uporabljajte samo originalne pripomočke Provox Vega.

- S ščetkanjem proteze dvakrat na dan s ščetko Provox boste odstranili ostanke sluzi in hrane s proteze.
- Izpiranje proteze s pripomočkom za izpiranje Provox Flush prav tako pomaga odstraniti delce in sluz s proteze ter podaljša življenjsko dobo pripomočka.
Opomba: pripomoček za izpiranje Provox Flush je namenjen bolnikom, ki so po oceni zdravnika, ki je predpisal pripomoček, pokazali, da razumejo navodila za uporabo in jih lahko dosledno upoštevajo brez nadzora zdravnika.
- Določena živila, npr. dnevno uživanje jogurta ali pinjenca, ki vsebuje laktobacile, naj bi preprečevala povečan razvoj kandidate.

Za podrobnejše informacije o čiščenju proteze Provox Vega si lahko ogledate navodila za uporabo posameznega pripomočka.

4. Dodatne informacije

4.1 Združljivost z magnetno resonanco, rentgenom in obsevanjem

Na podlagi preizkusov je bilo ugotovljeno, da so govorne proteze Provox Vega združljive z magnetno resonanco (preizkušeno do 3 T), rentgenom in obsevanjem (preizkušeno do 70 Gy). Med pregledom/terapijo lahko proteza ostane v traheozofagealni punkciji. Pomnite, da je radioneprepusten sedež ventila viden na rentgenski sliki.

4.2 Življenjska doba pripomočka

Življenjska doba pripomočka je različna ter odvisna od posameznikovih bioloških lastnosti, celovitosti pripomočka pa ni mogoče predvidevati za daljše časovno obdobje. Na material pripomočka lahko vplivajo npr. bakterije ali kvasovke, strukturna celovitost pripomočka pa se bo sčasoma zmanjšala.

Laboratorijsko testiranje simulirane uporabe v obdobju testiranja 12 mesecev kaže, da bo ob odsotnosti bakterij in glivic pripomoček v tem časovnem obdobju obdržal svojo strukturno celovitost. Pripomoček ni bil testiran za uporabo, daljšo od 12 mesecev. O uporabi, ki presega to časovno omejitev, samostojno presodi oseba, ki je pripomoček predpisala.

4.3 Združljivost z zdravljenjem z antimikotiki

Laboratorijski preizkusi kažejo samo manjše negativne vplive na delovanje govorne proteze Provox Vega in njenih komponent pri uporabi naslednjih antimikotikov: nistatin, flukonazol in mikonazol.

5. Poročanje

Prosimo, upoštevajte, da je treba o vsaki resni nezgodi, do katere je prišlo zaradi pripomočka, poročati proizvajalcu in pristojnemu organu v državi, kjer prebiva uporabnik in/ali bolnik.

Provox® Vega™

1. Informacje opisowe

1.1 Przeznaczenie

Proteza głosowa Provox Vega jest jałową, wszczepialną protezą głosową jednorazowego użytku, przeznaczoną do rehabilitacji głosu po chirurgicznym usunięciu krtani (całkowitej laryngektomii). Czyszczenie protezy głosowej znajdującej się w przetocze tchawiczno-przełykowej przeprowadza pacjent.

Podajnik Provox Insertion System jest jałowym wyrobem jednorazowego użytku, przeznaczonym do wymiany protezy głosowej Provox Vega z dostępu przez tracheostomę. Zabieg wymiany przeprowadza lekarz lub przeszkolony pracownik służby zdrowia według obowiązujących wytycznych lokalnych lub krajowych.

Podajnik Provox Insertion System nie jest przeznaczony do zakładania protezy głosowej w świeżo wytworzonej przetocze.

1.2 Opis urządzenia

Informacje ogólne

Provox Vega jest jednokierunkową zastawką (protezą głosową) umieszczaną w przetocze tchawiczno-przełykowej, umożliwiającą wytwarzanie głosu przez kierowanie powietrza do przełyku i jednocześnie zmniejszającą ryzyko dostania się jedzenia i napojów do tchawicy. Proteza głosowa Provox Vega nie jest stałym implantem i wymaga okresowej wymiany. Proteza (rys. 1) jest dostępna w różnych średnicach i kilku długościach. Wyrób jest wykonany z silikonu i polimeru fluorowego klasy medycznej.

Opakowanie Provox Vega

Opakowanie Provox Vega zawiera następujące elementy:

- 1 protezę głosową Provox Vega, fabrycznie umieszczoną w podajniku Insertion System, jednorazowego użytku, jałową (rys. 2)
- 1 szczoteczkę Provox Brush w rozmiarze odpowiednim dla danej protezy głosowej, niejadalą
- 1 instrukcję dla lekarzy Provox Vega
- 1 podręcznik dla pacjenta Provox Vega
- 1 instrukcję użytkowania szczoteczki Provox Brush

1.3 PRZECIWSKAZANIA

Nieznane są przeciwwskazania do użycia lub wymiany protezy głosowej Provox Vega u pacjentów już używających protezy do rehabilitacji głosu.

1.4 OSTRZEŻENIA

- **Może dojść do przemieszczenia lub wypchnięcia protezy głosowej Provox Vega z przetoki tchawiczno-przełykowej, prowadzącego do połknięcia, aspiracji lub uszkodzenia tkanek.** Ciało obce w drogach oddechowych może spowodować poważne powikłania, takie jak ostra niewydolność oddechowa i/lub zatrzymanie oddychania.
- **Należy dobrać odpowiedni rozmiar protezy.** Ciasne dopasowanie może spowodować martwicę tkanek i wypchnięcie protezy.
- **Należy poinstruować pacjenta, żeby się natychmiast udał się do lekarza,** jeśli pojawią się jakiegokolwiek oznaki obrzęku tkanek i/lub stanu zapalnego/zakażenia.
- **Należy poinstruować pacjenta, żeby natychmiast udał się do lekarza,** jeśli wystąpi przeciek przez protezę głosową lub wokół niej. Przeciek może doprowadzić do zachyłstowego zapalenia płuc.
- **W przypadku stosowania rurek tracheostomijnych lub krótkich rurek tracheostomijnych** należy wybrać ich odpowiedni kształt, który nie będzie powodować ucisku na protezę ani zaczepiać o kołnierz tchawiczy protezy podczas wkładania i wyjmowania rurki tracheostomijnej lub krótkiej rurki tracheostomijnej. Może to doprowadzić do ciężkiego uszkodzenia tkanek i/lub przypadkowego połknięcia protezy.
- **Należy poinstruować pacjenta, aby używał tylko oryginalnych akcesoriów Provox** (szczoteczki, gruszki, zatyczki) w odpowiednim rozmiarze oraz unikał wszelkich innych rodzajów manipulacji.
- **Ponowne użycie i przygotowanie do ponownego użycia** może spowodować przeniesienie zanieczyszczeń i uszkodzenie urządzenia, co może doprowadzić do urazu u pacjenta.

1.5 ŚRODKI OSTROŻNOŚCI

- Przed włożeniem lub wymianą protezy należy dokonać starannej oceny pacjentów ze skazą krwotoczną lub leczonych antykoagulantami pod kątem ryzyka krwawienia bądź krwotoku.
- Obejrzeć opakowanie przed użyciem. Nie używać produktu, jeśli opakowanie jest uszkodzone lub otwarte.
- Aby ograniczyć ryzyko zakażenia, należy zawsze przestrzegać zasad jałowości przy kontakcie z protezą.

2. Instrukcja użycia

2.1 Dobór rozmiaru protezy głosowej

Dobór odpowiedniej średnicy korpusu i długości protezy przeznaczonej do wymiany. Należy użyć protezy głosowej Provox Vega o właściwej średnicy i długości korpusu. Proteza Provox Vega jest dostępna w różnych średnicach korpusu i w kilku długościach.

• Dobór średnicy korpusu

Lekarz powinien ustalić właściwą średnicę protezy odpowiednią dla danego pacjenta.

Jeśli wybrana średnica jest większa niż średnica poprzedniej protezy, należy rozszerzyć przetokę za pomocą rozszerzacza Provox Dilator o średnicy odpowiedniej do wkładanej protezy.

Jeśli zakładana jest proteza o mniejszej średnicy korpusu, należy dopilnować, aby przetoka uległa obkurczeniu do właściwej średnicy.

• Dobór długości korpusu

W celu dobrania odpowiedniej długości można użyć obecnie założonej protezy jako narzędzia pomiaru.

Jeśli odstęp pomiędzy kołnierzem tchawiczym obecnej protezy a ścianą śluzówki jest zbyt duży (np. 3 mm/~0,12 cala lub więcej), należy użyć krótszej protezy. Jeśli proteza jest osadzona zbyt ciasno, należy użyć dłuższej protezy.

2.2 Przygotowanie

(Rys. 3–6)

Umieszczenie protezy głosowej

1. Upewnić się, że proteza głosowa jest właściwie umieszczona i dobrze zamocowana na popychaczu, a końcówka popychacza znajduje się na wysokości niebieskiego pierścienia protezy głosowej (rys. 3).

Zwinięcie kołnierza przelykowego

2. Sprawdzić, czy popychacz jest właściwie umieszczony w uchwycie zwijającym kołnierze protezy w koszulce (popychacz powinien być zatrzaśnięty w uchwycie).
3. Ścisnąć dwoma palcami uchwyt zwijający kołnierze protezy w koszulce (rys. 4).
4. Przymocować koszulkę, trzymając zamknięty uchwyt zwijający kołnierze protezy i obracając koszulkę, aż zostanie zablokowana w odpowiednim położeniu (rys. 5). (Nie dotyczy wkładania z zastosowaniem kapsułki).

Załadowanie protezy

5. Przesuwać popychacz, aż proteza głosowa znajdzie się na wysokości wyraźnego znacznika na koszulce (rys. 6). (Nie dotyczy wkładania z zastosowaniem kapsułki).

Wyjęcie poprzedniej protezy głosowej

6. Wyjąć obecną (poprzednią) protezę z przetoki tchawiczo-przelykowej, wyciągając ją gładkimi (nieząbkowanymi) kleszczykami hemostatycznymi. Lekarz może również podjąć decyzję o chwyceniu kołnierza tchawiczego protezy kleszczykami i odcięciu go. Reszta protezy zostanie wtedy wepchnięta do przelyku, po czym przejdzie przez układ pokarmowy. Przed zastosowaniem tej metody należy wziąć pod uwagę wszystkie schorzenia układu pokarmowego, na które pacjent cierpiał w przeszłości.

Przygotowanie przetoki (opcjonalne)

7. Można rozszerzyć przetokę, aby ją przygotować do założenia protezy głosowej. Zwykle nie jest to konieczne, lecz może ułatwić założenie protezy u pacjentów z ciasnymi przetokami lub umieszczonymi pod kątem, przez co przetoka może się zapaść.

2.3 Procedura włożenia i wymiany protezy przez tracheostomę

Dostępne są cztery metody wkładania protezy głosowej Provox Vega przy użyciu podajnika Provox Insertion System. O wyborze metody decyduje lekarz.

2.3.1 Włożenie z zastosowaniem podajnika: używany jest cały zestaw podajnika.

2.3.2 Włożenie z zastosowaniem koszulki: przed włożeniem usuwany jest uchwyt zwijający kołnierze protezy w koszulce.

2.3.3 Włożenie z przepchnięciem przez przetokę: cała proteza głosowa jest rozkładana w przelyku, a następnie wycofywana do żądanej pozycji.

2.3.4 Włożenie z zastosowaniem kapsułki: przed włożeniem proteza głosowa jest umieszczana w kapsułce Provox Capsule.

2.3.1 Metoda 1: Włożenie z zastosowaniem podajnika

1. Wprowadzenie do przetoki tchawiczo-przelykowej

Uchwycić podajnik Provox Insertion System za koszulkę. Wprowadzić końcówkę koszulki do przetoki. Zachować ostrożność w przypadku napotkania oporu. Jeżeli jest wyczuwany opór, wprowadzenie koszulki może ułatwić rozszerzenie przetoki i/lub użycie środka poślizgowego.

2. Włożenie protezy głosowej

Trzymając nieruchomo koszulkę jedną ręką, drugą ręką przesunąć popychacz, aż strzałki w dystalnym obszarze chwytym zostaną wyrównane z dolną krawędzią uchwytu zwijającego kołnierze protezy w koszulce (rys. 7). W tym momencie kołnierze przelykowe protezy głosowej jest całkowicie rozłożony w przelyku.

3. Odłączenie protezy głosowej

Wyciągnąć razem koszulkę i uchwyt zwijający kołnierze protezy pod kątem prostym. Proteza głosowa pozostaje w przetoce, nadal mocno przytwierdzona do popychacza.

4. Zakończenie procedury

Po włożeniu protezy zakończyć procedurę zgodnie z poniższym opisem w punkcie 2.5.

2.3.2 Metoda 2: Włożenie z zastosowaniem koszulki

Aby poprawić widoczność, po wepchnięciu protezy do koszulki można usunąć uchwyt zwijający kołnierze protezy.

Uwaga: Aby zapewnić prawidłowe zwinięcie kołnierza przelykowego, podczas ładowania protezy należy zawsze używać podajnika Provox Insertion System z przymocowanym uchwytem zwijającym kołnierze protezy.

1. Usunięcie uchwytu zwijającego kołnierze protezy

Usunąć uchwyt zwijający kołnierze protezy, odblokowując go i odłączając od koszulki (rys. 8).

2. Wprowadzenie do przetoki tchawiczko-przelykowej

Uchwycić podajnik Provox Insertion System za koszulkę. Wprowadzić końcówkę koszulki do przetoki. Zachować ostrożność w przypadku napotkania oporu. Jeżeli jest wyczuwany opór, wprowadzenie koszulki może ułatwić rozszerzenie przetoki i/lub użycie środka poślizgowego.

3. Włożenie protezy głosowej

Przesunąć popychacz drugą ręką, aż strzałki w proksymalnym obszarze chwytym zostaną wyrównane z koszulką (rys. 9). W tym momencie kołnierze przelykowe protezy głosowej jest całkowicie rozłożony w przelyku.

4. Odłączenie protezy głosowej

Uchwycić jedną ręką koszulkę, a drugą — popychacz. Wyciągać razem koszulkę i popychacz do momentu wyczucia, że kołnierze przelykowe dotknął przedniej ściany przelyku. Następnie pozostawić popychacz i wyciągnąć koszulkę z przetoki pod kątem prostym. Spowoduje to rozłożenie kołnierza tchawiczego.

Uwaga: Jeśli kołnierze tchawiczy zostanie rozłożony wewnątrz przelyku lub przetoki (niezamierzone przepchnięcie przez przetokę), należy chwycić kołnierze tchawiczy gładkimi (nieząbkowanymi) kleszczykami hemostatycznymi i pociągnąć/obrócić protezę głosową w celu umieszczenia jej we właściwym położeniu.

5. Zakończenie procedury

Po włożeniu protezy zakończyć procedurę zgodnie z poniższym opisem w punkcie 2.5.

2.3.3 Metoda 3: Włożenie z przepchnięciem przez przetokę

W celu zapewnienia pełnego rozłożenia kołnierza przelykowego w przypadku skomplikowanych przetok tchawiczko-przelykowych niekiedy wykonywane jest przepchnięcie protezy głosowej Provox Vega przez przetokę.

1. Usunięcie uchwytu zwijającego kołnierze protezy w koszulce (opcjonalne)

Po umieszczeniu protezy w koszulce usunąć uchwyt zwijający kołnierze protezy w koszulce, odblokowując go i odłączając od koszulki (rys. 8).

2. Wprowadzenie do przetoki tchawiczko-przelykowej

Uchwycić podajnik Provox Insertion System za koszulkę. Wprowadzić końcówkę koszulki do przetoki. Zachować ostrożność w przypadku napotkania oporu. Jeżeli jest wyczuwany opór, wprowadzenie koszulki może ułatwić rozszerzenie przetoki i/lub użycie środka poślizgowego.

3. Włożenie protezy głosowej

Trzymając nieruchomo koszulkę jedną ręką, drugą ręką przesunąć popychacz poza proksymalny obszar chwytym (rys. 10). W tym momencie proteza głosowa jest całkowicie rozłożona w przelyku (rys. 11).

Jeżeli proteza jest wkładana z przepchnięciem przez przetokę z przymocowanym uchwytem zwijającym kołnierze protezy w koszulce, należy przesunąć popychacz poza dystalny obszar chwytym. W tym momencie proteza głosowa jest całkowicie rozłożona w przelyku (rys. 12).

4. Odłączenie protezy głosowej

Wyciągnąć koszulkę z przetoki pod kątem prostym. Proteza pozostaje w przelyku, nadal mocno przytwierdzona do popychacza. Chwycić kołnierze tchawiczy gładkimi (nieząbkowanymi) kleszczykami i pociągnąć/obrócić protezę głosową, umieszczając ją we właściwym położeniu.

5. Zakończenie procedury

Po włożeniu protezy zakończyć procedurę zgodnie z poniższym opisem w punkcie 2.5.

2.3.4 Metoda 4: Wprowadzanie kapsułki

Przeznaczenie

Kapsułka Provox Capsule stanowi akcesorium do jednorazowego użytku przez lekarza przeznaczone do wprowadzenia standardowej protezy głosowej przez stomę do przetoki tchawiczko-przelykowej u pacjenta po laryngektomii.

Opis produktu

Kapsułki Provox Capsule są wykonane z rozpuszczalnego w wodzie materiału pochodzenia roślinnego i dostępne w różnych rozmiarach, które można dopasować do trzech różnych średnic protez głosowych — 17 F, 20 F oraz 22,5 F.

OSTRZEŻENIA

- Przed rozpoczęciem zabiegu wprowadzania zawsze należy upewnić się, że proteza głosowa jest poprawnie zwinięta i prawidłowo wprowadzona do kapsułki Provox Capsule. Jeśli kapsułka Provox Capsule rozwinie się przedwcześnie, może zostać zassana do dolnych dróg oddechowych. Należy zwrócić uwagę na to, że środki poślizgowe mogą utrudnić zamocowanie kapsułki Capsule.
- Nie używać kapsułki Provox Capsule, jeśli istnieje podejrzenie, że doszło do jej zanieczyszczenia.

- Nie używać kapsułek Provox Capsule, jeśli opakowanie lub kapsułki wyglądają na uszkodzone.
- Po wprowadzeniu do przetoki tchawiczo-przełykowej należy się upewnić, że proteza głosowa prawidłowo spełnia swoją funkcję. Po wprowadzeniu zawsze należy przestrzegać środków ostrożności podanych w instrukcja użycia, które dotyczą korzystania z protezy głosowej.

ŚRODKI OSTROŻNOŚCI

- W celu wprowadzenia kołnierza przełykowego do kapsułki Provox Capsule nie należy używać żadnych ostrych narzędzi, ponieważ może to spowodować uszkodzenie protezy głosowej.
- Należy używać tylko kapsułki Provox Capsule w takim samym rozmiarze, jak średnica protezy głosowej, albo o jeden rozmiar większej.

Uchwyt zwijający kołnierze protezy podajnika Provox Insertion System może zostać wykorzystany do zwinięcia kołnierza przełykowego standardowej protezy głosowej Provox Vega do kapsułki Provox Capsule*. W tej procedurze koszulka nie jest używana.

1. Umieszczenie protezy w kapsułce Provox Capsule

Wyrzucić długą część kapsułki Provox Capsule i podczas zabiegu wprowadzenia użyć tylko krótkiej części. Ścisnąć dwoma palcami uchwyt zwijający kołnierze protezy i umieścić kapsułkę w otworze uchwytu (rys. 13). Utrzymując zamknięty uchwyt zwijający kołnierze protezy, palcem wskazującym trzymać kapsułkę skierowaną w dół (rys. 14). Do utrzymania zamkniętego uchwytu zwijającego kołnierze protezy można również użyć blokady Provox TwistLock. Nacisnąć mocno popychacz. Spowoduje to załadowanie kołnierza przełykowego protezy głosowej do kapsułki.

2. Sprawdzenie właściwego załadowania

Proteza głosowa jest teraz załadowana do kapsułki Provox Capsule, a uchwyt zwijający kołnierze protezy można usunąć z popychacza. Sprawdzić, czy kołnierze przełykowe znajduje się wewnątrz kapsułki (rys. 15). Jeżeli proteza głosowa nie jest właściwie zwinięta, należy powtórzyć proces załadowania, używając nowej kapsułki Provox Capsule. Upewnić się, że pasek protezy głosowej jest zamocowany do bolca podajnika przeznaczonego do wprowadzenia protezy do punkcji.

3. Wyjąć starą protezę głosową i przygotować przetokę tchawiczo-przełykową (patrz część 2.2, punkty 6 i 7).

4. Wprowadzanie kapsułki Provox Capsule do przetoki

Trzymać protezę głosową w pozycji w pełni wprowadzonej do momentu rozpuszczenia kapsułki Provox Capsule i pełnego rozłożenia kołnierza przełykowego. Lekko pociągnąć pasek protezy głosowej, aby upewnić się, że jej położenie jest prawidłowe.

5. Zwolnienie protezy głosowej

Wyjąć bolec podajnika z protezy głosowej. Proteza głosowa pozostaje w przetoce.

6. Zakończenie procedury

Po włożeniu protezy zakończyć procedurę zgodnie z poniższym opisem w punkcie 2.5.

* Nie są dostępne we wszystkich krajach.

2.4 Montaż i ponowne załadowanie podajnika Provox Insertion System

Jeśli nie powiodła się pierwsza próba wprowadzenia protezy Provox Vega do przetoki tchawiczo-przełykowej, można ponownie załadować protezę głosową do podajnika Provox Insertion System.

Umieszczenie protezy głosowej

1. Umieścić protezę głosową na górze popychacza kołnierzem tchawiczym do dołu.
2. Przymocować pasek zabezpieczający, przeprowadzając go przez otwór mocujący z dowolnej strony.
3. Upewnić się, że proteza głosowa jest właściwie umieszczona i dobrze zamocowana na popychaczu, a końcówka popychacza znajduje się na wysokości niebieskiego pierścienia protezy głosowej (rys. 3).

Zamocowanie uchwytu zwijającego kołnierze protezy w koszulce

4. Wprowadzić popychacz przez otwór uchwytu zwijającego kołnierze protezy, aż zaskoczy z kliknięciem w odpowiednim położeniu. Pociągać popychacz, dopóki nie zatrzaśnie się w uchwycie zwijającym kołnierze protezy (rys. 16). Podajnik Provox Insertion System jest teraz gotowy do etapu przygotowania. Kontynuować etap przygotowania zgodnie z powyższym opisem w punkcie 2.2.

UWAGA: Nie wolno ponownie załadowywać protezy do podajnika więcej niż dwa razy. Jeśli proteza głosowa Provox Vega wykazuje jakiegokolwiek oznaki uszkodzenia, nie wolno jej używać.

2.5 Zakończenie procedury

Po włożeniu protezy:

Sprawdzenie właściwego dopasowania

1. Sprawdzić, czy proteza znajduje się we właściwym położeniu, obracając i delikatnie pociągając popychacz (rys. 17). Proteza znajduje się w idealnym położeniu, gdy pasek zabezpieczający jest skierowany w dół.

Sprawdzenie właściwego działania

2. Wyczyścić protezę Provox Vega szczoteczką Provox Brush. Sprawdzić właściwe działanie protezy, prosząc pacjenta o wydanie głosu i obserwując protezę, gdy pacjent pije wodę (rys. 18).

Odcięcie paska zabezpieczającego

3. Po upewnieniu się, że proteza została prawidłowo umieszczona, odciąć pasek zabezpieczający równo z kołnierzem tchawiczym (rys. 19). Proteza głosowa Provox Vega jest teraz gotowa do użytku.

2.6 Usuwanie

Przy usuwaniu używanego wyrobu medycznego należy zawsze postępować zgodnie z praktyką medyczną oraz krajowymi wymogami dotyczącymi zagrożeń biologicznych.

3. Ważne informacje dla pacjenta

3.1 Informacje ogólne

Należy upewnić się, że pacjent rozumie konieczność skontaktowania się z lekarzem w przypadku gdy:

- występuje przebieg przez protezę lub wokół protezy (kaszel i/lub zmiana koloru śluzu);
- mówienie staje się trudniejsze (konieczny większy wysiłek i/lub głos bardziej wyczerpany);
- występują jakiegokolwiek objawy stanu zapalnego lub zmiany tkanki w miejscu przetoki lub stomy (ból, zaczerwienienie, uczucie gorąca, obrzęk, ślady krwi na szczoteczce po czyszczeniu protezy).

Należy także poinformować pacjenta, że:

- Po wymianie protezy mogą pojawić się ślady krwi w płwocinie. Mogą one pochodzić z tkanki ziarninowej na obrzeżu przetoki tchawiczo-przełykowej.
- Do tymczasowego zatkania przebiegu przez protezę można użyć zatyczki Provox Vega Plug.
- W celu uzyskania optymalnego brzmienia głosu, płynnej mowy i optymalnej zrozumiałości niezbędna jest rehabilitacja logopedyczna.

3.2 Konserwacja protezy

Należy poinstruować pacjenta, jak i kiedy należy czyścić protezę głosową Provox Vega. Czyszczenie protezy co najmniej dwa razy dziennie może przedłużyć jej żywotność.

UWAGA: Do czyszczenia protezy należy stosować wyłącznie oryginalne akcesoria Provox, przeznaczone do stosowania z protezą głosową Provox Vega.

- Czyszczenie protezy dwa razy dziennie za pomocą szczoteczki Provox Brush pomoże usunąć z protezy śluz i resztki jedzenia.
- Przepłukiwanie protezy za pomocą gruszki Provox Flush także pomaga usunąć resztki i śluz z protezy, co przyczynia się do przedłużenia żywotności protezy.
Uwaga: Gruszka Provox Flush jest przeznaczona do użytku wyłącznie przez pacjentów, którzy według oceny lekarza są w stanie stosować się samodzielnie do instrukcji.
- Uważa się, że pewne zasady żywienia, takie jak codzienna porcja jogurtu lub maślanki zawierających bakterie mlekowe, zapobiegają nadmiernemu namnażaniu się grzybów z rodzaju Candida.

Szczegółowe informacje dotyczące sposobu czyszczenia produktu Provox Vega można znaleźć w instrukcjach poszczególnych akcesoriów.

4. Informacje dodatkowe

4.1 Zgodność z badaniami obrazowymi metodą RM i RTG oraz radioterapią

Protezy głosowe Provox Vega zostały przetestowane pod kątem możliwości wykonywania u pacjentów z protezami badań rezonansem magnetycznym (o indukcji do 3 T), promieniowaniem rentgenowskim oraz radioterapii (zbadano dawki do 70 Gy). Protezę można pozostawić w przetoce tchawiczo-przełykowej podczas badania lub naświetlania. Należy zauważyć, że nieprzepuszczający promieniowania rtg pierścieni utrzymujący zastawkę jest widoczny w obrazie rentgenowskim.

4.2 Okres eksploatacji

Żywotność urządzenia różni się w zależności od indywidualnych warunków biologicznych i nie da się przewidzieć, jak długo urządzenie będzie prawidłowo działało. Na materiał, z którego wykonano urządzenie, będą oddziaływać przykładowo bakterie i grzyby, co ostatecznie spowoduje pogorszenie jego właściwości.

Badania laboratoryjne symulujące użycie urządzenia przez okres 12 miesięcy wykazują, że przy braku obecności bakterii i drożdżaków urządzenie zachowa w tym czasie swoją funkcjonalność. Żywotność urządzenia ponad 12 miesięcy nie była testowana laboratoryjnie. Decyzja o korzystaniu z protezy przez czas dłuższy niż ten limit zależy wyłącznie od lekarza.

4.3 Zgodność z lekami przeciwgrzybiczymi

W badaniach laboratoryjnych wykazano jedynie niewielki negatywny wpływ na działanie protez głosowych Provox Vega i jej elementów w przypadku następujących leków przeciwgrzybiczych: nystatyna, flukonazol, mikonazol.

5. Zgłaszanie

Należy pamiętać, że każde poważne zdarzenie, do którego doszło w związku z urządzeniem, należy zgłosić producentowi i władzom w kraju zamieszkania użytkownika i/lub pacjenta.

Provox® Vega™

1. Informații descriptive

1.1 Domeniul de utilizare

Provox Vega este o proteză vocală internă sterilă de unică folosință destinată reabilitării vocale după îndepărtarea chirurgicală a laringelui (laringectomie). Curățarea protezei vocale se realizează de către pacient, fără a scoate dispozitivul.

Provox Insertion System este un dispozitiv steril de unică folosință destinat înlocuirii anterograde a protezei vocale Provox Vega. Această procedură de înlocuire este realizată de către un medic sau de un specialist medical instruit, în conformitate cu directivele locale sau naționale.

Dispozitivul Provox Insertion System nu este destinat utilizării pentru inserția protezei vocale într-o puncție realizată recent.

1.2 Descrierea dispozitivului

Informații generale

Provox Vega este o supapă unidirecțională (proteză) care menține deschisă o puncție traheoesofagiană (TE) pentru a permite vorbirea și reduce în același timp riscul de pătrundere a lichidelor și alimentelor în trahee. Proteza vocală Provox Vega nu este un implant permanent și necesită înlocuire periodică. Proteza (Fig. 1) este disponibilă în diverse diametre și mai multe lungimi. Dispozitivul este fabricat din cauciuc siliconic și fluoroplast medical.

Pachetul Provox Vega

Pachetul Provox Vega conține următoarele elemente:

- 1 proteză vocală Provox Vega, pre-asamblată într-un dispozitiv de unică folosință Provox Insertion System, în stare sterilă (Fig. 2);
- 1 Provox Brush (perie) de dimensiune corespunzătoare cu cea a protezei vocale, în stare nesterilă;
- 1 manual pentru medicul care utilizează Provox Vega;
- 1 manual pentru pacientul care utilizează Provox Vega;
- 1 document cu instrucțiuni de utilizare pentru peria Provox.

1.3 CONTRAINDICAȚII

Nu există contraindicații cunoscute privind utilizarea sau înlocuirea protezei vocale Provox Vega în rândul pacienților care utilizează deja proteză pentru reabilitare vocală.

1.4 AVERTISMENTE

- **Proteza vocală Provox Vega poate fi dislocată sau expulzată** din puncția TE, ceea ce poate duce la ingerarea protezei, aspirarea acesteia sau lezarea țesuturilor. Un corp străin aflat pe căile respiratorii poate duce la complicații grave, cum ar fi dețresa respiratorie acută și/sau stopul respirator.
- **Alegeți dimensiunea corectă de proteză.** Fixarea strânsă poate duce la necroza țesuturilor și expulzare.
- **Instruiți pacientul să se adreseze unui medic** imediat dacă apar orice semne de edem tisular și/sau inflamație/infecție.
- **Instruiți pacientul să se adreseze unui medic** dacă apar scurgeri prin proteza vocală sau în jurul acesteia. Scurgerile pot provoca pneumonie de aspirație.
- **Dacă se utilizează astfel de dispozitive, alegeți tuburi de laringectomie sau butoane de stomă** cu formă corespunzătoare, care nu exercită presiune asupra protezei și nu se agață de flanșa traheală a protezei în timpul introducerii și scoaterii tubului de laringectomie sau a butonului de stomă. Acest lucru poate duce la leziuni tisulare grave și/sau ingerarea accidentală a protezei.
- **Instruiți pacientul să utilizeze numai accesoriile Provox autentice**, de mărime corespunzătoare (perie Provox, soluție Provox Flush, instrument Provox Vega Plug) pentru întreținere și să evite orice altă manipulare.
- **Reutilizarea și reprocesarea** poate cauza contaminarea încrucișată și deteriorarea dispozitivului, ceea ce poate duce la rănirea pacientului.

1.5 PRECAUȚII.

- Înainte de plasarea sau înlocuirea protezei, evaluați cu grijă riscul de sângerare sau hemoragie în cazul oricărui pacient cu afecțiuni hemoragice sau care primește tratament cu anticoagulante.
- Inspectați ambalajul înainte de utilizare. Dacă ambalajul este deteriorat sau deschis, nu utilizați produsul.
- Pentru a reduce riscul de infecție, utilizați întotdeauna o tehnică aseptică atunci când manipulați proteza.

2. Instrucțiuni de utilizare

2.1 Alegerea dimensiunii protezei vocale

Alegerea diametrului și lungimii corecte a protezei de înlocuire

Asigurați-vă că utilizați o proteză vocală Provox Vega cu un cilindru de diametru și lungime corespunzătoare. Produsul Provox Vega este disponibil în diverse diametre și mai multe lungimi.

- **Alegerea diametrului cilindrului**

Medicul trebuie să determine diametrul de proteză potrivit pentru pacient.

Dacă diametrul selectat este mai mare decât cel al protezei anterioare, tractul trebuie dilatat cu ajutorul instrumentului Provox Dilator potrivit pentru diametrul protezei care urmează să fie introdusă.

Dacă se introduce o proteză cu diametrul cilindrului mai mic, supravegheați punctia și asigurați-vă că se micșorează până la diametrul corespunzător.

- **Alegerea lungimii cilindrului**

Pentru a selecta lungimea corectă, puteți utiliza proteza actuală pe post de dispozitiv de măsurare.

Dacă spațiul dintre flanșa traheală a protezei vechi și peretele mucoasei este prea mare (3 mm sau mai mare), trebuie utilizată o proteză mai scurtă. Dacă proteza să treacă strâns, trebuie utilizată o proteză mai lungă.

2.2 Pregătirea

(Fig. 3–6)

Poziționarea protezei vocale

1. Asigurați-vă că proteza vocală este poziționată corect și atașată fix pe tija de inserție, vârful tijei de introducere fiind introdus până la capăt în inelul albastru al protezei vocale (Fig. 3).

Plierea flanșei esofagiene

2. Asigurați-vă că tija de inserție este poziționată corect în instrumentul de pliere (tija trebuie să fie fixată prin clic în instrumentul de pliere).
3. Strângeți instrumentul de pliere cu două degete (Fig. 4).
4. Atașați tubul de încărcare, menținând instrumentul de pliere închis, și răsuciți tubul de încărcare până când se fixează la loc (Fig. 5).
(Nu se aplică în cazul inserției cu ajutorul capsulei.)

Încărcarea

5. Împingeți înainte tija de inserție până când proteza vocală se aliniaza cu inelul vizibil de pe tubul de încărcare (Fig. 6). (Nu se aplică în cazul inserției cu ajutorul capsulei.)

Scoaterea protezei vocale

6. Scoateți proteza vocală actuală (veche) din punctia TE, trăgând-o afară cu o pensă hemostatică fără striatii. O altă opțiune, la discreția medicului, este apucarea flanșei traheale a protezei cu un forceps și secționarea acesteia. Restul protezei este împins apoi în esofag pentru a trece prin tractul intestinal. Înainte de a utiliza această metodă, trebuie luate în considerare orice afecțiuni intestinale din istoricul medical al pacientului.

Pregătirea punctiei (opțională)

7. Punctia poate fi dilatată pentru a o pregăti pentru introducerea protezei vocale. În general, această acțiune nu este necesară, dar poate facilita introducerea în cazul pacienților cu punctii unghiulare sau punctii strâmte care cedează ușor.

2.3 Inserția, procedura de înlocuire anterogradă

Există patru metode care pot fi utilizate pentru a introduce o proteză vocală Provox Vega cu ajutorul dispozitivului Provox Insertion System. Alegerea metodei se realizează la discreția medicului.

- 2.3.1 Inserția cu ajutorul sistemului: se utilizează întregul sistem de inserție.
- 2.3.2 Inserția cu ajutorul tubului: instrumentul de pliere este scos înainte de inserție.
- 2.3.3 Inserția prin depășire: întreaga proteză vocală este desfășurată în esofag și apoi retrasă până în poziția prevăzută.
- 2.3.4 Inserția cu ajutorul capsulei: proteza vocală este plasată într-o capsulă Provox Capsule înainte de inserție.

2.3.1 Metoda 1: Inserția cu ajutorul sistemului

1. **Inserția în punctia TE**
Țineți dispozitivul Provox Insertion System apucând tubul de încărcare. Introduceți vârful tubului de încărcare în punctie. Avansați cu grijă dacă întâmpinați rezistență. Dacă se observă rezistență, inserția poate fi facilitată prin dilatare și/sau lubrifiere.
2. **Inserția protezei vocale**
Țineți nemișcat tubul de încărcare cu o mână și împingeți tija de inserție cu cealaltă mână până când săgețile suprafeței de priză distale sunt la același nivel cu marginea inferioară a instrumentului de pliere (Fig. 7). În acest stadiu, flanșa esofagiană a protezei vocale este desfășurată complet în esofag.
3. **Eliberarea protezei vocale**
Trageți tubul de încărcare și instrumentul de pliere direct afară din punctie. Proteza vocală rămâne în punctie, fiind încă fixată pe tija de inserție.
4. **Finalizarea procedurii**
După inserție, finalizați procedura în modul prezentat în secțiunea 2.5 de mai jos.

2.3.2 Metoda 2: Inserția cu ajutorul tubului

Pentru a spori vizibilitatea, instrumentul de pliere poate fi îndepărtat odată ce proteza a fost împinsă în tubul de încărcare.

Observație: este important să folosiți întotdeauna dispozitivul Provox Insertion System cu instrumentul de pliere atașat când încărcați proteza, pentru a asigura plierea corectă a flanșei esofagiene.

1. **Scoaterea instrumentului de pliere**
Îndepărtați instrumentul de pliere prin deblocarea și deconectarea acestuia de pe tubul de încărcare (Fig. 8).

2. **Insertia în punctia TE**

Țineți dispozitivul Provox Insertion System apucând tubul de încărcare. Introduceți vârful tubului de încărcare în punctie. Avansați cu grijă dacă întâmpinați rezistență. Dacă se observă rezistență, inserția poate fi facilitată prin dilatare și/sau lubrifiere.

3. **Insertia protezei vocale**

Împingeți tija de inserție cu cealaltă mână până când săgețile suprafeței de priză proximale sunt la același nivel cu tubul de încărcare (Fig. 9). În acest stadiu, flanșa esofagiană a protezei vocale este desfășurată complet în esofag.

4. **Eliberarea protezei vocale**

Țineți tubul de încărcare cu o mână și tija de inserție cu cealaltă mână. Trageți înapoi atât de tubul de încărcare, cât și de tija de inserție, până când simțiți că flanșa esofagiană a ajuns la peretele esofagian anterior. După aceea, dați drumul tije de inserție și trageți tubul de încărcare direct afară din punctie. Acest lucru va duce la eliberarea flanșei traheale.

Observație: dacă flanșa traheală se desfășoară în esofag sau în punctie (depășire neintenționată), prindeți flanșa traheală cu o pensă hemostatică fără striatii și trageți/roțiți proteza vocală până când ajunge în poziția prevăzută.

5. **Finalizarea procedurii**

După inserție, finalizați procedura conform instrucțiunilor de la punctul 2.5 de mai jos.

2.3.3 Metoda 3: Insertia prin depășire

Ocazional, nivelul de profunzime la care este introdusă proteza vocală Provox Vega este depășit pentru a asigura desfășurarea completă a flanșei esofagiene în punctiile TE dificile.

1. **Îndepărtarea instrumentului de pliere (opțională)**

După împingerea protezei în tubul de încărcare, scoateți instrumentul de îndoire prin deblocarea și deconectarea acestuia de la tubul de încărcare (Fig. 8).

2. **Insertia în punctia TE**

Țineți dispozitivul Provox Insertion System apucând tubul de încărcare. Introduceți vârful tubului de încărcare în punctie. Avansați cu grijă dacă întâmpinați rezistență. Dacă se observă rezistență, inserția poate fi facilitată prin dilatare și/sau lubrifiere.

3. **Insertia protezei vocale**

Țineți nemișcat tubul de încărcare cu o mână și împingeți tija de inserție cu cealaltă mână, dincolo de suprafața de priză proximală (Fig. 10). În acest stadiu, proteza vocală este desfășurată complet în esofag (Fig. 11).

Dacă inserția prin depășire este realizată cu instrumentul de pliere încă atașat, împingeți tija de inserție dincolo de suprafața de priză distală. În acest stadiu, proteza vocală este desfășurată complet în esofag (Fig. 12).

4. **Eliberarea protezei vocale**

Trageți afară tubul de încărcare din punctie. Proteza rămâne în esofag, fixată în continuare pe tija de inserție. Prindeți flanșa traheală cu o pensă hemostatică fără striatii și trageți/roțiți proteza vocală până când ajunge în poziția prevăzută.

5. **Finalizarea procedurii**

După inserție, finalizați procedura conform instrucțiunilor de la punctul 2.5 de mai jos.

2.3.4 Metoda 4: Insertia cu ajutorul capsulei

Domeniu de utilizare

Capsula Provox Capsule este un accesoriu de unică folosință pentru inserția anterogradă a unei proteze vocale standard de către un medic în punctia traheoesofagiană a unui pacient cu laringectomie.

Descrierea dispozitivului

Capsulele Provox Capsule sunt fabricate dintr-un material solubil în apă, de origine vegetală. Acestea sunt disponibile în mai multe dimensiuni pentru a se potrivi cu trei diametre diferite de proteză vocală: 17, 20 și 22,5 Fr.

AVERTISMENTE

- Asigurați-vă întotdeauna că proteza vocală este pliată corect și introdusă corespunzător în capsula Provox Capsule înainte de inserție. În cazul în care capsula Provox Capsule se desprinde prematur, aceasta ar putea fi aspirată. Observație: lubrifiantii pot compromite fixarea capsulei.
- Nu folosiți capsula Provox Capsule dacă se suspectează o contaminare.
- Nu folosiți capsulele Provox Capsule dacă ambalajul sau capsulele par să fie deteriorate.
- Asigurați-vă că proteza vocală este funcțională după inserția în punctia TE. Urmați întotdeauna precauțiile privind siguranța indicate în instrucțiunile de utilizare a protezei vocale după inserție.

PRECAUȚII

- Nu folosiți obiecte ascuțite pentru introducerea flanșei esofagiene în capsula Provox Capsule, deoarece acestea pot deteriora proteza vocală.
- Folosiți exclusiv o capsulă Provox Capsule de aceeași dimensiune ca diametrul protezei vocale sau de o dimensiune mai mare decât acesta.

Instrumentul de pliere al dispozitivului Provox Insertion System poate fi utilizat pentru a plia flanșa esofagiană a unei proteze vocale Provox Vega standard într-o capsulă Provox Capsule*. Tubul de încărcare nu este utilizat în cadrul acestei proceduri.

1. **Inserați proteza în Provox Capsule**

Eliminați partea lungă a capsulei Provox Capsule și folosiți partea scurtă pentru inserție. Strângeți instrumentul de pliere cu două degete și plasați capsula în deschiderea instrumentului de pliere (Fig. 13). Mențineți instrumentul de pliere strâns, în timp ce apăsați în jos capsula pe acesta cu degetul arătător (Fig. 14). Ca alternativă, folosiți dispozitivul Provox TwistLock pentru a ține strâns instrumentul

de pliere. Împingeți ferm înainte tija de inserție pentru a încărca flanșa esofagiană a protezei vocale în capsulă.

2. Verificați corectitudinea încărcării

Proteza vocală este acum încărcată în Provox Capsule și instrumentul de pliere poate fi îndepărtat de pe tija de inserție. Asigurați-vă că flanșa esofagiană se află în interiorul capsulei (Fig. 15). Dacă proteza vocală nu este pliată corect, procesul de încărcare trebuie repetat cu o capsulă Provox Capsule nouă. Asigurați-vă că banda protezei vocale este fixată pe tija de inserție destinată inserției protezei în puncție.

3. Îndepărtați proteza vocală veche și pregătiți puncția TE (a se vedea secțiunea 2.2, punctele 6 și 7).

4. Introduceți capsula Provox Capsule în puncție.

Mențineți proteza vocală introdusă în întregime până când capsula Provox Capsule se dizolvă și flanșa esofagiană este complet depliată. Trageți ușor de banda protezei vocale pentru a vă asigura că se află în poziția corespunzătoare.

5. Eliberarea protezei vocale

Scoateți tija de inserție din proteza vocală. Proteza vocală rămâne în puncție.

6. Finalizarea procedurii

După inserție, finalizați procedura conform instrucțiunilor de la punctul 2.5 de mai jos.

* Produsul nu este disponibil în toate țările.

2.4 Asamblarea și reîncărcarea dispozitivului Provox Insertion System

Dacă prima încercare de inserție a dispozitivului Provox Vega în puncția TE nu a reușit, proteza vocală poate fi încărcată din nou în dispozitivul Provox Insertion System.

Poziționarea protezei vocale

1. Montați proteza vocală cu latura traheală în jos peste tija vocală.
2. Atașați banda de siguranță introducând-o din orice direcție prin orificiul de atașare.
3. Asigurați-vă că proteza vocală este poziționată corect și atașată fix pe tija de inserție, vârful tijei de inserție fiind introdus până la capăt în inelul albastru al protezei vocale (Fig. 3).

Atașați instrumentul de pliere

4. Ghidați tija de inserție prin deschiderea instrumentului de pliere până când se fixează cu un clic. Trageți de tijă până când aceasta se fixează cu un clic în instrumentul de pliere (Fig. 16). Dispozitivul Provox Insertion System poate fi pregătit. Continuați pregătirea conform instrucțiunilor din secțiunea 2.2 de mai sus.

ATENȚIE: a nu se reîncărca decât de maximum două ori. Dacă proteza vocală Provox Vega prezintă semne de deteriorare, nu o utilizați.

2.5 Finalizarea procedurii

După inserție:

Asigurați-vă că proteza este poziționată corect

1. Rotiți și trageți ușor de tija de inserție pentru a vă asigura că proteza vocală este în poziția corectă (Fig. 17). Proteza este în poziția ideală când banda de siguranță este orientată în jos.

Testați funcționarea corectă

2. Periați proteza Provox Vega cu peria Provox. Testați funcționarea corectă a protezei cerându-i pacientului să vorbească și observând dacă apar scurgeri la nivelul protezei când pacientul bea apă (Fig. 18).

Tăiați banda de siguranță

3. După ce v-ați asigurat că proteza vocală este poziționată corect, tăiați banda de siguranță astfel încât să fie la nivelul flanșei traheale (Fig. 19). Proteza vocală Provox Vega este acum gata de utilizare.

2.6 Eliminarea

Urmați întotdeauna practicile medicale și cerințele naționale privind pericolele biologice când eliminați un dispozitiv medical uzat.

3. Informații importante pentru pacient

3.1 Informații generale

Asigurați-vă că pacientul înțelege că trebuie să contacteze medicul dacă:

- există o scurgere prin proteză sau în jurul acesteia (tuse și/sau modificarea culorii mucusului);
- vorbirea devine dificilă (efort mai mare și/sau vocea este mai încordată);
- există semne de inflamații sau schimbări la nivelul țesutului din zona puncției sau a stomei (durere, roșeață, căldură, umflare, urme de sânge pe perie după periere).

De asemenea, informați pacientul cu privire la următoarele:

- după înlocuirea protezei, pot apărea urme de sânge în spută. Acest lucru poate fi cauzat de țesutul de granulație de pe marginile puncției TE;
- instrumentul Provox Vega Plug poate fi utilizat temporar pentru a opri scurgerile din proteza vocală;
- se recomandă ședințe de logopedie cu un medic instruit pentru a dobândi un sunet optim al vocii, vorbire fluentă și inteligibilitate optimă.

3.2 Întreținerea protezei

Instruiți pacientul privind frecvența și modul de curățare a protezei vocale Provox Vega. Curățarea protezei de cel puțin două ori pe zi poate contribui la prelungirea duratei de viață a produsului.

ATENȚIE: utilizați doar accesorii Provox autentice destinate folosirii împreună cu produsul Provox Vega pentru a curăța proteza.

- Perierea protezei cu peria Provox de două ori pe zi va ajuta la îndepărtarea mucusului și a resturilor de alimente de pe proteză.
- De asemenea, clătirea protezei cu soluția Provox Flush ajută și la curățarea depunerilor și mucusului de pe proteză, ceea ce poate prelungi durata de viață a dispozitivului.

Observație: soluția Provox Flush este destinată utilizării numai de către pacienții care, conform evaluării realizate de medicul care prescrie dispozitivul, au demonstrat că sunt capabili să înțeleagă și să urmeze în mod consecvent instrucțiunile de utilizare fără supravegherea unui medic.

- Poate fi utilă luarea unor măsuri privind alimentația, cum ar fi consumul zilnic de iaurt sau lapte bătut, datorită conținutului de lactobacili care împiedică dezvoltarea excesivă a candidoziei.

Pentru informații detaliate privind modul de curățare a produsului Provox Vega, consultați instrucțiunile de utilizare ale fiecărui accesoriu.

4. Informații suplimentare

4.1 Compatibilitatea cu rezonanța magnetică, radiografia și radioterapia

Protezele vocale Provox Vega au fost testate și găsite a fi compatibile cu imagistica prin rezonanță magnetică (testate până la 3 Tesla), cu radiografia și radioterapia (testate până la 70 Gy). Proteza poate fi menținută în interiorul punctiei TE în timpul sesiunii de examinare/terapie. **Observație:** scaunul supapei, realizat din material radioopac, este vizibil la radiografie.

4.2 Durata de viață a dispozitivului

Durationa de viață a dispozitivului variază în funcție de circumstanțele biologice individuale și nu este posibilă estimarea integrității dispozitivului pe o perioadă lungă de timp. Materialul din care este fabricat dispozitivul poate fi afectat de bacterii și ciuperci, astfel că integritatea structurală a dispozitivului va fi afectată în cele din urmă.

Testele de laborator de simulare a utilizării pe o perioadă de probă de 12 luni arată că, în absența bacteriilor și a ciupercilor, dispozitivul își va menține integritatea structurală pe parcursul acestei perioade de timp. Dispozitivul nu a fost testat pe o perioadă de utilizare de peste 12 luni. Depășirea acestei limite este exclusiv la discreția medicului care prescrie dispozitivul.

4.3 Compatibilitatea cu medicamentele antimicotice

Testele de laborator arată numai o influență negativă minoră asupra funcționării protezei vocale Provox Vega și a componentelor acesteia pe timpul utilizării următoarelor medicamente antimicotice: Nistatin, Fluconazol, Miconazol.

5. Raportarea

Orice incident grav care a avut loc în legătură cu dispozitivul trebuie raportat producătorului sau autorității naționale din țara în care se află utilizatorul și/sau pacientul.

HRVATSKI

Provox® Vega™

1. Opisne informacije

1.1 Namjena

Provox Vega sterilna je jednokratna ugrađena govorna proteza namijenjena za glasovnu rehabilitaciju nakon kirurškog odstranjenja grkljana (laringektomije). Čišćenje govorne proteze obavlja pacijent dok ona ostaje na mjestu.

Provox Insertion System sterilni je jednokratni proizvod namijenjen za anterogradnu zamjenu govorne proteze Provox Vega. Postupak zamjene treba provesti liječnik ili obučeni zdravstveni djelatnik uz pridržavanje lokalnih i nacionalnih smjernica.

Provox Insertion System nije namijenjen za umetanje govorne proteze u novo napravljenu punkciju.

1.2 Opis proizvoda

Općenito

Govorna proteza Provox Vega jednosmjerni je ventil (proteza) koji drži TE-punkciju otvorenu za govor, dok istovremeno smanjuje opasnost od ulaska tekućina i hrane u traheju. Govorna proteza Provox Vega nije trajni implantat i potrebno ju je periodički

mijenjati. Proteza (sl. 1) je dostupna u različitim promjerima i nekoliko dužina. Proizvod je napravljen od silikonske gume medicinskog standarda i fluoroplastike.

Pakiranje proteze Provox Vega

Pakiranje proteze Provox Vega sadrži sljedeće:

- 1 prethodno sastavljenu govornu protezu Provox Vega unutar jednokratnog uređaja Insertion System, sterilnu (sl. 2)
- 1 četkicu Provox Brush veličine koja odgovara govornoj protezi, nesterilnu
- 1 Priručnik za kliničkog djelatnika za protezu Provox Vega
- 1 Priručnik za pacijenta za protezu Provox Vega
- 1 Upute za upotrebu četkice Provox Brush

1.3 KONTRAINDIKACIJE

Ne postoje poznate kontraindikacije za upotrebu ili zamjenu govorne proteze Provox Vega u pacijenata koji se već koriste protetičkom rehabilitacijom govora.

1.4 UPOZORENJA

- **Može doći do pomicanja ili ekstruzije govorne proteze Provox Vega** iz TE-punkcije te narednog gutanja, aspiracije ili oštećenja tkiva. Strano tijelo u dišnim putevima može uzrokovati ozbiljne komplikacije kao što je akutni respiratorni distress i/ili respiratorni arrest.
- **Odaberite ispravnu veličinu proteze.** Tijesno postavljanje može uzrokovati nekrozu i ekstruziju tkiva.
- **Posavjetujte pacijenta** da u slučaju tkivnog edema i/ili upale/infekcije odmah zatraži liječničku pomoć.
- **Savjetujte pacijenta da se obrati liječniku** ako dođe do propuštanja kroz govornu protezu ili oko nje. Propuštanje može uzrokovati aspiracijsku upalu pluća.
- **Ako upotrebljavate laringealnu kanilu ili stomalnu tipku**, odaberite one odgovarajućeg oblika koji ne pritišću protezu niti se zahvaćaju za trahealnu prirubnicu tijekom umetanja i uklanjanja laringealne kanile ili stomalne tipke. To može prouzročiti ozbiljno oštećenje tkiva i/ili slučajno gutanje proteze.
- **Uputite pacijenta da se koristi isključivo originalnim dodacima Provox** odgovarajuće veličine (Brush (četkica), Flush (ispiranje), Plug (čep)) za održavanje i da izbjegava sve ostale vrste rukovanja.
- **Ponovna uporaba i ponovna obrada** mogu uzrokovati unakrsnu kontaminaciju i oštetiti proizvod te ugroziti zdravlje pacijenta.

1.5 MJERE OPREZA.

- Prije postavljanja ili zamjene proteze pažljivo procijenite sve pacijente koji imaju poremećaj krvarenja ili primaju antikoagulantnu terapiju zbog rizika od krvarenja ili hemoragije
- Provjerite pakiranje prije uporabe. Ako je pakiranje oštećeno ili otvoreno, nemojte upotrebljavati proizvod.
- Uvijek primjenjujte sterilnu tehniku prilikom rukovanja protezom kako biste smanjili rizik od nastanka infekcije.

2. Upute za upotrebu

2.1 Odabir veličine govorne proteze

Odabir odgovarajućeg promjera osovine i dužine zamjenske proteze

Rabite govornu protezu Provox Vega s odgovarajućim promjerom i duljinom osovine. Provox Vega dostupna je u različitim promjerima osovine i nekoliko dužina.

- **Odabir promjera osovine**

Klinički djelatnik mora odrediti odgovarajući promjer proteze koji je prikladan za pacijenta.

Ako je odabrani promjer veći od promjera prethodne proteze, trakt se mora proširiti dilatorom Provox Dilator sukladno promjeru proteze koja se umeće.

Ako umećete protezu s manjim promjerom osovine, promatrajte ju i provjerite je li se veličina punkcije smanjila na odgovarajući promjer.

- **Odabir dužine osovine**

Za odabir ispravne dužine možete upotrijebiti trenutnu protezu kao mjerni uređaj.

Ako ima previše (tj. 3 mm / ~0,12 inča ili više) prostora između trahealne prirubnice stare proteze i stijenke sluznice, treba se upotrijebiti kraća proteza. Ako proteza sjeda pretijesno, treba se upotrijebiti duža proteza.

2.2 Priprema

(Sl. 3 – 6).

Namještanje govorne proteze

1. Provjerite je li govorna proteza ispravno postavljena na iglu uvođača i čvrsto pričvršćena, a vrh igle uveden sve do plavog prstena govorne proteze (sl. 3).

Savijanje ezofagealne prirubnice

2. Provjerite je li igla uvođača ispravno namještena uz pomoć pomagala za savijanje (igla će se uvući u pomagalo za savijanje).
3. Pritisnite pomagalo za savijanje s pomoću dva prsta (sl. 4).
4. Pričvrstite cijev za postavljanje dok je pomagalo za savijanje zatvoreno i zakrećite cijev za postavljanje sve dok ne sjedne na svoje mjesto (sl. 5).

(N/D za umetanje s pomoću kapsule)

Postavljanje

5. Gurajte iglu uvođača prema naprijed sve dok govorna proteza ne bude poravnata s vidljivim prstenom na cijevi za postavljanje (sl. 6). (N/D za umetanje s pomoću kapsule)

Uklanjanje stare govorne proteze

6. Izvadite trenutačnu (staru) protezu iz TE-punkcije tako da ju izvučete hemostatom bez zubaca. Osim toga, prema nahodjenju kliničkog djelatnika, trahealna prirubnica proteze može se zahvatiti forcepsom i odsjeći. Ostatak proteze zatim se gura u ezofagus kako bi prošao kroz probavni trakt. Prije primjene ove metode treba uzeti u obzir povijest crijevnih bolesti pacijenta.

Priprema punkcije (neobavezno)

7. Punkcija se može raširiti da se pripremi za umetanje govorne proteze. To obično nije potrebno, ali može olakšati umetanje u pacijenata s nagnutom ili uskom punkcijom koja se lako priljubljuje.

2.3 Umetanje, postupak anterogradne zamjene

Za umetanje govorne proteze Provox Vega s pomoću uređaja Provox Insertion System mogu se primijeniti četiri metode. Metoda se odabire prema nahodjenju kliničkog djelatnika.

- 2.3.1 Umetanje s pomoću uređaja za umetanje: upotrebljava se cijeli uređaj za umetanje.
- 2.3.2 Umetanje s pomoću cijevi: pomagalo za savijanje uklanja se prije umetanja.
- 2.3.3 Umetanje prebačajem: cijela govorna proteza umeće se u ezofagus, a zatim se povlači u željeni položaj.
- 2.3.4 Umetanje s pomoću kapsule: govorna proteza stavlja se u kapsulu Provox Capsule prije umetanja.

2.3.1 metoda: Umetanje s pomoću uređaja za umetanje

1. **Ulaženje u TE-punkciju**
Primitelj cijev za postavljanje uređaja Provox Insertion System. Vrhom cijevi za postavljanje krenite ulaziti u punkciju. Oprezno nastavite ako naidete na otpor. Ako naidete na otpor, raširivanjem i/ili podmazivanjem možete olakšati umetanje.
2. **Umetanje govorne proteze**
Jednom rukom stabilizirajte cijev za postavljanje, a drugom umećite iglu uvođača sve dok se strelice na distalnoj hvatnoj površini ne poravnaju s donjim rubom pomagala za savijanje (sl. 7). U ovom je trenutku ezofagealna prirubnica govorne proteze u potpunosti otvorena u ezofagusu.
3. **Otpuštanje govorne proteze**
Cijev za postavljanje i pomagalo za savijanje zajedno izvučite iz punkcije. Govorna proteza ostat će u punkciji, još uvijek čvrsto pričvršćena na iglu uvođača.
4. **Dovršavanje postupka**
Nakon umetanja, postupak dovršite na način opisan u nastavku u odjeljku 2.5.

2.3.2 metoda: Umetanje s pomoću cijevi

Kako bi se poboljšala vidljivost, pomagalo za savijanje može se ukloniti nakon što se proteza umetne u cijev za postavljanje.

Napomena: važno je da uvijek rabite Provox Insertion System s pričvršćenim pomagalom za savijanje prilikom umetanja proteze kako biste omogućili pravilno savijanje ezofagealne prirubnice.

1. **Uklanjanje pomagala za savijanje**
Uklonite pomagalo za savijanje otkvačivanjem i odspajanjem s cijevi za postavljanje (sl. 8).
2. **Ulaženje u TE-punkciju**
Primitelj cijev za postavljanje uređaja Provox Insertion System. Vrhom cijevi za postavljanje krenite ulaziti u punkciju. Oprezno nastavite ako naidete na otpor. Ako naidete na otpor, raširivanjem i/ili podmazivanjem možete olakšati umetanje.
3. **Umetanje govorne proteze**
Umećite iglu uvođača drugom rukom sve dok se strelice na proksimalnoj hvatnoj površini ne poravnaju s cijevi za postavljanje (sl. 9). U ovom je trenutku ezofagealna prirubnica govorne proteze u potpunosti otvorena u ezofagusu.
4. **Otpuštanje govorne proteze**
Jednom rukom pridržavajte cijev za postavljanje, a drugom iglu uvođača. Povlačite i cijev za postavljanje i iglu uvođača prema natrag sve dok ne osjetite da je ezofagealna prirubnica dosegla stražnju ezofagealnu stijenku. Tada pustite iglu uvođača i izvučite cijev za postavljanje iz punkcije. Na taj će se način otpustiti trahealna prirubnica.
Napomena: ako se trahealna prirubnica otvori u ezofagusu ili punkciji (nenamjerni prebačaj), zahvatite trahealnu prirubnicu hemostatom bez zubaca i povucite/zakrenite govornu protezu tako da sjedne na mjesto.
5. **Dovršavanje postupka**
Nakon umetanja, postupak dovršite na način opisan u nastavku u odjeljku 2.5.

2.3.3 metoda: Umetanje prebačajem

Povremeno se obavlja umetanje govorne proteze Provox Vega prebačajem kako bi se omogućilo potpuno umetanje ezofagealne prirubnice u komplicirane TE-punkcije.

1. **Uklanjanje pomagala za savijanje (neobavezno)**
Nakon što se proteza umetne u cijev za postavljanje, uklonite pomagalo za savijanje otkvačivanjem i odspajanjem s cijevi za postavljanje (sl. 8).
2. **Ulaženje u TE-punkciju**
Primitelj cijev za postavljanje uređaja Provox Insertion System. Vrhom cijevi za postavljanje krenite ulaziti u punkciju. Oprezno nastavite ako naidete na otpor. Ako naidete na otpor, raširivanjem i/ili podmazivanjem možete olakšati umetanje.

3. Umetanje govorne proteze

Jednom rukom stabilizirajte cijev za postavljanje, a drugom umećite iglu uvođača dok ne prijedete proksimalnu hvatnu površinu (sl. 10). U ovom je trenutku govorna proteza u potpunosti umetnuta u ezofagus (sl. 11).

Ako se umetanje prebačajem izvodi dok je pomagalo za savijanje sastavljeno, umećite iglu uvođača dok ne prijedete distalnu hvatnu površinu. U ovom je trenutku govorna proteza u potpunosti umetnuta u ezofagus (sl. 12).

4. Otpuštanje govorne proteze

Izvcite cijev za postavljanje iz punkcije. Proteza će ostati u ezofagusu, još uvijek čvrsto pričvršćena na iglu uvođača. Zahvatite trahealnu priрубnicu hemostatom bez zubaca i povucite/zakrenite govornu protezu tako da sjedne na mjesto.

5. Dovršavanje postupka

Nakon umetanja, postupak dovršite na način opisan u nastavku u odjeljku 2.5.

2.3.4 metoda: Umetanje s pomoću kapsule

Namjena

Provox Capsule jednokratna je dodatak koji kliničkim djelatnicima služi za anterogradno uvođenje standardne govorne proteze u traheoezofagealnu fistulu pacijenata podvrgnutih laringektomiji.

Opis proizvoda

Kapsule Provox Capsule proizvedene su od materijala biljnog podrijetla topivog u vodi, veličina koje odgovaraju trima različitim promjerima govornih proteza: 17, 20 i 22,5 Fr.

UPOZORENJA

- Prije uvođenja svakako provjerite je li govorna proteza pravilno savijena i je li pravilno umetnuta u kapsulu Provox Capsule. Ako se kapsula Provox Capsule prerano odvoji, može se aspirirati. Imajte na umu da lubrikanti mogu oslabiti pričvršćivanje kapsule.
- Provox Capsule ne upotrebljavajte ako sumnjate na kontaminaciju.
- Provox Capsule ne upotrebljavajte ako pakiranje ili kapsule djeluju oštećeno.
- Pobrinite se da govorna proteza radi nakon uvođenja u TE-fistulu. Nakon uvođenja uvijek slijedite mjere opreza navedene u uputama za upotrebu govorne proteze.

MJERE PREDOSTROŽNOSTI

- Za umetanje ezofagealne priрубnice u Provox Capsule ne upotrebljavajte oštre predmete jer možete oštetiti govornu protezu.
- Upotrijebite isključivo kapsulu Provox Capsule veličine jednake promjeru govorne proteze ili za jednu veličinu veću.

Pomagalo za savijanje uređaja Provox Insertion System može se rabiti za savijanje ezofagealne priрубnice standardne govorne proteze Provox Vega u kapsulu Provox Capsule*. U ovom se postupku ne upotrebljava cijev za postavljanje.

1. Umetanje proteze u kapsulu Provox Capsule

Odložite dulji dio kapsule Provox Capsule i upotrijebite kraći dio za uvođenje. Pritisnite pomagalo za savijanje s pomoću dva prsta i stavite kapsulu u otvor pomagala za savijanje (sl. 13). Pridržavajte spojeno pomagalo za savijanje dok zadržavate kapsulu kažiprstom (sl. 14). Da biste pridržali spojeno pomagalo za savijanje, možete koristiti i Provox TwistLock. Gurnite iglu uvođača čvrsto prema naprijed; tako ćete umetnuti ezofagealnu priрубnicu govorne proteze u kapsulu.

2. Provjera pravilnosti umetanja

Govorna proteza sada je umetnuta u kapsulu Provox Capsule, tako da se pomagalo za savijanje može ukloniti iz igle uvođača. Potvrdite da je ezofagealna priрубnica unutar kapsule (sl. 15). Ako govorna proteza nije ispravno savijena, postupak umetanja treba ponoviti s novom kapsulom Provox Capsule. Pobrinite se da je vrpca govorne proteze učvršćena na iglu uvođača koja je namijenjena za uvođenje proteze u punkciju.

3. Uklonite staru govornu protezu i pripremite TE punkciju (pogledajte odjeljak 2.2, točke 6 i 7).

4. Uvedite Provox Capsule u punkciju.

Zadržite govornu protezu u uvedenom položaju dok se Provox Capsule ne otopi, a ezofagealna priрубnica ne otvori do kraja. Lagano povucite vrpcu govorne proteze da biste osigurali da je u pravilnom položaju.

5. Otpuštanje govorne proteze

Iz govorne proteze uklonite iglu uvođača. Govorna proteza ostat će u punkciji.

6. Dovršavanje postupka

Nakon umetanja, postupak dovršite na način opisan u nastavku u odjeljku 2.5.

* Nije dostupno u svim državama.

2.4 Sastavljanje i ponovno postavljanje uređaja Provox Insertion System

Ako prvi pokušaj umetanja proteze Provox Vega u TE-punkciju ne uspije, govorna proteza može se ponovno postaviti u uređaj Provox Insertion System.

Namještanje govorne proteze

1. Namjestite govornu protezu tako da trahealna strana bude okrenuta prema dolje na vrhu igle uvođača.
2. Pričvrstite sigurnosnu vrpcu tako da je provedete kroz pričvrсни utor s obje strane.
3. Provjerite je li govorna proteza ispravno postavljena na iglu uvođača i čvrsto pričvršćena, a vrh igle uveden sve do plavog prstena govorne proteze (sl. 3).

Spajanje pomagala za savijanje

4. Provodite iglu uvođača kroz otvor na pomagalu za savijanje dok ne klikne na mjesto. Povlačite iglu uvođača dok se ne uvuče u pomagalo za savijanje (sl. 16). Provox Insertion System sada je spreman za pripremanje. Nastavite s pripremom na način opisan u prethodnom odjeljku 2.2.

OPREZ: ponovno postavljanje nemojte izvoditi više od dva puta. Ako su na govornoj protezi Provox Vega vidljivi znakovi oštećenja, nemojte je rabiti.

2.5 Dovršavanje postupka

Nakon umetanja:

Provjerite pravilnost pristajanja

1. Provjerite nalazi li se govorna proteza u pravilnom položaju tako da zakrenete i lagano povučete iglu uvodača (sl. 17). Proteza je u idealnom položaju kada je sigurnosna vrpca okrenuta prema dolje.

Ispitajte funkcionalnost

2. Očerkajte protezu Provox Vega četkicom Provox Brush. Ispitajte funkcionalnost proteze tako da zamolite pacijenta da nešto kaže i potvrdite da proteza ne propušta dok pacijent pije vodu (sl. 18).

Odrežite sigurnosnu vrpcu

3. Nakon što ste potvrdili da je govorna proteza pravilno postavljena, odrežite sigurnosnu vrpcu tako da bude u ravnini s trahealnom prirubnicom (sl. 19). Govorna proteza Provox Vega sada je spremna za upotrebu.

2.6 Odlaganje u otpad

Uvijek slijedite medicinsku praksu i nacionalne propise o odlaganju opasnog otpada kada odlazite iskorišteni medicinski proizvod.

3. Važne informacije za pacijente

3.1 Općenite informacije

Provjerite razumije li pacijent da se mora javiti kliničkom djelatniku ako:

- Postoji propuštanje kroz ili oko proteze (kašalj i/ili mijenjanje boje sluzi).
- Govor postane otežan (veći napor i/ili govor zvuči više napregnuto).
- Dolazi do bilo kakvih znakova upale ili promjene tkiva na mjestu punkcije ili području stome (bol, crvenilo, toplina, otekline, tragovi krvi na četkici nakon četkanja).

Također, obavijestite pacijenta o sljedećem:

- Nakon zamjene proteze u sputumu može biti tragova krvi. Oni mogu biti rezultat granulacije na rubovima TE-punkcije.
- Čep Provox Vega Plug može se rabiti za privremeno zaustavljanje propuštanja kroz govornu protezu.
- Preporučuju se govorne vježbe s obučanim kliničkim djelatnikom kako bi se postigao optimalan zvuk glasa, tečan govor i optimalna razumljivost.

3.2 Održavanje proteze

Podučite pacijenta tome kada i kako treba čistiti svoju govornu protezu Provox Vega. Čišćenjem proteze barem dva puta dnevno može se produljiti vijek trajanja uređaja.

OPREZ: za čišćenje proteze upotrebljavajte isključivo originalne dodatke Provox koji su namijenjeni za upotrebu s protezom Provox Vega.

- Četkanjem proteze četkicom Provox Brush dvaput dnevno uklonit ćete sluz i ostatke hrane iz proteze.
- Ispiranjem proteze s pomoću dodatka Provox Flush za ispiranje čiste se nečistoće i sluz iz proteze, čime se može produljiti vijek trajanja uređaja.
Napomena: dodatak Provox Flush za ispiranje namijenjen je samo pacijentima koji su, po procjeni kliničkog djelatnika koji propisuje uređaj, pokazali sposobnost da razumiju i dosljedno se pridržavaju uputa za uporabu bez nadzora kliničkog djelatnika.
- Za neke se prehrambene mjere, kao što je svakodnevni unos jogurta ili mlaćenice koji sadrže laktobacile, smatra da pomažu spriječiti prekomjeren razvoj kandidate.

Detaljne informacije o čišćenju proteze Provox Vega potražite u Uputama odgovarajućeg dodatka.

4. Dodatne informacije

4.1 Kompatibilnost s MR-om, rendgenom i liječenjem zračenjem

Govorne proteze Provox Vega ispitane su i utvrđeno je da su kompatibilne sa snimanjem magnetskom rezonancijom (testirano do 3 tesle) i rendgenom te liječenjem zračenjem (testirano do 70 Gy). Proteza se može ostaviti unutar TE-punkcije tijekom pregleda / terapijskog tretmana. Imajte na umu da je radiokontrastni dosjed ventila vidljiv na rendgenu.

4.2 Životni vijek proizvoda

Ovisno o pojedinačnim biološkim okolnostima razlikuje se životni vijek proizvoda i nije moguće predvidjeti integritet proizvoda tijekom dužeg vremenskog razdoblja. Na materijal proizvoda utjecat će primjerice bakterije i gljivice, a strukturni integritet proizvoda s vremenom će se pogoršati.

Laboratorijsko testiranje simulirane uporabe tijekom razdoblja testiranja od 12 mjeseci dokazalo je da u odsustvu bakterija i gljivica proizvod održava svoj strukturni integritet u tom vremenskom razdoblju. Uređaj nije ispitan za uporabu nakon 12 mjeseci. Upotreba dulja od ove granice ovisi isključivo o osobi koja preporučuje upotrebu proteze.

4.3 Kompatibilnost s antimikoticima

Laboratorijsko testiranje pokazalo je samo manji negativan utjecaj na funkciju govorne proteže Provox Vega i njezinih dijelova kada su se upotrebljavali sljedeći antimikotici: nistatin, flukonazol, mikonazol.

5. Prijava nezgoda

Sve ozbiljne incidente povezane s uređajem potrebno je prijaviti proizvođaču I nacionalnom tijelu u državi u kojoj se korisnik i/ili bolesnik nalazi.

SRPSKI

Provox® Vega™

1. Opisne informacije

1.1 Namena

Govorna proteža Provox Vega je sterilna fiksna govorna proteža za jednokratnu upotrebu namenjena za vraćanje govornih sposobnosti nakon hirurškog odstranjenja grkljana (laringektomije). Za čišćenje govorne proteže in situ zadužen je pacijent.

Provox Insertion System je sterilno sredstvo za jednokratnu upotrebu namenjeno za naknadnu zamenu govorne proteže Provox Vega. Za proceduru zamene zadužen je lekar ili zdravstveni radnik obučen u skladu sa lokalnim i državnim smernicama.

Provox Insertion System nije namenjen za ugradnju govorne proteže u tek formiran otvor.

1.2 Opis medicinskog sredstva

Opšte informacije

Provox Vega je jednosmerna valvula (proteža) koja traheozofagealni otvor (TE otvor) drži otvorenim za govor i u isto vreme otklanja rizik od ulaska tečnosti i hrane u dušnik. Govorna proteža Provox Vega nije trajni implantat i treba je povremeno menjati. Proteža (slika 1) dostupna je u različitim prečnicima i nekoliko dužina. Medicinsko sredstvo je izrađeno od medicinske silikonske gume i fluoroplastike.

Pakovanje proizvoda Provox Vega

Pakovanje proizvoda Provox Vega sadrži:

- 1 sterilnu govornu protežu Provox Vega ubačenu u proizvod Insertion System (slika 2)
- 1 nesterilnu Provox Brush (četkicu) u veličini koja odgovara govornoj proteži
- 1 priručnik za upotrebu proizvoda Provox Vega za lekara
- 1 priručnik za upotrebu proizvoda Provox Vega za pacijenta
- 1 uputstvo za upotrebu Provox četkice

1.3 KONTRAINDIKACIJE

Nema poznatih kontraindikacija za upotrebu ili zamenu govorne proteže Provox Vega kod pacijenata koji koriste proizvod za prostetičko vraćanje govornih sposobnosti.

1.4 UPOZORENJA

- Može doći do **pomeranja ili izbijanja govorne proteže Provox Vega** iz TE otvora, te posledično do njenog gutanja, aspiracije sadržaja ili oštećenja tkiva. Strano telo u disajnim putevima može dovesti do ozbiljnih komplikacija, poput akutnog respiratornog distres sindroma i/ili zastoja disanja.
- **Izabrati odgovarajuću veličinu proteže.** Pribijena proteža može dovesti do nekroze tkiva i njenog izbijanja iz otvora.
- **Naložiti pacijentu da se odmah obrati lekaru** ako primeti bilo kakve znake edema tkiva i/ili upale ili infekcije.
- **Naložiti pacijentu da se obrati lekaru** ako dođe do propuštanja sadržaja oko govorne proteže ili kroz nju. Propuštanje sadržaja može dovesti do aspiracione pneumonije.
- **U slučaju upotrebe tubusa za laringektomiju ili čepa za stomu**, odabrati odgovarajući oblik proizvoda koji neće pritiskati protežu niti zakaćinjati trahealnu prirubnicu proteže tokom ugradnje i zamene tubusa za laringektomiju ili čepa za stomu. U suprotnom, može doći do ozbiljnog oštećenja tkiva i/ili slučajnog gutanja proteže.
- **Naložiti pacijentu da za održavanje proteže koristi isključivo originalan pribor Provox** odgovarajuće veličine (četkicu, irigator i zapušač) i da ne rukuje protežom ni na jedan drugi način.
- **Ponovna upotreba i dorada medicinskog sredstva** može dovesti do unakrsne kontaminacije i oštećenja medicinskog sredstva, što može ugroziti zdravlje pacijenta.

1.5 MERE PREDOSTROŽNOSTI.

- Pre ugradnje ili zamene proteže, pažljivo proceniti stanje pacijenata sa poremećajem krvarenja ili pacijenata na antikoagulantnoj terapiji zbog rizika od krvarenja ili hemoragije
- Pregledati proizvod pre upotrebe. Ne koristiti proizvod ako je pakovanje oštećeno ili otvoreno.

- Uvek primenjivati aseptičnu tehniku prilikom rukovanja protezom kako biste smanjili rizik od infekcije.

2. Uputstvo za upotrebu

2.1 Odaberite odgovarajuću veličinu govorne proteze

Odabir odgovarajućeg prečnika i dužine osovine zamenske proteze

Proverite da li koristite govornu protezu Provox Vega odgovarajućeg prečnika i dužine osovine. Proteza Provox Vega dostupna je u različitim prečnicima i nekoliko dužina.

• Odabir prečnika osovine

Lekar treba da odredi prečnik proteze koji odgovara pacijentu.

Ako je odabrani prečnik veći od prečnika prethodne proteze, otvor se mora proširiti proizvodom Provox Dilator tako da odgovara prečniku proteze koja se ugrađuje.

Ako ubacite protezu manjeg prečnika, pogledajte i proverite da li se otvor smanjio na odgovarajući prečnik.

• Odabir dužine osovine

Kako biste odabrali odgovarajuću dužinu, možete koristiti trenutnu protezu kao instrument za merenje.

Ako je prostor između trahealne prirubnice stare proteze i mukoznog zida preveliki (tj. 3 mm /~0,12 inča ili više), treba koristiti kraću protezu. Ako je proteza previše pribijena uz zid, treba koristiti dužu protezu.

2.2 Priprema

(Slike 3–6)

Namestite govornu protezu na uvodnik

1. Govorna proteza mora biti pravilno postavljena i čvrsto pričvršćena na uvodnik. Vrh uvodnika mora biti uveden skroz do plavog prstena govorne proteze (slika 3).

Savijte krajeve ezofagealne prirubnice

2. Proverite da li se uvodnik nalazi u ispravnom položaju u odnosu na spravu za pregibanje prirubnice (uvodnik mora biti uvučen u spravu za pregibanje prirubnice).
3. Pritisnite spravu za pregibanje prirubnice sa dva prsta (slika 4).
4. Zakačite punilac držeći spravu za pregibanje prirubnice pritisnutu i okrenite ga tako da se zaključa (slika 5).
(Nije primenjivo na ubacivanje sa kapsulom)

Ubacite govornu protezu u punilac

5. Gurajte uvodnik dok se govorna proteza ne poravnava sa vidljivim prstenom na puniocu (slika 6). (Nije primenjivo na ubacivanje sa kapsulom)

Izvadite staru govornu protezu

6. Izvadite trenutnu, odnosno staru protezu iz TE otvora tako što ćete je izvući za hemostat bez zubaca. Drugi način kako je možete izvaditi je da, prema nahođenju lekara, forcepsom uhvatite trahealnu prirubnicu i odsećete je. Ostatak proteze se zatim gurne kroz jednjak kako bi prošao kroz probavni trakt. Pre primene ove metode treba uzeti u obzir da li pacijent ima istoriju probavnih bolesti.

Pripremite otvor (opciono)

7. Otvor možete proširiti kako biste ga pripremili za ubacivanje govorne proteze. To obično nije neophodno, ali može olakšati ubacivanje proteze kod pacijenata sa iskrivljenim ili uskim otvorima koji se lako zatvaraju.

2.3 Ubacivanje i naknadna zamena proteze

Govornu protezu Provox Vega možete da ubacite u otvor pomoću proizvoda Provox Insertion System na četiri načina. Odabir metode je po nahođenju lekara.

- 2.3.1 Ubacivanje celog sistema u otvor: Koristi se ceo sistem za ubacivanje.
- 2.3.2 Ubacivanje punioca u otvor: Pre ubacivanja skida se sprava za pregibanje prirubnice.
- 2.3.3 Ubacivanje tehnikom prebačaja: Cela proteza ubacuje se u jednjak, a zatim se povlači u predviđeni položaj.
- 2.3.4 Ubacivanje sa kapsulom: Pre ubacivanja u otvor govorna proteza se ubacuje u proizvod Provox Capsule.

2.3.1 Metoda br. 1: Ubacivanje celog sistema u otvor

1. Ubacite u TE otvor

Držite Provox Insertion System za punilac. Ubacite vrh punioca u otvor. Pažljivo ga ubacujte ukoliko osetite otpor. Ako postoji otpor, širenjem i/ili lubrikacijom otvora možete olakšati ubacivanje.

2. Ubacite govornu protezu u jednjak

Jednom rukom čvrsto držite punilac, a drugom rukom gurajte uvodnik dok se strelice na distalnom kraju hvatne površine ne poravnaju sa donjom stranom sprave za pregibanje prirubnice (slika 7). U tom trenutku govorna proteza je cela ispravljena u jednjaku.

3. Odvojite govornu protezu

Izvućite zajedno punilac i spravu za pregibanje prirubnice iz otvora. Govorna proteza je i dalje u otvoru, čvrsto zakačena za uvodnik.

4. Završite proceduru

Nakon ubacivanja proteze, završite proceduru na način opisan u odeljku 2.5.

2.3.2 Metoda br. 2: Ubacivanje punioca u otvor

Kako biste bolje videli, spravu za pregibanje prirubnice možete izvaditi kada gurnete protezu u punilac.

Napomena: Kad ubacujete protezu u punilac, morate uvek koristiti Provox Insertion System sa zakačenom spravom za pregibanje prirubnice kako bi se krajevi ezofagealne prirubnice pravilno savili.

1. Izvadite spravu za pregibanje prirubnice

Izvadite spravu za pregibanje prirubnice tako što ćete je otključati i otkaćiti od punioca (slika 8).

2. Ubacite u TE otvor

Držite Provox Insertion System za punilac. Ubacite vrh punioca u otvor. Pažljivo ga ubacujte ukoliko osetite otpor. Ako postoji otpor, širenjem i/ili lubrikacijom otvora možete olakšati ubacivanje.

3. Ubacite govornu protezu u jednjak

Drugom rukom gurajte uvodnik dok se strelice na proksimalnoj hvatnoj površini ne poravnaju sa puniocem (slika 9). U tom trenutku govorna proteza je cela ispravljena u jednjaku.

4. Odvojite govornu protezu

Jednom rukom držite punilac, a drugom rukom uvodnik. Izvlačite zajedno punilac i uvodnik dok ne osetite da je ezofagealna prirubnica došla u kontakt sa anteriornim zidom jednjaka. Zatim otpustite uvodnik i izvucite punilac iz otvora. Na taj način ćete odvojiti trahealnu prirubnicu.

Napomena: Ako se trahealna prirubnica otvori unutar jednjaka ili otvora (ako dođe do slučajnog prebačaja), uhvatite trahealnu prirubnicu za hemostat bez zubaca i izvucite/okrenite govornu protezu na odgovarajuće mesto.

5. Završite proceduru

Nakon ubacivanja proteze, završite proceduru na način opisan u odeljku 2.5.

2.3.3 Metoda br. 3: Ubacivanje tehnikom prebačaja

Prebačaj govorne proteze Provox Vega ponekad se izvršava kako bi se ezofagealna prirubnica u potpunosti otvorila u teško dostupnim TE otvorima.

1. Izvadite spravu za pregibanje prirubnice (opciono)

Kada gurnete protezu u punilac, izvadite spravu za pregibanje prirubnice tako što ćete je otključati i otkaćiti od punioca (slika 8).

2. Ubacite u TE otvor

Držite Provox Insertion System za punilac. Ubacite vrh punioca u otvor. Pažljivo ga ubacujte ukoliko osetite otpor. Ako postoji otpor, širenjem i/ili lubrikacijom otvora možete olakšati ubacivanje.

3. Ubacite govornu protezu u jednjak

Jednom rukom čvrsto držite punilac, a drugom rukom gurajte uvodnik dok ne pređe preko proksimalne hvatne površine (slika 10). U tom trenutku govorna proteza je cela ubačena u jednjak (slika 11).

Ako ste prebačaj izvršili sa postavljenom spravom za pregibanje prirubnice, gurnite uvodnik preko distalne hvatne površine. U tom trenutku govorna proteza je cela ubačena u jednjak (slika 12).

4. Odvojite govornu protezu

Izvucite punilac iz otvora. Proteza je i dalje u jednjaku, čvrsto zakačena za uvodnik. Uхватite trahealnu prirubnicu za hemostat bez zubaca i izvucite/okrenite govornu protezu na odgovarajuće mesto.

5. Završite proceduru

Nakon ubacivanja proteze, završite proceduru na način opisan u odeljku 2.5.

2.3.4 Metoda br. 4: Ubacivanje sa kapsulom

Namena

Kapsula Provox Capsule je dodatak za jednokratnu upotrebu kog lekar koristi za anterogradno umetanje standardne govorne proteze u traheoezofagealni otvor kod osobe kojoj je urađena laringektomija.

Opis medicinskog sredstva

Kapsule Provox Capsule su napravljene od materijala biljnog porekla koji je rastvorljiv u vodi, a dostupne veličine su takve da odgovaraju tri različita prečnika govornih proteza: 17, 20 i 22,5 Fr.

UPOZORENJA

- Pre postavljanja uvek proverite da li je govorna proteza savijena kako treba i da li je pravilno umetnuta u kapsulu Provox Capsule. Ako Provox Capsule spadne pre vremena, može doći do njenog udisanja. Imajte na umu da lubrikanti mogu da ugroze pričvršćivanje kapsule.
- Ne koristite kapsulu Provox Capsule ako postoji sumnja na kontaminaciju.
- Ne koristite kapsulu Provox Capsule ako su pakovanje ili kapsula oštećeni.
- Proverite da li je govorna proteza funkcionalna nakon umetanja u TE otvor. Nakon umetanja, uvek se pridržavajte mera predostrožnosti koje su navedene u uputstvu za upotrebu govornih proteza.

MERE PREDOSTROŽNOSTI

- Ne koristite oštre predmete za umetanje ezofagealne prirubnice u kapsulu Provox Capsule jer bi to moglo da ošteti govornu protezu.
- Koristite isključivo kapsulu Provox Capsule koja je iste veličine ili je za broj veća od prečnika govorne proteze.

Spravu za pregibanje prirubnice proizvoda Provox Insertion System možete koristiti za savijanje krajeva standardne govorne proteze Provox Vega u proizvodu Provox Capsule*. Za ovu proceduru se ne koristi punilac.

1. Ubacite protezu u proizvod Provox Capsule

Odložite dugačak deo kapsule Provox Capsule i koristite kratak deo za umetanje. Pritisnite spravu za pregibanje prirubnice sa dva prsta i postavite kapsulu u otvor

sprave za pregibanje prirubnice (slika 13). Držite spravu za pregibanje prirubnice pritisnutu, a kapsulu pritisnite kažiprstom (slika 14). Umesto toga, upotrebite Provox TwistLock da biste držali spravu za pregibanje prirubnice pritisnutu. Gurnite uvodnik čvrsto ga držeći kako biste ezofagealnu prirubnicu govorne proteze ubacili u kapsulu.

2. Proverite da li je proteza pravilno ubačena u kapsulu

Govorna proteza je ubačena u proizvod Provox Capsule, pa spravu za pregibanje prirubnice možete da skinete sa uvodnika. Potvrdite da se ezofagealna prirubnica nalazi unutar kapsule (slika 15). Ako krajevi govorne proteze nisu pravilno savijeni, postupak ubacivanja treba ponoviti sa novim proizvodom Provox Capsule. Uverite se da je traka govorne proteze pričvršćena za uvodnik koji je predviđen za umetanje proteze u otvor.

3. Izvadite staru govornu protezu i pripremite TE otvor (pogledajte tačke 6 i 7 u odeljku 2.2).

4. Umetnite Provox Capsule u otvor.

Držite govornu protezu u potpuno umetnutom položaju sve dok se kapsula Provox Capsule ne rastvori, a ezofagealna prirubnica ne odviše do kraja. Blago povucite traku govorne proteze kako biste bili sigurni da je dobro nameštena.

5. Odvojite govornu protezu

Izvadite uvodnik iz govorne proteze. Govorna proteza ostaje u otvoru.

6. Završite proceduru

Nakon ubacivanja proteze, završite proceduru na način opisan u odeljku 2.5.

* Dostupno samo u određenim zemljama.

2.4. Nameštanje i ponovno ubacivanje proteze u Provox Insertion System

Ako niste uspeali da ubacite govornu Provox Vega u TE otvor prilikom prvog pokušaja, možete je ponovo ubaciti u proizvod Provox Insertion System.

Nameštite govornu protezu na uvodnik

1. Postavite govornu protezu sa trahealnom stranom okrenutom nadole na vrh uvodnika.
2. Zakačite sigurnosnu traku tako što ćete je provući kroz obe strane pričvršnog otvora.
3. Govorna proteza mora biti pravilno postavljena i čvrsto pričvršćena na uvodnik. Vrh uvodnika mora biti uveden skroz do plavog prstena govorne proteze (slika 3).

Zakačite spravu za pregibanje prirubnice

4. Gurajte uvodnik kroz otvor sprave za pregibanje prirubnice dok se ne zaključa. Gurnite uvodnik tako da se zaključa u spravi za pregibanje prirubnice (slika 16). Provox Insertion System spreman je za pripremu. Nastavite sa pripremanjem na način opisan u odeljku 2.2.

OPREZ: Ne ubacivati protezu u punilac više od dva puta. Ako primetite bilo kakve znake oštećenja govorne proteze Provox Vega, ne koristite je.

2.5 Završite proceduru

Nakon ubacivanja proteze u otvor:

Proverite da li je proteza u ispravnom položaju

1. Proverite da li je govorna proteza u ispravnom položaju tako što ćete je okrenuti i pažljivo povući uvodnik (slika 17). Proteza je u idealnom položaju ukoliko je sigurnosna traka okrenuta nadole.

Proverite da li proteza radi ispravno

2. Provox četkicom iščetkajte govornu protezu Provox Vega. Proverite da li proteza radi ispravno tako što ćete zamoliti pacijenta da nešto kaže i tako što ćete pogledati da li proteza propušta sadržaj dok pacijent pije vodu (slika 18).

Odsecite sigurnosnu traku

3. Kada se uverite da je govorna proteza pravilno postavljena, odsecite sigurnosnu traku tako da bude u ravni sa trahealnom prirubnicom (slika 19). Govorna proteza Provox Vega spremna je za upotrebu.

2.6 Odlaganje na otpad

Uvek poštujujte medicinsku praksu i važeće nacionalne propise u vezi sa biološkim otpadom prilikom odlaganja iskorišćenog medicinskog sredstva na otpad.

3. Važne informacije za pacijenta

3.1 Opšte informacije

Uverite se da je pacijent shvatio da treba da se obrati lekaru u sledećim slučajevima:

- Propuštanje sadržaja kroz protezu ili oko nje (kašalj i/ili promena boje sluznice).
- Otežan govor (veliki napor i/ili napregnut govor).
- Bilo koji znak upale ili promene na tkivu na mestu otvora ili stome (bol, crvenilo, toplota, otekline, tragovi krvi na četkici nakon četkanja).

Obavestite pacijenta o sledećem:

- Nakon zamene proteze, u ispljuvku se mogu pojaviti tragovi krvi. Krv verovatno potiče od granulacionog tkiva na krajevima TE otvora.
- Zapušač Provox Vega Plug može privremeno zaustaviti propuštanje sadržaja kroz govornu protezu.
- Preporučuju se govorne vežbe sa obučanim lekarom kako bi se postigli optimalan zvuk govora, tečnost u govoru i optimalna razumljivost.

3.2 Održavanje proteze

Pokažite pacijentu kako i kada treba da čisti govornu protezu Provox Vega. Čišćenjem proteze najmanje dvaput dnevno može se produžiti njen rok upotrebe.

OPREZ: Za čišćenje proteze koristiti samo originalan pribor Provox namenjen za upotrebu sa protezom Provox Vega.

- Četkanjem proteze Provox četkicom dvaput dnevno sluznica i ostaci hrane mogu se otkloniti iz proteze.
- Ispiranjem proteze irigatorom Provox Flush ostaci hrane i sluznica mogu se otkloniti iz proteze i može se produžiti njen rok upotrebe.
Napomena: Irigator Provox Flush namenjen je samo pacijentima koje je lekar koji je prepisao medicinsko sredstvo procenio da su sposobni da razumeju i da se dosledno pridržavaju uputstva za upotrebu bez nadzora lekara.
- Za određene prehrambene navike, poput dnevnog unosa jogurta ili mlaćenice koji sadrže laktobacile, smatra se da doprinose sprečavanju prekomernog razvoja kandidate.

Više informacija o čišćenju proteze Provox Vega potražite u uputstvu za upotrebu pribora.

4. Dodatne informacije

4.1 Kompatibilnost sa aparatima za magnetnu rezonancu, rendgen i terapiju zračenjem

Govorna proteza Provox Vega ispitana je i dokazano kompatibilna sa aparatima za snimanje magnetnom rezonancom (ispitana za jačinu do 3 Tesle), rendgen ili terapiju zračenjem (ispitana za jačinu do 70 Gy). Proteza se može ostaviti u TE otvoru tokom pregleda/terapije. Imajte u vidu da je radiografski nepropusna valvula vidljiva na aparatu za rendgen.

4.2 Rok upotrebe medicinskog sredstva

Rok upotrebe medicinskog sredstva zavisi od individualnih bioloških okolnosti, zbog čega nije moguće predvideti celovitost medicinskog sredstva na duži period. Na materijal od kojeg je izrađeno medicinsko sredstvo utiču bakterije i gljivice, pa će se njegova strukturna celovitost vremenom narušiti.

Laboratorijskim ispitivanjima simulirane upotrebe u ispitnom periodu od 12 meseci pokazano je da će medicinsko sredstvo sačuvati svoju strukturnu celovitost u tom periodu ukoliko bakterije i gljivice nisu prisutne. Upotreba medicinskog sredstva nije ispitana na period duži od 12 meseci. Upotreba nakon isteka ovog perioda isključiva je odgovornost lekara koji je prepisao medicinsko sredstvo.

4.3 Kompatibilnost sa antigljivičnim lekovima

Laboratorijskim testovima je pokazan samo manji negativan uticaj upotrebe antigljivičnih lekova u nastavku na rad i komponente govorne proteze Provox Vega: nistatin, flukonazol i mikonazol.

5. Prijava incidenata

Imajte u vidu da se svaki ozbiljni incident do kog dođe u vezi sa medicinskim sredstvom prijavljuje proizvođaču i nadležnoj ustanovi u zemlji boravišta korisnika i/ili pacijenta.

ΕΛΛΗΝΙΚΑ

Provox® Vega™

1. Περιγραφικές πληροφορίες

1.1 Προβλεπόμενη χρήση

Η φωνητική πρόθεση Provox Vega είναι μια αποστειρωμένη, μόνιμη φωνητική πρόθεση μίας μόνο χρήσης, η οποία προορίζεται για την αποκατάσταση της φωνητικής λειτουργίας ύστερα από χειρουργική αφαίρεση του λάρυγγα (λαρυγγεκτομή). Ο καθαρισμός της φωνητικής πρόθεσης γίνεται από τον ασθενή, ενώ η πρόθεση παραμένει in situ.

Το Provox Insertion System είναι στείρο ιατροτεχνολογικό προϊόν μίας μόνο χρήσης για την ορθόδρομη αντικατάσταση της φωνητικής πρόθεσης Provox Vega. Η διαδικασία αντικατάστασης γίνεται από ιατρό ή από εκπαιδευμένο επαγγελματία υγείας, σύμφωνα με τις ισχύουσες κατευθυντήριες γραμμές σε τοπικό ή εθνικό επίπεδο.

Το Provox Insertion System δεν προορίζεται για την εισαγωγή φωνητικής πρόθεσης σε περιοχή πρόσφατα διενεργηθείσας παρακέντησης.

1.2 Περιγραφή της συσκευής Γενικά

Η φωνητική πρόθεση Provox Vega είναι μια μονόδρομη βαλβίδα (πρόθεση), η οποία διατηρεί ανοιχτή την τραχειοοισοφαγική παρακέντηση για την παραγωγή ομιλίας, μειώνοντας

παράλληλα τον κίνδυνο εισροής υγρών και τροφών στην τραχεία. Η φωνητική πρόθεση Pronox Vega δεν αποτελεί μόνιμο εμφύτευμα και χρήζει περιοδικής αντικατάστασης. Η πρόθεση (Σχ. 1) διατίθεται σε διάφορες διαμέτρους και σε διάφορα μήκη. Είναι κατασκευασμένη από σιλικόνη ιατρικής χρήσης και φθοριούχο ρητίνη.

Συσκευασία Pronox Vega

Η συσκευασία Pronox Vega περιέχει τα ακόλουθα στοιχεία:

- 1 φωνητική πρόθεση Pronox Vega, προσυναρμολογημένη σε Insertion System (Σύστημα εισαγωγής) για μία μόνο χρήση, αποστειρωμένη (Σχ. 2)
- 1 Pronox Brush (Βούρτσα Pronox) σε αντίστοιχο μέγεθος με τη φωνητική πρόθεση, μη αποστειρωμένη
- 1 εγχειρίδιο ιατρού Pronox Vega
- 1 εγχειρίδιο ασθενούς Pronox Vega
- 1 εγχειρίδιο χρήσης Pronox Brush (Βούρτσα Pronox)

1.3 ΑΝΤΕΝΔΕΙΞΕΙΣ

Δεν υπάρχουν γνωστές αντενδείξεις για τη χρήση ή την αντικατάσταση της φωνητικής πρόθεσης Pronox Vega σε ασθενείς που ήδη χρησιμοποιούν πρόθεση για φωνητική αποκατάσταση.

1.4 ΠΡΟΕΙΔΟΠΟΙΗΣΕΙΣ

- Είναι πιθανή η μετατόπιση ή εξώθηση της φωνητικής πρόθεσης Pronox Vega από την τραχειοισοφαγική παρακέντηση και επακόλουθα η κατάποση ή αναρρόφησή της ή η πρόκληση ιστικής βλάβης. Η παρουσία ξένου σώματος στον αεραγωγό μπορεί να προκαλέσει σοβαρές επιπλοκές, όπως οξεία αναπνευστική δυσχέρεια ή αναπνευστική ανακοπή.
- **Επιλέξτε το κατάλληλο μέγεθος πρόθεσης.** Η στενή εφαρμογή μπορεί να προκαλέσει ιστική νέκρωση και εξώθηση.
- **Συμβουλευστε τον ασθενή να απευθυνθεί αμέσως σε ιατρό,** εάν υπάρχουν σημεία ιστικού οιδήματος ή/και φλεγμονής/λοίμωξης.
- **Συμβουλευστε τον ασθενή να απευθυνθεί αμέσως σε ιατρό,** σε περίπτωση διαρροής διαμέσου ή πέριξ της φωνητικής πρόθεσης. Η διαρροή μπορεί να προκαλέσει πνευμονία από εισρόφιση.
- **Εάν χρησιμοποιούνται σωλήνες λαρυγγεκτομής ή κομβία τραχειοστομίας,** επιλέξτε προϊόντα κατάλληλου σχήματος, ώστε ο σωλήνας λαρυγγεκτομής ή το κομβίο τραχειοστομίας να μην ασκούν πίεση στην πρόθεση ούτε να συλλαμβάνονται στο τραχειακό περύγιο της πρόθεσης κατά την εισαγωγή και την αφαίρεσή τους. Διαφορετικά, μπορεί να προκληθεί σοβαρή ιστική βλάβη ή/και ακούσια κατάποση της πρόθεσης.
- **Ενημερώστε τον ασθενή ότι πρέπει να χρησιμοποιεί μόνο γνήσια παρελκόμενα Pronox** αντίστοιχου μεγέθους (βούρτσα, σύστημα πλύσης, βύσμα) για τη συντήρηση, καθώς και να αποφεύγει κάθε είδους άλλη μεταχείριση.
- **Η επαναχρησιμοποίηση και η επανεπεξεργασία** μπορεί να προκαλέσουν διασταυρούμενη μόλυνση και ζημιά στη συσκευή και να έχουν επιβλαβείς συνέπειες για τον ασθενή.

1.5 ΠΡΟΦΥΛΑΞΕΙΣ

- Αξιολογήστε προσεκτικά τους ασθενείς με αιμορραγικές διαταραχές ή τους ασθενείς που λαμβάνουν αντιπηκτική θεραπεία για κίνδυνο μικρής ή μεγάλης αιμορραγίας, πριν από την τοποθέτηση ή την αντικατάσταση της πρόθεσης.
- Ελέγξτε τη συσκευασία πριν από τη χρήση. Εάν η συσκευασία είναι φθαρμένη ή ανοιγμένη, μη χρησιμοποιήσετε το προϊόν.
- Εφαρμόζετε πάντοτε άσηπτη τεχνική κατά τον χειρισμό της πρόθεσης, για τη μείωση του κινδύνου λοίμωξης.

2. Οδηγίες χρήσης

2.1 Επιλογή μεγέθους φωνητικής πρόθεσης

Επιλογή σωστής διαμέτρου και μήκους άξονα για την πρόθεση αντικατάστασης
Βεβαιωθείτε ότι η φωνητική πρόθεση Pronox Vega που θα χρησιμοποιήσετε έχει τη σωστή διάμετρο και το σωστό μήκος άξονα. Η πρόθεση Pronox Vega διατίθεται σε διάφορες διαμέτρους και σε διάφορα μήκη άξονα.

• **Επιλογή διαμέτρου άξονα**

Ο ιατρός θα πρέπει να προσδιορίσει την κατάλληλη διάμετρο πρόθεσης για τον ασθενή.

Εάν η επιλεγμένη διάμετρος είναι μεγαλύτερη από εκείνη της προηγούμενης πρόθεσης, απαιτείται διαστολή της οδού εισαγωγής με τη χρήση του Pronox Dilator (Διαστολέας Pronox), ανάλογα με τη διάμετρο της εισαγόμενης πρόθεσης.

Εάν εισαχθεί πρόθεση με μικρότερη διάμετρο άξονα, παρακολουθήστε την περιοχή της παρακέντησης για να βεβαιωθείτε ότι συρρικνώνεται στην κατάλληλη διάμετρο.

• **Επιλογή μήκους άξονα**

Για να επιλέξετε το σωστό μήκος, μπορείτε να χρησιμοποιήσετε ως συσκευή μέτρησης την ήδη τοποθετημένη πρόθεση.

Εάν υπάρχει πολύ μεγάλο κενό (δηλαδή 3 mm/~0,12 ίντσες ή μεγαλύτερο) ανάμεσα στο τραχειακό περύγιο της παλαιάς πρόθεσης και της βλεννογόνου, θα πρέπει να χρησιμοποιηθεί πρόθεση μικρότερου μήκους. Εάν η πρόθεση εφαρμόζει πολύ σφικτά, θα πρέπει να χρησιμοποιηθεί πρόθεση μεγαλύτερου μήκους.

2.2 Προετοιμασία

(Σχ. 3–6)

Τοποθέτηση της φωνητικής πρόθεσης

1. Βεβαιωθείτε ότι η φωνητική πρόθεση είναι σωστά τοποθετημένη στο στέλεχος εισαγωγής και καλά συνδεδεμένη, και ότι το άκρο του στελέχους έχει εισαχθεί εντελώς μέχρι τον μπλε δακτύλιο της φωνητικής πρόθεσης (Σχ. 3).

Αναδίπλωση του οισοφαγικού πτερυγίου

2. Βεβαιωθείτε ότι το στέλεχος εισαγωγής είναι σωστά τοποθετημένο στο εργαλείο αναδίπλωσης (το στέλεχος πρέπει να κουμπώσει μέσα στο εργαλείο αναδίπλωσης).
3. Με τα δύο δάχτυλά σας, πιέστε το εργαλείο αναδίπλωσης προς τα μέσα (Σχ. 4).
4. Συνδέστε τον σωλήνα τοποθέτησης ενώ κρατάτε κλειστό το εργαλείο αναδίπλωσης και στρέψτε τον σωλήνα τοποθέτησης, μέχρι να ασφαλίσει στη θέση του (Σχ. 5). (Δεν ισχύει για την εισαγωγή με τη χρήση κάψουλας).

Τοποθέτηση

5. Πιέστε το στέλεχος εισαγωγής προς τα εμπρός, μέχρι η φωνητική πρόθεση να ευθυγραμμιστεί με τον ορατό δακτύλιο επί του σωλήνα τοποθέτησης (Σχ. 6). (Δεν ισχύει για την εισαγωγή με τη χρήση κάψουλας).

Αφαίρεση παλαιάς φωνητικής πρόθεσης

6. Αφαιρέστε την τρέχουσα (παλαιά) πρόθεση από την τραχειοοισοφαγική παρακέντηση, τραβώντας την προς τα έξω με μια αιμοστατική λαβίδα χωρίς δόντια. Εναλλακτικά, κατά τη διακριτική ευχέρεια του ιατρού, μπορείτε να πιάσετε το τραχειακό πτερύγιο της πρόθεσης με μια λαβίδα και να το κόψετε. Το υπόλοιπο τμήμα της πρόθεσης ωθείται εν συνεχεία εντός του οισοφάγου για διέλευση από τον εντερικό σωλήνα. Προτού χρησιμοποιηθεί αυτή η μέθοδος, θα πρέπει να εξεταστεί το ιστορικό του ασθενούς για εντερικές παθήσεις.

Προετοιμασία της περιοχής παρακέντησης (προαιρετικά)

7. Η περιοχή παρακέντησης μπορεί να διασταλεί στο πλαίσιο της προετοιμασίας για την εισαγωγή της φωνητικής πρόθεσης. Αυτό δεν είναι συνήθως απαραίτητο, αλλά μπορεί να διευκολύνει την εισαγωγή όταν η περιοχή παρακέντησης του ασθενούς σχηματίζει γωνία ή είναι σφιχτή, με τάση για εύκολη σύμπτυξη.

2.3 Διαδικασία εισαγωγής και ορθόδρομης αντικατάστασης

Για την εισαγωγή μιας φωνητικής πρόθεσης Pronox Vega με το Pronox Insertion System μπορούν να χρησιμοποιηθούν τέσσερις μέθοδοι. Η επιλογή της μεθόδου εναπόκειται στη διακριτική ευχέρεια του ιατρού.

- 2.3.1 Εισαγωγή με σύστημα: Χρησιμοποιείται ολόκληρο το σύστημα εισαγωγής.
- 2.3.2 Εισαγωγή με σωλήνα: Το εργαλείο αναδίπλωσης απομακρύνεται πριν από την εισαγωγή.
- 2.3.3 Εισαγωγή με την τεχνική της υπέρβασης (overshoot): Ολόκληρη η φωνητική πρόθεση προωθείται εντός του οισοφάγου και κατόπιν αποσύρεται στην επιδιωκόμενη θέση.
- 2.3.4 Εισαγωγή με κάψουλα: Η φωνητική πρόθεση τοποθετείται σε Pronox Capsule πριν από την εισαγωγή.

2.3.1 Μέθοδος 1: Εισαγωγή με σύστημα

1. **Είσοδος στην τραχειοοισοφαγική παρακέντηση**
Κρατήστε το Pronox Insertion System από τον σωλήνα τοποθέτησης. Εισέλθετε στην περιοχή της παρακέντησης με το άκρο του σωλήνα τοποθέτησης. Προχωρήστε με προσοχή, εάν συναντήσετε αντίσταση. Σε περίπτωση αντίστασης, η εισαγωγή μπορεί να διευκολυνθεί με διαστολή ή/και λίπανση.
2. **Εισαγωγή της φωνητικής πρόθεσης**
Κρατήστε τον σωλήνα τοποθέτησης σταθερό με το ένα χέρι και ωθήστε το στέλεχος εισαγωγής με το άλλο χέρι, μέχρι τα βέλη στην επιφάνεια της περιφερικής λαβής να ευθυγραμμιστούν με το κάτω άκρο του εργαλείου αναδίπλωσης (Σχ. 7). Στο σημείο αυτό, το οισοφαγικό πτερύγιο της φωνητικής πρόθεσης έχει εκπτυχθεί πλήρως εντός του οισοφάγου.
3. **Αποδέσμευση της φωνητικής πρόθεσης**
Τραβήξτε ευθεία προς τα έξω τον σωλήνα τοποθέτησης και το εργαλείο αναδίπλωσης μαζί και αφαιρέστε τα από την περιοχή της παρακέντησης. Η φωνητική πρόθεση παραμένει εντός της παρακέντησης και εξακολουθεί να είναι προσαρτημένη γερά στο στέλεχος εισαγωγής.
4. **Ολοκλήρωση της διαδικασίας**
Μετά την εισαγωγή, ολοκληρώστε τη διαδικασία όπως περιγράφεται στην ενότητα 2.5 παρακάτω.

2.3.2 Μέθοδος 2: Εισαγωγή με σωλήνα

Για καλύτερη ορατότητα, το εργαλείο αναδίπλωσης μπορεί να αφαιρεθεί μετά την ώθηση της πρόθεσης εντός του σωλήνα τοποθέτησης.

Σημείωση: Το Pronox Insertion System είναι σημαντικό να χρησιμοποιείται πάντοτε με προσαρτημένο το εργαλείο αναδίπλωσης κατά την τοποθέτηση της πρόθεσης, ώστε να διασφαλίζεται η ενδεδειγμένη αναδίπλωση του οισοφαγικού πτερυγίου.

1. Αφαίρεση του εργαλείου αναδίπλωσης

Αφαιρέστε το εργαλείο αναδίπλωσης απασφαλίζοντας και αποσυνδέοντάς το από τον σωλήνα τοποθέτησης (Σχ. 8).

2. **Είσοδος στην τραχειοοισοφαγική παρακέντηση**
Κρατήστε το Pronox Insertion System από τον σωλήνα τοποθέτησης. Εισέλθετε στην περιοχή της παρακέντησης με το άκρο του σωλήνα τοποθέτησης. Προχωρήστε με προσοχή, εάν συναντήσετε αντίσταση. Σε περίπτωση αντίστασης, η εισαγωγή μπορεί να διευκολυνθεί με διαστολή ή/και λίπανση.
3. **Εισαγωγή της φωνητικής πρόθεσης**
Ωθήστε το στέλεχος εισαγωγής με το άλλο χέρι, μέχρι τα βέλη στην επιφάνεια της εγγύς λαβής να ευθυγραμμιστούν με τον σωλήνα τοποθέτησης (Σχ. 9). Στο σημείο αυτό, το οισοφαγικό πτερύγιο της φωνητικής πρόθεσης έχει εκπτυχθεί πλήρως εντός του οισοφάγου.
4. **Αποδέσμευση της φωνητικής πρόθεσης**
Κρατήστε τον σωλήνα τοποθέτησης με το ένα χέρι και το στέλεχος εισαγωγής με το άλλο χέρι. Τραβήξτε προς τα πίσω τον σωλήνα τοποθέτησης και το στέλεχος εισαγωγής μαζί, έως ότου αισθανθείτε ότι το οισοφαγικό πτερύγιο έχει φτάσει στο πρόσθιο τοίχωμα του οισοφάγου. Στη συνέχεια, αφήστε το στέλεχος εισαγωγής και τραβήξτε τον σωλήνα τοποθέτησης ευθεία προς τα έξω από την παρακέντηση. Αυτό θα έχει ως αποτέλεσμα την αποδέσμευση του τραχειακού πτερυγίου.
Σημείωση: Εάν το τραχειακό πτερύγιο εκπτυχθεί εντός του οισοφάγου ή της παρακέντησης (με ακούσιο overshoot), πιάστε το τραχειακό πτερύγιο με μια αιμοστατική λαβίδα χωρίς δόντια και τραβήξτε/περιστρέψτε τη φωνητική πρόθεση, ώστε να εισαχθεί στη σωστή θέση.
5. **Ολοκλήρωση της διαδικασίας**
Μετά την εισαγωγή, ολοκληρώστε τη διαδικασία όπως περιγράφεται στην ενότητα 2.5 παρακάτω

2.3.3 Μέθοδος 3: Εισαγωγή με την τεχνική της υπέρβασης (overshoot)

Περιστασιακά εφαρμόζεται η τεχνική της υπέρβασης (overshoot) για την εισαγωγή της φωνητικής πρόθεσης Pronox Vega, προκειμένου να διασφαλιστεί η πλήρης ανάπτυξη του οισοφαγικού πτερυγίου σε δύσκολες τραχειοοισοφαγικές παρακεντήσεις.

1. **Αφαίρεση του εργαλείου αναδίπλωσης (προαιρετικά)**
Μετά την ώθηση της πρόθεσης εντός του σωλήνα τοποθέτησης, μπορείτε να αφαιρέσετε το εργαλείο αναδίπλωσης, απασφαλίζοντας και αποσυνδέοντάς το από τον σωλήνα τοποθέτησης (Σχ. 8).
2. **Είσοδος στην τραχειοοισοφαγική παρακέντηση**
Κρατήστε το Pronox Insertion System από τον σωλήνα τοποθέτησης. Εισέλθετε στην περιοχή της παρακέντησης με το άκρο του σωλήνα τοποθέτησης. Προχωρήστε με προσοχή, εάν συναντήσετε αντίσταση. Σε περίπτωση αντίστασης, η εισαγωγή μπορεί να διευκολυνθεί με διαστολή ή/και λίπανση.
3. **Εισαγωγή της φωνητικής πρόθεσης**
Κρατήστε τον σωλήνα τοποθέτησης σταθερό με το ένα χέρι και ωθήστε το στέλεχος εισαγωγής με το άλλο χέρι μέχρι να βρεθεί πέρα από την επιφάνεια της εγγύς λαβής (Σχ. 10). Στο σημείο αυτό, η φωνητική πρόθεση έχει εκπτυχθεί πλήρως εντός του οισοφάγου (Σχ. 11).
Εάν γίνει εισαγωγή με τεχνική overshoot ενώ το εργαλείο αναδίπλωσης παραμένει προσαρτημένο, ωθήστε το στέλεχος εισαγωγής πέρα από την επιφάνεια της άπω λαβής. Στο σημείο αυτό, η φωνητική πρόθεση έχει εκπτυχθεί πλήρως εντός του οισοφάγου (Σχ. 12).
4. **Αποδέσμευση της φωνητικής πρόθεσης**
Τραβήξτε ευθεία προς τα έξω τον σωλήνα τοποθέτησης και αφαιρέστε τον από την περιοχή της παρακέντησης. Η πρόθεση παραμένει εντός του οισοφάγου και εξακολουθεί να είναι προσαρτημένη γερά στο στέλεχος εισαγωγής. Πιάστε το τραχειακό πτερύγιο με μια αιμοστατική λαβίδα χωρίς δόντια και τραβήξτε/περιστρέψτε τη φωνητική πρόθεση, ώστε να εισαχθεί στη σωστή θέση.
5. **Ολοκλήρωση της διαδικασίας**
Μετά την εισαγωγή, ολοκληρώστε τη διαδικασία όπως περιγράφεται στην ενότητα 2.5 παρακάτω

2.3.4 Μέθοδος 4: Εισαγωγή με κάψουλα

Προβλεπόμενη χρήση

Το Pronox Capsule είναι ένα εξάρτημα μίας χρήσης για την ορθόδρομη εισαγωγή από τον ιατρό μιας τυπικής φωνητικής πρόθεσης στην τραχειοοισοφαγική παρακέντηση ενός ασθενούς που έχει υποβληθεί σε λαρυγγεκτομή.

Περιγραφή της συσκευής

Οι κάψουλες Pronox Capsule είναι κατασκευασμένες από ένα υδατοδιαλυτό υλικό φυτικής προέλευσης και διατίθενται σε τρία μεγέθη για τρεις διαφορετικές διαμέτρους φωνητικών προθέσεων: 17, 20 και 22,5 Fr.

ΠΡΟΕΙΔΟΠΟΙΗΣΕΙΣ

- Να διασφαλίσετε πάντα ότι η φωνητική πρόθεση είναι σωστά διπλωμένη και ότι έχει τοποθετηθεί ορθά μέσα στο Pronox Capsule πριν από την εισαγωγή. Εάν το Pronox Capsule αποσυνδεθεί νωρίτερα από ό,τι πρέπει, υπάρχει κίνδυνος αναρρόφησης του. Σημειώστε ότι η χρήση λιπαντικών μπορεί να δυσχεράνει την προσάρτηση της κάψουλας.
- Μην χρησιμοποιείτε το Pronox Capsule εάν υπάρχει υποψία επιμόλυνσης.
- Μην χρησιμοποιείτε το Pronox Capsule εάν η συσκευασία ή η κάψουλα φαίνεται να έχει υποστεί ζημιά.
- Βεβαιωθείτε ότι η φωνητική πρόθεση είναι λειτουργική μετά την εισαγωγή στην τραχειοοισοφαγική παρακέντηση. Να τηρείτε πάντα τις προφυλάξεις ασφαλείας που ορίζονται στις οδηγίες χρήσης της φωνητικής πρόθεσης μετά την εισαγωγή.

ΠΡΟΦΥΛΑΞΕΙΣ

- Μην χρησιμοποιείτε αιχμηρά αντικείμενα για να εισαγάγετε το οισοφαγικό πτερύγιο μέσα στο Pronox Capsule, καθώς κάτι τέτοιο μπορεί να προκαλέσει ζημιά στη φωνητική πρόθεση.

- Να χρησιμοποιείτε μόνο κάψουλες Pronox Capsule που να έχουν ίδιο μέγεθος ή να είναι ένα μέγεθος μεγαλύτερες από τη διάμετρο της φωνητικής πρόθεσης.

Το εργαλείο αναδίπλωσης του Pronox Insertion System μπορεί να χρησιμοποιηθεί για την αναδίπλωση του οισοφαγικού πτερυγίου μιας τυπικής φωνητικής πρόθεσης Pronox Vega ώστε να τοποθετηθεί μέσα σε Pronox Capsule*. Στη διαδικασία αυτή δεν χρησιμοποιείται ο σωλήνας τοποθέτησης.

1. Εισαγωγή της πρόθεσης στο Pronox Capsule

Απορρίψτε το μακρύ τμήμα του Pronox Capsule και χρησιμοποιήστε το κοντό τμήμα για την εισαγωγή. Με τα δύο δάχτυλά σας, πιέστε το εργαλείο αναδίπλωσης προς τα μέσα και τοποθετήστε την κάψουλα στο άνοιγμα του εργαλείου αναδίπλωσης (Σχ. 13). Κρατήστε κλεισμένο το εργαλείο αναδίπλωσης ενώ πιέζετε προς τα κάτω την κάψουλα με τον δείκτη σας (Σχ. 14). Εναλλακτικά, χρησιμοποιήστε το Pronox TwistLock για να κρατήσετε κλεισμένο το εργαλείο αναδίπλωσης. Ωθήστε το στέλεχος εισαγωγής σταθερά προς τα εμπρός. Αυτό θα έχει ως αποτέλεσμα την τοποθέτηση του οισοφαγικού πτερυγίου της φωνητικής πρόθεσης εντός της κάψουλας.

2. Έλεγχος ορθής τοποθέτησης

Η φωνητική πρόθεση βρίσκεται πλέον εντός του Pronox Capsule και το εργαλείο αναδίπλωσης μπορεί να αφαιρεθεί από το στέλεχος εισαγωγής. Επιβεβαιώστε ότι το οισοφαγικό πτερύγιο βρίσκεται εντός της κάψουλας (Σχ. 15). Εάν η φωνητική πρόθεση δεν έχει αναδιπλωθεί σωστά, η διαδικασία τοποθέτησης θα πρέπει να επαναληφθεί με νέο Pronox Capsule. Βεβαιωθείτε ότι ο μάντας της φωνητικής πρόθεσης είναι ασφαλισμένος στον άξονα του εργαλείου εισαγωγής που προορίζεται για την εισαγωγή της πρόθεσης στην παρακέντηση.

3. Αφαιρέστε την παλιά φωνητική πρόθεση και προετοιμάστε την τραχειοοισοφαγική παρακέντηση (ανατρέξτε στην Ενότητα 2.2, σημεία 6 και 7).

4. Εισαγάγετε το Pronox Capsule μέσα στην παρακέντηση.

Κρατήστε την φωνητική πρόθεση σε πλήρως εισηγμένη θέση μέχρι να διαλυθεί το Pronox Capsule και να ξεδιπλώσει πλήρως το οισοφαγικό πτερύγιο. Τραβήξτε απαλά τον μάντα της φωνητικής πρόθεσης για να βεβαιωθείτε ότι βρίσκεται στη σωστή θέση.

5. Αποδέσμευση της φωνητικής πρόθεσης

Αφαιρέστε τον άξονα του εργαλείου εισαγωγής από τη φωνητική πρόθεση. Η φωνητική πρόθεση παραμένει μέσα στην παρακέντηση.

6. Ολοκλήρωση της διαδικασίας

Μετά την εισαγωγή, ολοκληρώστε τη διαδικασία όπως περιγράφεται στην ενότητα 2.5 παρακάτω

* Μη διαθέσιμο σε όλες τις χώρες.

2.4 Συναρμολόγηση και επανατοποθέτηση του Pronox Insertion System

Εάν η πρώτη απόπειρα εισαγωγής της πρόθεσης Pronox Vega στην τραχειοοισοφαγική παρακέντηση είναι ανεπιτυχής, είναι δυνατή η επανατοποθέτηση της φωνητικής πρόθεσης εντός του Pronox Insertion System.

Τοποθέτηση της φωνητικής πρόθεσης

1. Τοποθετήστε τη φωνητική πρόθεση πάνω από το στέλεχος εισαγωγής, με την τραχειακή πλευρά στραμμένη προς τα κάτω.
2. Συνδέστε το κορδόνι ασφαλείας, περνώντας το μέσα από τη σχισμή σύνδεσης από οποιαδήποτε πλευρά.
3. Βεβαιωθείτε ότι η φωνητική πρόθεση είναι σωστά τοποθετημένη στο στέλεχος εισαγωγής και καλά συνδεδεμένη και ότι το άκρο του στελέχους έχει εισαχθεί εντελώς μέχρι τον μπλε δακτύλιο της φωνητικής πρόθεσης (Σχ. 3).

Σύνδεση του εργαλείου αναδίπλωσης

4. Περάστε το στέλεχος εισαγωγής μέσα από το άνοιγμα του εργαλείου αναδίπλωσης, μέχρι να ασφαλίσει στη θέση του. Τραβήξτε το στέλεχος μέχρι να κουμπώσει μέσα στο εργαλείο αναδίπλωσης (Σχ. 16). Τώρα μπορείτε να ξεκινήσετε την προετοιμασία του Pronox Insertion System. Συνεχίστε την προετοιμασία όπως περιγράφεται στην ενότητα 2.2 παραπάνω.

ΠΡΟΣΟΧΗ: Μην επιχειρήσετε επανατοποθέτηση πάνω από δύο φορές. Εάν η φωνητική πρόθεση Pronox Vega εμφανίζει οποιαδήποτε σημάδια φθοράς, μη χρησιμοποιήσετε τη φωνητική πρόθεση.

2.5 Ολοκλήρωση της διαδικασίας

Μετά την εισαγωγή:

Διασφάλιση της ορθής εφαρμογής

1. Βεβαιωθείτε ότι η φωνητική πρόθεση βρίσκεται στη σωστή θέση, περιστρέφοντας και τραβώντας ελαφρώς το στέλεχος εισαγωγής (Σχ. 17). Η πρόθεση βρίσκεται σε ιδανική θέση, όταν το κορδόνι ασφαλείας έχει φορά προς τα κάτω.

Έλεγχος ορθής λειτουργίας

2. Βουρτσίστε την πρόθεση Pronox Vega με τη βούρτσα Pronox. Ελέγξτε τη σωστή λειτουργία της πρόθεσης ζητώντας από τον ασθενή να μιλήσει και παρατηρώντας την πρόθεση ενώ ο ασθενής πίνει νερό, διασφαλίζοντας την απουσία διαρροής (Σχ. 18).

Κόψιμο του κορδονιού ασφαλείας

3. Αφού επιβεβαιωθεί η σωστή τοποθέτηση της φωνητικής πρόθεσης, κόψτε το κορδόνι ασφαλείας ώστε να ευθυγραμμίζεται με το τραχειακό πτερύγιο (Σχ. 19). Η φωνητική πρόθεση Pronox Vega είναι έτοιμη για χρήση.

2.6 Απόρριψη

Να ακολουθείτε πάντοτε τις κατάλληλες ιατρικές πρακτικές και τις εθνικές απαιτήσεις περί βιολογικών κινδύνων όταν απορρίπτετε χρησιμοποιημένες ιατρικές συσκευές.

3. Σημαντικές πληροφορίες για τους ασθενείς

3.1 Γενικές πληροφορίες

Βεβαιωθείτε ότι ο ασθενής έχει κατανοήσει την ανάγκη επικοινωνίας με τον ιατρό στις ακόλουθες περιπτώσεις:

- Εάν παρουσιαστεί διαρροή διαμέσου ή πέριξ της πρόθεσης (βήχας ή/και βλέννες διαφορετικού χρώματος).
- Εάν παρουσιαστεί δυσκολία στην ομιλία (καταβολή μεγαλύτερης προσπάθειας ή/και πιο καταπονημένη φωνή).
- Εάν υπάρχουν σημεία φλεγμονής ή ιστικές αλλοιώσεις στην περιοχή της τραχειοοισοφαγικής παρακέντησης ή της τραχειοστομίας (πόνος, ερυθρότητα, καύσος, οίδημα, ίχνη αίματος στη βούρτσα μετά το βούρτσισμα).

Ενημερώστε επίσης τον ασθενή για τα εξής:

- Μετά την τοποθέτηση μιας πρόθεσης μπορεί να παρατηρηθούν ίχνη αίματος στα πύελα. Αυτό μπορεί να οφείλεται σε κοκκώδη ιστό στις παρυφές της τραχειοοισοφαγικής παρακέντησης.
- Για την προσωρινή διακοπή της διαρροής διαμέσου της φωνητικής πρόθεσης μπορεί να χρησιμοποιηθεί το προϊόν Pronox Vega Plug.
- Συνιστάται η πραγματοποίηση εκπαιδευτικών συνεδριών ομιλίας με εκπαιδευμένο κλινικό ιατρό, για την επίτευξη του βέλτιστου φωνητικού ήχου, ευχέρειας ομιλίας και της μεγαλύτερης δυνατής ευκολίας κατανόησης.

3.2 Συντήρηση της πρόθεσης

Ενημερώστε τον ασθενή σχετικά με τη συχνότητα και τον τρόπο καθαρισμού της φωνητικής πρόθεσης Pronox Vega. Ο καθαρισμός της πρόθεσης τουλάχιστον δύο φορές την ημέρα μπορεί να συμβάλει στην παράταση της διάρκειας ζωής της.

ΠΡΟΣΟΧΗ: Κατά τον καθαρισμό της πρόθεσης, χρησιμοποιείτε μόνο γνήσια εξαρτήματα Pronox που προορίζονται για χρήση με την πρόθεση Pronox Vega.

- Το βούρτσισμα της πρόθεσης με τη βούρτσα Pronox δύο φορές την ημέρα συμβάλλει στην απομάκρυνση των βλεννών και των υπολειμμάτων τροφών από την πρόθεση.
- Η έκπλυση της πρόθεσης με το προϊόν Pronox Flush συμβάλλει επίσης στην απομάκρυνση των υπολειμμάτων και των βλεννών από την πρόθεση και μπορεί να αυξήσει τη διάρκεια ζωής της.
Σημείωση: Το προϊόν Pronox Flush προορίζεται για χρήση μόνο από ασθενείς οι οποίοι, σύμφωνα με την εκτίμηση του ιατρού που συνταγογραφεί τη συσκευή, έχουν δείξει ικανότητα κατανόησης και συνεπούς τήρησης των οδηγιών χρήσης χωρίς την επίβλεψη ιατρού.
- Ορισμένα διατροφικά μέτρα, π.χ. η καθημερινή πρόσληψη γιαουρτιού ή βουτυρογάλακτος με γαλακτοβάκιλλους, θεωρούνται χρήσιμα έναντι της υπερβολικής ανάπτυξης μυκήτων Candida.

Για αναλυτικές πληροφορίες σχετικά με τον τρόπο καθαρισμού της πρόθεσης Pronox Vega, δείτε τις οδηγίες κάθε παρελκομένου.

4. Πρόσθετες πληροφορίες

4.1 Συμβατότητα με μαγνητική τομογραφία, ακτινογραφία και ακτινοθεραπεία

Οι φωνητικές προθέσεις Pronox Vega έχουν υποβληθεί σε δοκιμές και έχει διαπιστωθεί ότι είναι συμβατές για χρήση σε μαγνητική τομογραφία (έχουν δοκιμαστεί για έως 3 Tesla), καθώς και για χρήση κατά τη διάρκεια ακτινογραφίας και ακτινοθεραπείας (έχουν δοκιμαστεί για έως 70 Gy). Η πρόθεση μπορεί να παραμείνει εντός της τραχειοοισοφαγικής παρακέντησης κατά τη διάρκεια της συνεδρίας εξέτασης/θεραπείας. Επισημαίνεται ότι η ακτινοσκοπική έδρα της βαλβίδας είναι ορατή στην ακτινογραφία.

4.2 Διάρκεια ζωής της συσκευής

Η διάρκεια ζωής της συσκευής ποικίλει ανάλογα με τις εκάστοτε βιολογικές συνθήκες και, επομένως, δεν είναι δυνατή η πρόβλεψη της ακεραιότητας της συσκευής μακροπρόθεσμα. Το υλικό της συσκευής επηρεάζεται από την παρουσία, για παράδειγμα, βακτηρίων και ζυμομυκήτων, και η δομική ακεραιότητα της συσκευής τελικά φθίνει.

Σύμφωνα με εργαστηριακές δοκιμές προσομοίωσης χρήσης για περίοδο 12 μηνών, ελλείψει βακτηρίων και ζυμομυκήτων, η συσκευή διατηρεί τη δομική ακεραιότητά της για τη συγκεκριμένη χρονική περίοδο. Η συσκευή δεν έχει ελεγχθεί για χρήση πέραν των 12 μηνών. Η χρήση πέρα από αυτό το όριο εναπόκειται αποκλειστικά στην κρίση του συνταγογράφοντος ιατρού.

4.3 Συμβατότητα με αντιμυκητιασικά φάρμακα

Σύμφωνα με εργαστηριακές δοκιμές, υπάρχει ελάχιστη μόνο αρνητική επίδραση στη λειτουργία της φωνητικής πρόθεσης Pronox Vega και των εξαρτημάτων της κατά τη χρήση των ακόλουθων αντιμυκητιασικών φαρμάκων: νυστατίνη, φλουκοναζόλη και μικοναζόλη.

5. Αναφορά

Επισημαίνεται ότι οποιοδήποτε σοβαρό συμβάν που έχει προκύψει σε σχέση με τη συσκευή πρέπει να αναφέρεται στον κατασκευαστή και την εθνική αρχή της χώρας στην οποία διαμένει ο χρήστης ή/και ο ασθενής.

TÜRKÇE

Provox® Vega™

1. Tanımlayıcı bilgi

1.1 Kullanım amacı

Provox Vega Ses Protezi larinksin cerrahi olarak çıkarılmasından (larenjektomi) sonra ses rehabilitasyonuna yönelik tek kullanımlık steril kalıcı bir ses protezidir. Ses protezinin temizliği yerinde kaldığı sırada hasta tarafından yapılır.

Provox Insertion System, Provox Vega Ses Protezinin anterograd değişimine yönelik tek kullanımlık steril bir cihazdır. Bu değiştirme prosedürü yerel veya ulusal kılavuz ilkelere göre bir tıp doktoru veya eğitimli bir tıp uzmanı tarafından gerçekleştirilir.

Provox Insertion System bir ses protezinin yeni yapılmış bir ponksiyona yerleştirilmesinde kullanıma yönelik değildir.

1.2 Cihazın tanımı

Genel

Provox Vega, bir TE-ponksiyonunu konuşma amacıyla açık tutarken, trakeye sıvı ve gıda girişi riskini azaltan tek yönlü bir valftir (protez). Provox Vega ses protezi, kalıcı bir implant değildir ve periyodik olarak değiştirilmesi gerekir. Protez (Şekil 1) farklı çaplarda ve birçok uzunlukta temin edilebilmektedir. Cihaz, tıbbi sınıf silikon kauçuk ve floroplastikten yapılmıştır.

Provox Vega ambalajı

Provox Vega ambalajı aşağıdakileri içerir:

- 1 adet Provox Vega ses protezi, tek kullanımlık Insertion System ile birlikte önceden hazırlanmış olarak, steril (Şekil 2)
- 1 adet ses protezinin boyutuna karşılık gelen Provox Brush, steril olmayan
- 1 adet Provox Vega Klinisyen el kitabı
- 1 adet Provox Vega Hasta el kitabı
- 1 adet Provox Brush Kullanım Talimatları

1.3 KONTRENDİKASYONLAR

Prostetik ses rehabilitasyonu kullanan hastalar arasında Provox Vega ses protezi kullanımı veya değiştirilmesi ile ilgili bilinen herhangi bir kontrendikasyon yoktur.

1.4 UYARILAR

- **Provox Vega ses protezinin TE ponksiyonundaki yerinden oynaması veya çıkması** ve ardından yutulması, aspirasyonu veya doku hasarı gerçekleşebilir. Solunum yolundaki bir yabancı cisim akut solunum distresi ve/veya solunum durması gibi ciddi komplikasyonlara yol açabilir.
- **Uygun protez boyutunu seçin.** Fazla sıkı olması doku nekrozuna ve ekstrüzyona neden olabilir.
- Herhangi bir ödem ve/veya enflamasyon/enfeksiyon bulgusu varsa **hastaya hemen doktora başvurmasını** söyleyin.
- Hastaya, ses protezinde veya protezin etrafında sızıntı olması halinde **doktora başvurmasını söyleyin.** Sızıntı, aspirasyon pnömonisine neden olabilir.
- Kullanılıyorsa, proteze basınç uygulamayan ya da larenjektomi tüpü veya stoma düğmesinin yerleştirilmesi ya da çıkarılması sırasında trakeal flanşa takılmayan **uygun boyutlu larenjektomi tüpleri ya da stoma düğmeleri** seçin. Bu ağır doku hasarına ve/veya protezin kazara yutulmasına neden olabilir.
- Hastayı, bakım için ve diğer tüm manipülasyon türlerinden kaçınmak amacıyla, **yalnızca uygun boyutta orijinal Provox aksesuarlar** (Brush, Flush, Plug) kullanması konusunda bilgilendirin.
- **Tekrar kullanma veya tekrar işleme koyma** hastaya zarar verebilecek şekilde cihazda hasara ve çapraz kontaminasyona neden olabilir.

1.5 ÖNLEMLER.

- Protez yerleştirme ya da değiştirme öncesinde kanama bozuklukları olan hastaları veya antikoagülan tedavi alan hastaları kanama veya hemoraji riski açısından dikkatle değerlendirin.
- Kullanmadan önce ambalajı inceleyin. Ambalaj hasarlı veya açılmışsa, ürünü kullanmayın.
- Enfeksiyon riskini azaltmak için protez ile çalışırken her zaman aseptik tekniği kullanın.

2. Kullanım talimatı

2.1 Ses protezinin boyutunu seçin

Değiştirme protezi için doğru boyun ve shaft çapının seçilmesi

Uygun shaft çapına ve boya sahip bir Provox Vega ses protezi kullandığınızdan emin olun. Provox Vega çeşitli shaft çapları ve farklı boylarda temin edilebilir.

• Shaft çapının seçilmesi

Klinisyenin hastaya uygun protez için doğru protez çapını belirlemesi gerekir.

Seçilen çap bir önceki protezden büyükse, traktın yerleştirilen protez çapına uygun olarak Provox Dilator kullanılarak genişletilmesi gerekir.

Eğer daha küçük shaft çaplı bir protez takılacaksa, ponksiyonun uygun çapta küçülmüş olduğu gözlenmeli ve iyice kontrol edilmelidir.

• Shaft uzunluğunun seçilmesi

Doğru uzunluğu seçmek için, mevcut protezi ölçüm cihazı olarak kullanabilirsiniz.

Eski protezin Trakeal Flanşı ve mukoza duvarı arasında çok fazla (örneğin 3 mm/~0,12 inç ya da fazla) boşluk varsa, daha kısa bir protez kullanılmalıdır. Protez aşırı sıkı duruyorsa, daha uzun bir protez kullanılmalıdır.

2.2 Hazırlık

(Şekil 3-6)

Ses protezini konumlandırma

1. Ses Protezinin Yerleştirme Pimi üzerinde doğru konumlanıp sıkıca bağlandığından ve pim ucunun ses protezinin mavi halkasının içine doğru iyice yerleştirilmiş olduğundan emin olun (Şekil 3).

Özofagus flanşını katlama

2. Yerleştirme Piminin Katlama Aracına göre doğru konumda olduğunu (Pim, Katlama Aracının içine oturacaktır) doğrulayın.
3. Katlama Aracını iki parmak ile sıkın (Şekil 4).
4. Katlama Aracını kapalı olarak tutarken Yükleme Tüpünü takın ve Yükleme Tüpünü yerine oturuncaya kadar çevirin (Şekil 5). (Kapsül Yerleştirme için uygulanamaz)

Yükleme

5. Yerleştirme Pimini ses protezi Yükleme Tüpü üzerindeki görünen halka ile hizalanana kadar ileri doğru itin (Şekil 6) (Kapsül Yerleştirme için uygulanamaz)

Eski ses protezini çıkarma

6. Mevcut (eski) protezi dişsiz bir hemostat ile çekerek TE ponksiyonundan çıkarın. Klinisyenin tercihinine bağlı alternatif olarak, protezin trakeal flanşı forseps ile kavranıp kesilebilir. Daha sonra protezin kalan kısmı bağırsak yolundan geçiş için özofagusun içine itilir. Bu yöntemi kullanmadan önce hastanın tüm bağırsak hastalıkları geçmişi göz önünde bulundurulmalıdır.

Ponksiyonu hazırlama (opsiyonel)

7. Ponksiyon ses protezinin yerleştirilmesi için genişletilebilir. Bu, genelde gerekli değildir ancak kolayca çökebilene kıvrımlı ya da dar ponksiyona sahip hastalarda yerleştirmeyi kolaylaştırabilir.

2.3 Yerleştirme, Anterograd değiştirme prosedürü

Bir Provox Vega ses protezini Provox Insertion System ile yerleştirmek için dört yöntem kullanılabilir. Yöntem seçimi klinisyenin tercihinine bağlıdır.

2.3.1 Sistem Yerleştirme: Yerleştirme sisteminin tamamı kullanılır.

2.3.2 Tüp Yerleştirme: Yerleştirmeden önce katlama Aracı çıkarılır.

2.3.3 Aşırı İtmeli Yerleştirme: Ses protezinin tamamı özofagus içine konumlandırılır ve ardından istenen konuma geri çekilir.

2.3.4 Kapsül Yerleştirme: Ses protezi, yerleştirmeden önce bir Provox Capsule içine konur.

2.3.1 Yöntem 1: Sistem Yerleştirme

1. TE ponksiyonuna girme

Provox Insertion System'i Yükleme Tüpünden tutun. Yükleme Tüpünün Ucuyla ponksiyona girin. Dirençle karşılaşırsanız dikkatli ilerleyin. Direnç varsa, dilatasyon ve/veya kayganlaştırma yerleştirmeyi kolaylaştırabilir.

2. Ses protezini yerleştirme

Yükleme Tüpünü tek elle sabit tutun ve diğer elinizle Yerleştirme Pimini Distal kavrama yüzeyindeki oklar Katlama Aracının alt kenarına gelinceye dek itin (Şekil 7). Bu noktada, ses protezinin özofagus flanşı özofagusta tamamen açılır.

3. Ses protezini bırakma

Yükleme Tüpünü ve Katlama Aracını birlikte ponksiyondan doğrudan çıkarın. Ses protezi ponksiyonda, Yerleştirme Pimine hala sıkı şekilde bağlı olarak kalır.

4. Prosedürü sonlandırma

Yerleştirmenin ardından, prosedürü aşağıdaki bölüm 2.5'te gösterildiği gibi sonlandırın.

2.3.2 Yöntem 2: Tüp Yerleştirme

Görünürlüğü arttırmak için, protez Yükleme Tüpüne itildiğinde Katlama Aracı çıkarılabilir.

Not: Protezi yüklerken Provox Insertion System'i daima Katlama Aracı takılı şekilde kullanmak özofagus flanşının düzgün katlanması açısından önemlidir.

1. Katlama Aracını Çıkarma

Katlama Aracını, Yükleme Tüpünden çözüp ayırarak çıkarın (Şekil 8).

2. TE ponksiyonuna girme

Provox Insertion System'i Yükleme Tüpünden tutun. Yükleme Tüpünün Ucuyla ponksiyona girin. Dirençle karşılaşırsanız dikkatli ilerleyin. Direnç varsa, dilatasyon ve/veya kayganlaştırma yerleştirmeyi kolaylaştırabilir.

3. Ses protezini yerleştirme

Yerleştirme Pimini diğer elinizle Proksimal kavrama yüzeyindeki oklar Yükleme Tüpüne gelinceye dek itin (Şekil 9). Bu noktada, ses protezinin özofagus flanşı özofagusta tamamen açılır.

4. Ses protezini bırakma

Yükleme Tüpünü bir elle ve Yerleştirme Pimini diğeriyle tutun. Hem Yükleme Tüpünü hem de Yerleştirme Pimini, özofagus flanşının anteriör özofagus duvarına ulaştığını hissedene dek çekin. Ardından, Yerleştirme Pimini bırakın ve Yükleme Tüpünü ponksiyondan doğrudan çıkarın. Bu trakeal flanşı serbest bırakacaktır.

Not: Trakeal flanş özofagus ya da ponksiyon (kazara aşırı itme) içinde açılırsa, trakeal flanşı dişsiz bir hemostat ile kavrayıp ses protezini yerinde çekin/çevirin.

5. Prosedürü sonlandırma

Yerleştirmenin ardından, prosedürü aşağıdaki bölüm 2.5'te gösterildiği gibi sonlandırın.

2.3.3 Yöntem 3: Aşırı İtmeli Yerleştirme

Provox Vega ses protezinin aşırı itilmesi bazen zorlu TE ponksiyonlarından özofagus flanşının tamamen gelişimini güvenceye almak için yapılır.

1. Katlama Aracını Çıkarma (Opsiyonel)

Protezin Yükleme Tüpüne itilmesinin ardından, Katlama Aracını Yükleme Tüpünden çözüp sökerek çıkarın (Şekil 8).

2. TE ponksiyonuna girme

Provox Insertion System'i Yükleme Tüpünden tutun. Yükleme Tüpünün Ucuyla ponksiyona girin. Dirençle karşılaşırsanız dikkatli ilerleyin. Direnç varsa, dilatasyon ve/veya kayganlaştırma yerleştirmeyi kolaylaştırabilir.

3. Ses protezini yerleştirme

Yükleme Tüpünü tek elle sabit tutun ve Yerleştirme Pimini Proksimal kavrama yüzeyinin ardına geçinceye kadar diğer elinizle itin (Şekil 10). Bu noktada ses protezi özofagusa tamamen yerleşir (Şekil 11).

Aşırı itmeli yerleştirme Katlama Aracı birleştirilmişken yapılırsa, Yerleştirme Pimini Distal kavrama yüzeyinin ardına kadar itin. Bu noktada ses protezi özofagusa tamamen yerleşir (Şekil 12).

4. Ses protezini bırakma

Yükleme Tüpünü ponksiyondan doğrudan çıkarın. Protez özofagusta, Yerleştirme Pimine hala sıkı şekilde bağlı olarak kalır. Trakeal flanşı dişsiz bir hemostat ile kavrayıp ses protezini yerinde çekin/çevirin.

5. Prosedürü sonlandırma

Yerleştirmenin ardından, prosedürü aşağıdaki bölüm 2.5'te gösterildiği gibi sonlandırın.

2.3.4 Yöntem 4: Kapsül Yerleştirme

Kullanım amacı

Provox Capsule, standart ses protezlerinin bir klinisyen tarafından larenjektomili hastalara anterograd biçimde yerleştirilmesi için tek kullanımlık bir aksesuardır.

Cihaz tanımı

Provox Capsule, bitkisel kökenli ve suda çözünür bir maddeden üretilmiş olup 17, 20 ve 22,5 Fr olmak üzere üç farklı çaptaki ses protezleriyle kullanılabilir.

UYARILAR

- Ses protezinin doğru biçimde katlandığından ve takılmadan önce Provox Capsule'e doğru biçimde yerleştirildiğinden emin olun. Provox Capsule erken düşerse aspire edilebilir. Kayganlaştırıcıların Capsule için bağlantı yeri oluşturabileceğini göz önünde bulundurun.
- Kontaminasyon şüphesi olduğunda Provox Capsule'ü kullanmayın.
- Paket veya kapsüller hasar görmüş gibi görünüyorsa Provox Capsule'leri kullanmayın.
- TE ponksiyonuna yerleştirilmeden önce ses protezinin çalışır durumda olduğundan emin olun. Ses protezinin yerleştirilmesinin ardından kullanımı için belirtilen güvenlik talimatlarına mutlaka uyun.

ÖNLEMLER

- Ses protezine zarar verebileceğinden özofagus flanşını Provox Capsule içine yerleştirmek için keskin aletler kullanmayın.
- Yalnızca ses protezi ile aynı çapta veya ses protezinden bir boy büyük Provox Capsule kullanın.

Provox Insertion System'in Katlama Aracı, standart bir Provox Vega ses protezinin özofagus flanşını Provox Capsule* içine katlamak için kullanılabilir. Bu prosedürde Yükleme Tüpü kullanılmaz.

1. Protezi Provox Capsule'ün içine yerleştirin

Provox Capsule'ün uzun kısmını atın ve yerleştirme işlemi için kısa kısmını kullanın. Katlama Aracını iki parmağınızla uçları birbirine temas edecek şekilde sıkın ve kapsülü Katlama Aracının ağızına yerleştirin (Şekil 13). Kapsülü işaret parmağınızla tutarken Katlama Aracını uçları birbirine temas edecek şekilde tutun (Şekil 14). Katlama Aracını uçları birbirine temas edecek şekilde tutmak için Provox TwistLock ürününü de kullanabilirsiniz. Yerleştirme Pimini sıkıca ileri doğru itin. Bu, ses protezinin özofagus flanşını kapsülün içine yükleyecektir.

2. Yüklemenin doğru olup olmadığını kontrol edin

Ses protezi artık Provox Capsule içine yüklenmiş durumdadır ve Katlama Aracı, Yerleştirme Piminden çıkarılabilir. Özofagus flanşının kapsülün içinde olduğunu onaylayın (Şekil 15). Ses protezi düzgün şekilde katlanmamışsa yükleme işlemi yeni bir Provox Capsule ile tekrarlanmalıdır. Ses protezinin kayışının, protezin ponksiyona yerleştirilmesi için kullanılan yerleştirme pimine sabitlendiğinden emin olun.

3. Eski ses protezini çıkarın ve TE ponksiyonunu hazırlayın (bkz. Bölüm 2.2, madde 6 ve 7).

4. Provox Capsule'ü ponksiyona yerleştirin

Provox Capsule çözülene ve özofagus flanşı tamamen açılana kadar ses protezini tam yerleştirilmiş konumda tutun. Ses protezinin doğru konumda olmasını sağlamak için protezin kayışını hafifçe çekin.

5. Ses protezinin serbest bırakılması

Yerleştirme pimini ses protezinden çıkarın. Ses protezi ponksiyonun içinde kalır.

6. Prosedürün sonlandırılması

Yerleştirme işleminin ardından, aşağıdaki bölüm 2.5'te açıklandığı şekilde prosedürü sonlandırın

* Tüm ülkelerde mevcut değildir.

2.4 Provox Insertion System'in montajı ve yeniden yüklemesi

Provox Vega'nın TE ponksiyonuna yerleştirilmesi ilk denemede başarısız olursa, ses protezini Provox Insertion System içine tekrar yüklemek mümkündür.

Ses protezini konumlandırma

1. Ses protezini trakeal tarafı Yerleştirme Piminin üstüne bakacak şekilde takın.
2. Güvenlik Kayışını iki taraftaki Bağlantı Yuvalarından geçirerek bağlayın.
3. Ses Protezinin Yerleştirme Pimi üzerinde doğru konumlanıp sıkıca bağlandığından ve pim ucunun ses protezinin mavi halkasının içine doğru iyice yerleştirilmiş olduğundan emin olun (Şekil 3).

Katlama Aracını Takma

4. Yerleştirme Pimini yerine oturana kadar Katlama Aracının ağızından geçirin. Pimi, Katlama Aracına oturana kadar çekin (Şekil 16). Provox Insertion System artık hazırlama için hazırdır. Hazırlamaya yukarıdaki bölüm 2.2'de açıklandığı gibi devam edin.

DİKKAT: İki kereden fazla tekrar yükleme yapmayın. Provox Vega ses protezinde hasar belirtileri görürseniz, ses protezini kullanmayın.

2.5 Prosedürü sonlandırma

Yerleştirmeden sonra:

Tam oturduğundan emin olma

1. Yerleştirme Pimini çevirip hafifçe çekerek ses protezinin konumunun düzgün olduğundan emin olun (Şekil 17). Protez, Güvenlik Kayışı aşağı doğru iken ideal konumdadır.

Düzgün çalışmayı test etme

2. Provox Vega'yı Provox Brush ile fırçalayın. Hastadan konuşmasını isteyip, hasta su içerken protezin sızdıran sızdırmadığını gözlemleyerek protezin düzgün çalıştığını test edin (Şekil 18).

Güvenlik Kayışını kesme

3. Ses protezinin düzgün yerleştirildiğinden emin olduktan sonra, Güvenlik Kayışını Trakeal Flanşa denk gelecek şekilde kesin (Şekil 19). Provox Vega ses protezi artık kullanıma hazırdır.

2.6 Atma

Kullanılmış bir tıbbi cihazı atarken biyolojik tehlikeyle ilgili tıbbi uygulamalara ve ulusal gerekliliklere daima uyun.

3. Önemli hasta bilgileri

3.1 Genel bilgiler

Hastanın şu durumlarda klinisyeniyle irtibata geçmesi gerektiğini anladığından emin olun:

- Protezden veya protez etrafında sızıntı varsa (öksürme, ve/veya mukus rengi değişikliği).
- Konuşmada zorlanma varsa (daha fazla çaba ve/veya ses daha zorlanmış gelirse).
- Ponksiyon bölgesinde ya da stoma bölgesinde enflamasyon veya doku değişikliklerine dair belirtiler varsa (ağrı, kızarıklık, sıcaklık, şişlik, fırçalama sonrasında fırçada kan izleri).

Ayrıca hastanıza şunları bildirin:

- Bir protez değiştirme işleminden sonra tükürükte kan izlerine rastlanabilir. Bu TE ponksiyonunun kenarındaki granülasyon dokusundan gelebilir.
- Provox Vega Plug geçici olarak ses protezindeki sızıntıyı durdurmak için kullanılabilir.
- Eğitimli bir klinisyen ile Konuşma Alıştırması Seansları optimal ses gücüne, akıcı konuşmaya ve optimal anlaşılabilirliğe ulaşmak için önerilir.

3.2 Protez bakımı

Hastaya Provox Vega ses protezinin ne zaman ve nasıl temizlenmesi gerektiğini anlatın. Protezi günde en az iki defa temizlemek cihazın ömrünü uzatmaya yardımcı olur.

DİKKAT: Protezi temizlerken sadece Provox Vega ile kullanıma yönelik orijinal Provox aksesuarları kullanın.

- Protezi Provox Brush ile günde iki kez fırçalamak mukusu ve gıda kalıntılarını protezden temizlemeye yardımcı olacaktır.
- Protezi Provox Flush ile fırçalamak ayrıca protezdeki kalıntı ve mukusu temizlemeye yardımcı olarak, cihazın ömrünü uzatmaya yardımcı olacaktır.
Not: Provox Flush yalnızca cihazı reçeteye veren klinisyen tarafından klinisyen gözetimi olmaksızın tutarlı bir şekilde kullanım talimatlarını anlayıp uygulayabilecek durumda olduğuna karar verilmiş hastalar tarafından kullanıma yöneliktir.
- Günlük laktik asit bakterileri içeren yoğurt ya da tereyağı tüketmek gibi bazı beslenme önlemlerinin aşırı Candida gelişimine karşı yardımcı olduğu düşünülmektedir.

Provox Vega'nın temizlenmesi ile ilgili ayrıntılı bilgi için, lütfen her aksesuar için Kullanma Talimatına bakın.

4. Ek bilgi

4.1 MR, X-ışını ve ışın tedavisiyle uyumluluk

Provox Vega ses protezleri test edilmiş ve Manyetik Rezonans Görüntüleme (3 Tesla'ya kadar test edilmiştir), röntgen ve radyasyon terapisi (70 Gy değerine kadar test edilmiştir) ile uyumlu olduğu belirlenmiştir. Muayene/televizyon seansı sırasında, protez TE deliği içinde bırakılabilir. Radyopak valf yatağının röntgende görünür olduğunu unutmayın.

4.2 Cihazın kullanım ömrü

Bireysel biyolojik koşullara göre cihaz ömrü farklılık gösterir ve daha uzun bir dönemden sonra cihazın bütünlüğü öngörülemez. Cihazın malzemesi, örn. bakteri ve mayadan etkilenir ve cihazın yapısal bütünlüğü nihayetinde bozulacaktır.

12 aylık simüle edilmiş bir kullanım periyodundaki laboratuvar testleri, bakteri ve mayanın yokluğunda cihazın bu süre içinde yapısal bütünlüğünü koruyacağını göstermiştir. Cihaz 12 aydan uzun süre kullanım için test edilmemiştir. Bu limitin ötesinde kullanım, yalnızca reçetelendirenin sorumluluğundadır.

4.3 Antifungal ilaçlarla uyumluluk

Laboratuvar testleri, aşağıdaki antifungal ilaçların kullanımının, Provox Vega ses protezi ve bileşenlerinin işlevi üzerinde yalnızca küçük bir olumsuz etkisi olduğunu göstermektedir: Nistatin, Flukonazol ve Mikonazol.

5. İhbar

Cihazla ilgili meydana gelen herhangi bir ciddi olay üreticiye ve kullanıcının ve/veya hastanın ikamet ettiği ülkedeki ulusal yetkiliye bildirilmelidir.

ინგლისური

Provox® Vega™

1. აღწერილობითი ინფორმაცია

1.1 გამოყენება დანიშნულებისამებრ

Provox Vega-ს ხმის პროთეზი არის სტერილური, ერთჯერადი მოხმარების ფარული ხმის პროთეზი, რომელიც განკუთვნილია ხმის რეაბილიტაციისათვის ხორხის ქირურგიული ჩარევით ამოღების შემდეგ (ლარინგექტომია). პაციენტი თავად წმენდს ხმის პროთეზს მანამ, სანამ ის ადგილზეა.

Provox Insertion System-ა არის სტერილური, ერთჯერადი მოხმარების მოწყობილობა, რომელიც განკუთვნილია Provox Vega-ს ხმის პროთეზის ანტეროგრადული ჩანაცვლებისთვის. ჩანაცვლების აღნიშნულ პროცედურას ატარებს ექიმი ან კვალიფიციური სამედიცინო პერსონალი ადგილობრივი ან ეროვნული გაიდლაინების მიხედვით.

Provox Insertion System-ის გამოყენება დაუშვებელია ხმის პროთეზის ჩასადგმელად ახლად გაკეთებულ პუნქციაში.

1.2 მოწყობილობის აღწერა ზოგადი

Provox Vega არის ცალმხრივი სარქველი (პროთეზი), რომელიც უზრუნველყოფს TE-პუნქციის ღიაობას სამეტყველოდ, ამავდროულად ამცირებს ტრაქეაში სითხისა და საკვების შეღწევის რისკს. Provox Vega-ს ხმის პროთეზი დროებითი იმპლანტია და საჭიროებს პერიოდულად შეცვლას. პროთეზი წარმოდგენილია (სურ. 1) სხვადასხვა დიამეტრითა და რამდენიმე სიგრძით. მოწყობილობა დამზადებულია სამედიცინო სილიკონის რეზინითა და ფტორ-პოლიმერით.

Provox Vega-ს პაკეტი

Provox Vega-ს პაკეტი შეიცავს შემდეგ ელემენტებს:

- 1 წინასწარ აწყობილ Provox Vega-ს ხმის პროთეზს ერთჯერადი მოხმარების Insertion System-ში, სტერილური (სურ. 2)

- 1 ხმის პროთეზის შესაბამისი ზომის Provox ჯაგარის, არასტერილური
- 1 Provox Vega-ს ექიმის სახელმძღვანელოს
- 1 Provox Vega-ს პაციენტის სახელმძღვანელოს
- 1 Provox ჯაგარისის მოხმარების ინსტრუქციები

1.3 უკუჩვენებები

Provox Vega-ს ხმის პროთეზის მოხმარებასა თუ შეცვლასთან დაკავშირებული რაიმე ცნობილი უკუჩვენებები არ არსებობს იმ პაციენტებში, რომლებიც უკვე გადაიან ხელოვნური ხმის რეაბილიტაციას.

1.4 გაფრთხილებები

- შეიძლება მოხდეს Provox Vega-ს ხმის პროთეზის გადაადგილება ან ამოვარდნა TE პუნქციიდან და შემდგომ ყლაპვის, სუნთქვის ან ქსოვილის დაზიანება. სასუნთქ გზებში უცხო სხეულმა შეიძლება გამოიწვიოს მწვავე კართულებები, როგორცაა სუნთქვის მწვავე გამოწვევა და/ან სუნთქვის გაჩერება.
- აირჩიეთ პროთეზის შესაფერისი ზომა. მჭიდრო სამაგრმა შეიძლება გამოიწვიოს ქსოვილის ნეკროზი და ექსტრუზია.
- ურჩიეთ პაციენტს, რჩევისთვის დაუყოვნებლივ მიმართოს ექიმს, თუ გაჩნდება ქსოვილის ედემას და/ან ანთების/ინფექციის ნიშნები.
- ურჩიეთ პაციენტს, რჩევისთვის მიმართოს ექიმს, თუ პროთეზიდან ან მის გარშემო შეინიშნება გამონაჟონი. გამონაჟონმა შეიძლება გამოიწვიოს ასპირაციული პნევმონია.
- გამოყენების შემთხვევაში, აირჩიეთ შესაფერისი ფორმის ლარინგექტომიის მილები ან სტომას ღილაკები, რომელიც არ დააწვება პროთეზს ან არ წამოედება პროთეზის ტრაქეალურ ფლანგს ლარინგექტომიის მილის ან სტომას ღილაკის ჩასმისა და ამოღების დროს. ამან შეიძლება განაპირობოს ქსოვილის მწვავე დაზიანება და/ან პროთეზის შემთხვევით გადაყლაპვა.
- ურჩიეთ პაციენტს, გამოიყენოს Provox-ის შესაბამისი ზომის მხოლოდ ორიგინალი აქსესუარები (ჯაგარისი, გამოსარეცხი, შესაერთებელი) მოწყობილობის ტექ.უზრუნველყოფისთვის და ყველა სხვა სახის მანიპულაციის თავიდან ასაცილებლად.
- ხელახალმა გამოყენებამ ან ხელახალმა დამუშავებამ შეიძლება გამოიწვიოს მოწყობილობის ჯვარედინული დაბინძურება და დაზიანება, რამაც შეიძლება ავნოს პაციენტს.

1.5 სიფრთხილის ზომები.

- პროთეზის ჩასმამდე ან შეცვლამდე, ყურადღებით შეაფასეთ პაციენტის მდგომარეობა სისხლდენის დარღვევებით ან, რომელიც გადის ანტიკოაგულაციურ მკურნალობას სისხლდენის რისკის ან ჰემორაგიის გამო.
- გამოყენებამდე, დაათვალიერეთ პაკეტი. თუ პაკეტი დაზიანებულია ან გახსნილი, არ გამოიყენოთ პროდუქტი.
- ყოველთვის გამოიყენეთ ასეპტიკური ტექნიკა პროთეზის დამუშავებისას, რათა შეამციროთ დაინფიცირების რისკი.

2. მოხმარების ინსტრუქციები

2.1 აირჩიეთ ხმის პროთეზის ზომა

შესაცვლელი პროთეზის სათანადო დიამეტრისა და სიგრძის შტიფტის არჩევა აუცილებლად გამოიყენეთ სათანადო დიამეტრისა და სიგრძის Provox Vega-ს ხმის პროთეზი. Provox Vega ხელმისაწვდომია სხვადასხვა ზომის დიამეტრისა და სიგრძის შტიფტით.

- შტიფტის დიამეტრის არჩევა
ექიმმა უნდა დაადგინოს პროთეზის შესაბამისი დიამეტრი ცალკეული პაციენტისთვის.
თუ შერჩეული დიამეტრი წინა პროთეზზე დიდია, ტრაქტი უნდა გაფართოვდეს Provox Dilator-ის გამოყენებით ისე, რომ შესაძლებელი იყოს შესაბამისი ზომის პროთეზის ჩასმა.
შედარებით მცირე ზომის შტიფტის მქონე პროთეზის ჩასმის შემთხვევაში, დააკვირდით და დარწმუნდით, რომ პუნქცია შეიკუმშება სათანადო ზომაზე.
- შტიფტის სიგრძის არჩევა
სწორი სიგრძის არჩევის მიზნით, საზომ მოწყობილობად შეგიძლიათ გამოიყენოთ არსებული პროთეზი.
თუ ძველი პროთეზის ტრაქეალურ ფლანგსა და ლორწოვანი გარსის კედელს შორის მეტისმეტად დიდი სივრცეა (ე.ი. 3 მმ-0,12 დუიმი, ან მეტი), საჭიროა შედარებით მოკლე პროთეზის გამოყენება. თუ პროთეზი მეტისმეტად მჭიდროდ ჯდება, აუცილებელია შედარებით გრძელი პროთეზის გამოყენება.

2.2 მომზადება

(სურ. 3-6)

განათავსეთ ხმის პროთეზი

1. დარწმუნდით, რომ ხმის პროთეზი სათანადოდ არის განათავსებული შეყვანის შტიფტზე, მყარად არის დამაგრებული და შტიფტის წვერი მთლიანად არის შესული ხმის პროთეზის ლურჯ რგოლში (სურ. 3).

მოკვეთეთ ეზოფაგეალური ფლანგი

2. შეამოწმეთ, რომ შეყვანის შტიფტი სწორად არის მოთავსებული დამჭერი ხელსაწყოთი (შტიფტი უნდა ჩამაგრდეს დამჭერი ხელსაწყოში).
3. მოუჭირეთ დამჭერი ხელსაწყოს ორი თითით (სურ. 4)
4. დაამაგრეთ დატვირთვის მილი ისე, რომ დამჭერი ხელსაწყო დახურული იყოს და გადაგრიხეთ ჩატვირთვის მილი, სანამ ის ადგილზე არ ჩაჯდება (სურ. 5).
(დაუდგენელია კაფსულის ჩასასმელად)

დატვირთეთ

5. წინ მიაჭირეთ შეყვანის შტიფტს მანამ, სანამ ხმის პროთეზი არ გაუსწორდება ჩატვირთვის მილის ხილვად რგოლს (სურ. 6).
(დაუდგენელია კაფსულის ჩასასმელად)

მოხსენით ძველი ხმის პროთეზი

6. მოხსენით ამჟამინდელი (ძველი) პროთეზი TE-პუნქციიდან უკბილო სისხლდენის შესაჩერებელი მომჭერით გამოქაჩვის გზით. სხვაგვარად, ექიმის შეხედულებისამებრ, პროთეზის ტრაქეალური ფლანგი შეიძლება დაიჭიროთ პინცეტით და გადაჭრათ. შემდეგ, პროთეზის დარჩენილი ნაწილი შევა საყლაპავში და გაივლის კუჭ-ნაწლავს. ამ მეთოდის გამოყენებამდე, აუცილებელია პაციენტის კუჭ-ნაწლავური დაავადებების ანამნეზის გათვალისწინება.

მომზადეთ პუნქცია (არჩევითი)

7. პუნქცია შეიძლება გაფართოვდეს ხმის პროთეზის ჩასასმელად მომზადების დროს. ეს, ჩვეულებრივ, არ არის აუცილებელი, მაგრამ შეიძლება ხელი შეუწყოს პროთეზის ჩასმას იმ პაციენტებში, რომლებსაც აქვთ კუთხოვანი ან ვიწრო პუნქციები, რაც ადვილად ზიანდება.

2.3 ჩასმა, ანტეროგრადული ჩანაცვლების პროცედურა

Provox Vega-ს ხმის პროთეზის Provox Insertion System-ით ჩასასმელად შესაძლებელია ოთხი მეთოდის გამოყენება. მეთოდის არჩევა ექიმის გადაწყვეტილებაზეა დამოკიდებული.

- 2.3.1 სისტემის ჩაყენება: გამოიყენება მთლიანი ჩასაყენებელი სისტემა.
- 2.3.2 მილის ჩაყენება: ჩასმამდე მოხსენით დამჭერი ხელსაწყო.
- 2.3.3 განმეორებითი შეყვანა: ხმის მთლიანი პროთეზი მოთავსებულია საყლაპავ მილში და შემდეგ დამაგრებულია საჭირო პოზიციაში.
- 2.3.4 კაფსულის ჩაყენება: ჩასმამდე ხმის პროთეზი უნდა მოთავსდეს Provox Capsule-ში.

2.3.1 მეთოდი 1: სისტემის ჩაყენება

1. შეიყვანეთ TE-პუნქციაში
დაიჭირეთ Provox Insertion System-ა ჩატვირთვის მილით. შეიყვანეთ ჩატვირთვის მილის წვერი პუნქციაში. რაიმე წინაღობის შემთხვევაში, პროცედურა განაგრძეთ სიფრთხილით. წინაღობის შემთხვევაში, დილატაციამ და/ან გაპოხვამ შეიძლება გაამარტივოს შეყვანა.
2. ჩასვით ხმის პროთეზი
ერთი ხელით მყარად დაიჭირეთ ჩატვირთვის მილი და მეორე ხელით დააწეეთ შეყვანის შტიფტს, სანამ ისრები მოჭიდების დისტალურ ზედაპირზე არ განლაგდება დამჭერი ხელსაწყოს ქვედა კიდის დონეზე (სურ. 7). ამ დონეზე, ხმის პროთეზის ეზოფაგეალური ფლანგი მთლიანად თავისუფლდება საყლაპავ მილში.
3. გაათავისუფლეთ ხმის პროთეზი
ერთად გამოქაჩეთ ჩატვირთვის მილი და დამჭერი ხელსაწყო პუნქციიდან. ხმის პროთეზი რჩება პუნქციაში; ჯერ კიდევ მყარადაა დამაგრებული შეყვანის შტიფტზე.
4. დაასრულეთ პროცედურა
ჩასმის შემდეგ, დაასრულეთ პროცედურა ისე, როგორც ეს აღწერილია თავში 2.5.

2.3.2 მეთოდი 2: მილის ჩასმა

ხილვადობის გასაუმჯობესებლად, შესაძლებელია დამჭერი ხელსაწყოს მოხსნა მას შემდეგ, რაც პროთეზი შევა ჩასატვირთ მილში.

შენიშვნა: პროთეზის დატვირთვისას აუცილებელია, რომ Provox Insertion System-ა ყოველთვის გამოიყენოთ დამჭერი ხელსაწყოსთან ერთად იმისათვის, რომ უზრუნველყოთ ეზოფაგეალური ფლანგის ჯეროვანი დაჭერა.

1. მოხსენით დამჭერი ხელსაწყო
მოხსენით დამჭერი ხელსაწყო მისი გახსნისა და ჩატვირთვის მილიდან გამოერთების გზით (სურ. 8).
2. შეიყვანეთ TE-პუნქციაში
დაიჭირეთ Provox Insertion System-ა ჩატვირთვის მილით. შეიყვანეთ ჩატვირთვის მილის წვერი პუნქციაში. რაიმე წინაღობის შემთხვევაში, პროცედურა განაგრძეთ სიფრთხილით. წინაღობის შემთხვევაში, დილატაციამ და/ან გაპოხვამ შეიძლება გაამარტივოს შეყვანა.
3. ჩასვით ხმის პროთეზი
დააწეეთ შეყვანის შტიფტს მეორე ხელით, სანამ ისრები მოჭიდების დისტალურ ზედაპირზე არ განლაგდება ჩატვირთვის მილის დონეზე (სურ. 9). ამ დონეზე, ხმის პროთეზის ეზოფაგეალური ფლანგი მთლიანად თავისუფლდება საყლაპავ მილში.
4. გაათავისუფლეთ ხმის პროთეზი

ერთი ხელით დაიჭირეთ ჩატვირთვის მილი, ხოლო მეორე ხელით შეყვანის შტიფტი. გამოქაჩეთ ჩატვირთვის მილი და შეყვანის შტიფტი მანამ, სანამ არ იგრძნობთ, რომ ეზოფაგეალური ფლანგმა მიაღწია საყლაპავის გარეთა კედელს. შემდეგ, გაუშვით შეყვანის შტიფტს ხელი და გამოქაჩეთ ჩატვირთვის მილი პირდაპირ პუნქციიდან. ეს გაათავისუფლებს ტრაქეალურ ფლანგს.

შენიშვნა: თუ ტრაქეალური ფლანგი თავისუფლდება საყლაპავის ან პუნქციის შიგნით (გაუთვალისწინებელი გადახრა), დაიჭირეთ ტრაქეალური ფლანგი უკბილო სისხლდენის შესაჩერებელი მომჭერით და მოქაჩეთ/ადგილზე მოაბრუნეთ ხმის პროთეზი.

5. დაასრულეთ პროცედურა ჩასმის შემდეგ, დაასრულეთ პროცედურა ისე, როგორც ეს აღწერილია თავში 2.5

2.3.3 მეთოდი 3: განმეორებითი შეყვანა

ზოგჯერ Provox Vega-ს ხმის პროთეზის განმეორებითი შეყვანა შეიძლება შესრულდეს ეზოფაგეალური ფლანგის სხვადასხვა TE პუნქციებში სრული განვითარების უზრუნველსაყოფად.

1. მოხსენით დამჭერი ხელსაწყო (არჩევითი) პროთეზის ჩატვირთვის მილში შეყვანის შემდეგ, მოხსენით დამჭერი ხელსაწყო მისი გახსნისა და ჩატვირთვის მილიდან გამოერთების გზით (სურ. 8).
2. შეიყვანეთ TE-პუნქციაში დაიჭირეთ Provox Insertion System-ს ჩატვირთვის მილით. შეიყვანეთ ჩატვირთვის მილის წვერი პუნქციაში. რაიმე წინაღობის შემთხვევაში, პროცედურა განაგრძეთ სიფრთხილით. წინაღობის შემთხვევაში, დილატაციამ და/ან გაპოხვამ შეიძლება გაამართივოს შეყვანა.
3. ჩასვით ხმის პროთეზი მყარად დაიჭირეთ დამჭერი ხელსაწყო ერთი ხელით, ხოლო მეორე ხელით მიაწვეით შეყვანის შტიფტს, სანამ არ გაცდება მოჭიდების პროქსიმალურ ზედაპირს (სურ. 10). ამ დონეზე, ხმის პროთეზი სრულად თავსდება საყლაპავში (სურ. 11). აწყობილი დამჭერი ხელსაწყოს გამოყენებით განმეორებითი შეყვანის შემთხვევაში, შეყვანის შტიფტს დააწვეით ისე, რომ გაცდეს მოჭიდების დისტალურ ზედაპირს. ამ დონეზე, ხმის პროთეზი სრულად თავსდება საყლაპავში (სურ. 12).
4. გაათავისუფლეთ ხმის პროთეზი გამოქაჩეთ ჩატვირთვის მილი პირდაპირ პუნქციიდან. პროთეზი რჩება საყლაპავში; ჯერ კიდევ მყარადაა დამაგრებული შეყვანის შტიფტზე. დაიჭირეთ ტრაქეალური ფლანგი უკბილო სისხლდენის შესაჩერებელი მომჭერით და მოქაჩეთ/ადგილზე მოაბრუნეთ ხმის პროთეზი.
5. დაასრულეთ პროცედურა ჩასმის შემდეგ, დაასრულეთ პროცედურა ისე, როგორც ეს აღწერილია თავში 2.5

2.3.4 მეთოდი 4: კაფსულის ჩასმა

მიზნობრივი გამოყენება

Provox Capsule არის ერთჯერადი მოხმარების აქსესუარი ექიმის მიერ ლარინგექტომიზებული პაციენტის ტრაქეოეზოფაგეალურ ფისტულაში სტანდარტული ხმის პროთეზის ანტიროგრაფული ჩადგმისთვის.

მოწყობილობის აღწერა

Provox Capsules დამზადებულია მცენარეული წარმოშობის წყალში ხსნადი მასალით, ხოლო ზომები გათვალისწინებულია სამი სხვადასხვა დიამეტრის ხმის პროთეზისთვის, 17, 20 და 22.5 Fr.

გაფრთხილებები

- ყოველთვის დარწმუნდით, რომ ხმის პროთეზი სწორად არის დაკეცილი და რომ ჩადგამდე სწორად არის ჩადგმული Provox Capsule-ში. თუ Provox Capsule დროზე ადრე მოძვრება, შესაძლებელია მისი გამოწოვა. გაითვალისწინეთ, რომ ლუბრიკანტებმა შეიძლება საფრთხე შეუქმნას Capsule-ის სამაგრს.
- არ გამოყენოთ Provox Capsule, თუ არსებობს დაბინძურების ეჭვი.
- არ გამოიყენოთ Provox Capsules, თუ შეფუთვა ან კაფსულები დაზიანებულია.
- დარწმუნდით, რომ ხმის პროთეზი ფუნქციონირებს TE-ფისტულაში ჩადგმის შემდეგ. ჩადგმის შემდეგ ყოველთვის დაიცავით ხმის პროთეზის გამოყენების ინსტრუქციაში მითითებული უსაფრთხოების ზომები.

სიფრთხილის ზომები

- Provox Capsule-ში ეზოფაგეალური ფლანგის ჩასადგმელად არ გამოიყენოთ ბასრი საგნები, ვინაიდან ამან შეიძლება დააზიანოს ხმის პროთეზი.
- გამოიყენეთ მხოლოდ იგივე ზომის ან ხმის პროთეზზე ერთი ზომით დიდი Provox Capsule.

Provox Insertion System-ის დამჭერი ხელსაწყო შეიძლება გამოყენებულ იქნას სტანდარტული Provox Vega-ს ხმის პროთეზის ეზოფაგეალური ფლანგის დამჭერად Provox Capsule*-ში. ამ პროცედურის დროს არ გამოიყენება ჩატვირთვის მილი.

1. ჩასვით პროთეზი Provox Capsule-ში

არ გამოიყენოთ Provox Capsule-ის გრძელი ნაწილი, ჩასადგმელად გამოიყენეთ მხოლოდ მოკლე ნაწილი. მოუჭირეთ დამჭერ ხელსაწყოს თითები და მოათავსეთ კაფსულა დამჭერი ხელსაწყოს ნაპრალში

(სურ. 13). მოუჭირეთ დამჭერ ხელსაწყოს ორივე მხრიდან ისე, რომ საჩვენებელი თითი დააჭიროთ კაფსულას (სურ. 14). დამჭერი ხელსაწყოს მთლიანობის შესანარჩუნებლად, ალტერნატივის სახით, გამოიყენეთ Provox TwistLock-ი. ძლიერად დააწეკით შეყვანის შტიფტს; ეს ჩატვირთავს ხმის პროთეზის ეზოფაგეალურ ფლანგს კაფსულაში.

2. შეამოწმეთ ჯეროვანი დატვირთვა ახლა, ხმის პროთეზი ჩატვირთულია Provox Capsule-ში და შესაძლებელია შეყვანის შტიფტიდან დამჭერი ხელსაწყოს მოხსნა. დარწმუნდით, რომ ეზოფაგეალური ფლანგი კაფსულის შიგნით არის მოთავსებული (სურ. 15). თუ ხმის პროთეზი არასათანადოდ არის დაკეტილი, ჩატვირთვის პროცესი უნდა განმეორდეს ახალი Provox Capsule-ით. დარწმუნდით, რომ ხმის პროთეზის სამაგრი დამაგრებელია პროთეზის ფისტულაში ჩასადგმელად განკუთვნილ შტიფტზე.
3. მოხსენით ძველი ხმის პროთეზი და მოამზადეთ TE ფისტულა (იხილეთ თავი 2.2 პარაგრაფები 6 და 7).
4. ჩასვით Provox Capsule ფისტულაში. ხმის პროთეზი დაიჭირეთ ჩასასმელ პოზიციაში, სანამ Provox Capsule არ გაიხსნება და ეზოფაგეალური ფლანგი ბოლომდე არ გაიშლება. ოდნავ გამოქაჩეთ ხმის პროთეზის სამაგრი რათა დარწმუნდეთ, რომ ის შესაბამის პოზიციაშია.
5. გაათავისუფლეთ ხმის პროთეზი ხმის პროთეზს მოხსენით შესაყვანი შტიფტი. ხმის პროთეზი რჩება პუნქციაში.
6. დაასრულეთ პროცედურა ჩასმის შემდეგ, დაასრულეთ პროცედურა ისე, როგორც ეს აღწერილია თავში 2.5

* არ არის ხელმისაწვდომი ყველა ქვეყანაში.

2.4 Provox Insertion System-ის აწყობა და გადატვირთვა

თუ Provox Vega-ს TE-პუნქციაში ჩასმის პირველი მცდელობა წარუმატებელი იყო, შესაძლებელია ხმის პროთეზის გადატვირთვა Provox Insertion System-ში. განათავსეთ ხმის პროთეზი

1. დაიჭირეთ ხმის პროთეზი ტრაქეალური მხრიდან ისე, რომ სახით შეყვანის შტიფტის თავს უყურებდეს.
2. სამაგრ ნაპრალში ორივე მხრიდან შეიყვანეთ და დაამაგრეთ დამცავი თასმა.
3. დარწმუნდით, რომ ხმის პროთეზი სათანადოდ არის განთავსებული შეყვანის შტიფტზე, მყარად არის დამაგრებული და შტიფტის წვერი მთლიანად არის შესული ხმის პროთეზის ლურჯ რგოლში (სურ. 3).

შეათრეთ დამჭერი ხელსაწყო

4. შეიყვანეთ შეყვანის შტიფტი დამჭერი ხელსაწყოს ლობში, სანამ ადგილზე არ ჩაჯდება. გაქაჩეთ შტიფტი, სანამ შტიფტი არ ჩამაგრდება დამჭერ ხელსაწყოში (სურ. 16). Provox Insertion System-ა მზად არის მოსამზადებლად. განაგრძეთ მომზადება, როგორც ეს აღწერილია თავში 2.2.

გაფრთხილება: არ გადატვირთოთ ორჯერზე მეტად. თუ Provox Vega-ს ხმის პროთეზს აღენიშნება დაზიანების რაიმე ნიშნები, არ გამოიყენოთ ის.

2.5 პროცედურის დასრულება

ჩადგმის შემდეგ:

უზრუნველყავით შესაბამისი შეერთება

1. დარწმუნდით ხმის პროთეზის სათანადო მდებარეობაში შესაყვანი შტიფტის მობრუნებითა და ნაზი გაქაჩვით (სურ. 17). პროთეზი იდეალურ მდგომარეობაშია, როდესაც დამცავი თასმა ქვევით არის მიმართული.

შეამოწმეთ ჯეროვანი ფუნქციონირება

2. გახსნეთ Provox Vega Provox ჯაგრისით. შეამოწმეთ პროთეზის ჯეროვანი ფუნქციონირება, სთხოვეთ პაციენტს ისაუბროს და დააკვირდით, ხომ არ ჟონავს პროთეზი, როდესაც პაციენტი წყალს სვამს (სურ. 18).

გაჭირით დამცავი თასმა

3. მას შემდეგ, რაც დარწმუნდებით, რომ პროთეზი სწორად არის მოთავსებული, გაჭირით დამცავი თასმა ისე, რომ განლაგდეს ტრაქეალური ფლანგის დონეზე (სურ. 19). ახლა Provox Vega-ს ხმის პროთეზი მზად არის გამოყენებისთვის.

2.6 ნარჩენების განკარგვა

გამოყენებული სამედიცინო მოწყობილობების უტილიზაციისას ყოველთვის დაიცავით საშიში ბიოლოგიური ნივთიერებების მიმართ არსებული სამედიცინო პრაქტიკა და ეროვნული მოთხოვნები.

3. მნიშვნელოვანი ინფორმაცია პაციენტისთვის

3.1 ზოგადი ინფორმაცია

დარწმუნდით, რომ პაციენტს ესმის, რომ უნდა დაუკავშირდეს ექიმს, თუ:

- პროთეზში ან მის გარშემო გამონაჟონი შეინიშნება (ხველება და/ან ლორწოს ფერის შეცვლა).
- საუბარი გართულდება (დიდი ძალისხმევა საჭირო და/ან ხმა ჟღერს დაძაბულად).
- პუნქციის ადგილას ან სტომას ზონაში შეინიშნება ანთების ან ქსოვილის შეცვლის ნიშნები (ტკივილი, სიწითლე, ცხელება, შეშუპება, სისხლის კვალი ჯაგრისზე გამოხეხვის შემდეგ).

ასევე, აცნობეთ პაციენტს, რომ:

- პროთეზის შეცვლის შემდეგ, ნერწყვში შეიძლება შეინიშნებოდეს სისხლის კვალი. ეს შეიძლება იყოს განპირობებული TE პუნქციის კიდებზე გრანულაციური ქსოვილით.
- Provox Vega Plug-ი შეიძლება გამოყენებულ იქნას დროებით ხმის პროთეზიდან გაჭონვის შესაჩერებლად.
- ოპტიმალური ხმის ჟღერადობის მისაღებად, თავისუფალი მეტყველებისა და მეტყველების ოპტიმალური გარკვეულობისთვის რეკომენდებულია მეტყველების სასწავლო სესიების გავლა კვალიფიციურ ექიმთან.

3.2 პროთეზის მოვლა

ასწავლეთ პაციენტს როდის და როგორ უნდა გაწმინდოს მისი Provox Vega-ს ხმის პროთეზი. პროთეზის დღეში სულ მცირე ორჯერ გაწმენდა. გაახანგრძლივებს მისი ექსპლუატაციის დროს.

გაფრთხილება: პროთეზის გაწმენდის დროს, გამოიყენეთ Provox-ის მხოლოდ ორიგინალი აქსესუარები, რომლებიც განკუთვნილია Provox Vega-თვის.

- პროთეზის Provox ჯაგრისით დღეში ორჯერ გაწმენდა, დაგეხმარებათ პროთეზის ლორწოსა საკმლის ნარჩენებისგან გასუფთავებაში.
- პროთეზის Provox Flush-ით გამორეცხვა ასევე დაგეხმარებათ, გაასუფთაოთ პროთეზი ნადებისა და ლორწოსგან, რაც გაზრდის მოწყობილობის ექსპლუატაციის დროს.
შენიშვნა: Provox Flush-ი განკუთვნილია მხოლოდ იმ პაციენტებისთვის, რომლებსაც, კლინიკური ექიმის შეფასებით, რომელიც უფლებამოსილია, დანიშნოს მოწყობილობა, აღმოაჩნდათ უნარი, გაეგოთ და დაეცვათ მოხმარების ინსტრუქციები ექიმის მეთვალყურეობის გარეშე.
- მიჩნეულია, რომ დიეტური საკვების ყოველდღიური მიღება, როგორცაა იოგურტი ან ლაქტობაცილის შემცველი კეფირი, ხელს უწყობს სოკოს მეტისმეტად მომატებას.

იმის შესახებ, თუ როგორ უნდა გაწმინდოთ Provox Vega, დეტალური ინფორმაციისთვის, გთხოვთ იხილოთ თითოეული აქსესუარის ინსტრუქცია.

4. დამატებითი ინფორმაცია

4.1 შეთავსებადობა MRI, რენტგენტთან და სხივურ თერაპიასთან

Provox Vega-ს ხმის პროთეზი შემოწმდა და დადგინდა, რომ შეთავსებადია მაგნიტო-რეზონანსულ კვლევასთან (შემოწმდა 3 Tesla-მდე), რენტგენტთან და სხივურ თერაპიასთან (შემოწმდა 70 Gy-მდე). გასინჯვის/მკურნალობის დროს, პროთეზი შეიძლება დატოვოთ TE-პუნქციის შიგნით. გაითვალისწინეთ, რომ რენტგენოკონტრასტული სარქვლის ბუდე რენტგენის სურათში ჩანს.

4.2 მოწყობილობის ექსპლუატაციის დრო

ცალკეული ბიოლოგიური გარემოებების გათვალისწინებით, მოწყობილობის ექსპლუატაციის დრო განსხვავდება და შეუძლებელია მოწყობილობის მთლიანობის წინასწარ განსაზღვრა ხანგრძლივი დროის განმავლობაში. მოწყობილობის მასალაზე გავლენას ახდენს, მაგ: ბაქტერია და საფუარი და მოწყობილობის სტრუქტურული მთლიანობა საბოლოოდ ზიანდება.

12 თვიანი საცდელი პერიოდის განმავლობაში სიმულირებული გამოყენების ლაბორატორიულმა შემოწმებამ აჩვენა, რომ ბაქტერიისა და საფუარის არარსებობის შემთხვევაში, მოწყობილობა თავის სტრუქტურულ მთლიანობას შეინარჩუნებს ამ პერიოდის განმავლობაში. არ ჩატარებულა მოწყობილობის ექსპლუატაციის შემოწმება 12 თვეზე ხანგრძლივი პერიოდით. განსაზღვრულ დროზე მეტ ხანს მოწყობილობის გამოყენება მხოლოდ უფლებამოსილი პირის გადაწყვეტილებითაა შესაძლებელი.

4.3 შეთავსებადობა სოკოს საწინააღმდეგო პრეპარატთან

ლაბორატორიულმა ტესტებმა აჩვენა მხოლოდ უმნიშვნელო უარყოფითი გავლენა Provox Vega-ს ხმის პროთეზისა და სხვა კომპონენტების ფუნქციაზე შემდეგი სოკოს საწინააღმდეგო პრეპარატების გამოყენებისას: ნისტატინი, ფლუკონაზოლი, მიკონაზოლი.

5. მოხსენება პრობლემის შესახებ

გთხოვთ გაითვალისწინოთ, რომ ნებისმიერი სერიოზული შემთხვევა, რომელიც გამოვლინდა მოწყობილობასთან დაკავშირებით, ეცნობება მწარმოებელს და იმ ქვეყნის ეროვნულ ორგანოს, სადაც მოხმარებელი და/ან პაციენტი ცხოვრობს.

Provox® Vega™

1. Նկարագրություն

1.1 Օգտագործման նպատակ

Provox Vega Voice Prosthesis-ը՝ մեկանգամյա օգտագործման, ստերիլ, իմպլանտավորվող ձայնային պրոթեզ է, որը նախատեսված է կոկորդի վիրահատական հեռացումից (լարինգեկտոմիա) հետո ձայնի վերականգնման համար: Պրոթեզի մաքրումը իրականացվում է հիվանդի կողմից՝ տեղադրված վիճակում:

Provox Insertion System -ը (տեղադրման համակարգը)՝ մեկանգամյա օգտագործման, ստերիլ սարք է, որը նախատեսված է Provox Vega Voice Prosthesis ձայնային պրոթեզի անտերոգրադ փոխարինման համար: Այդ գործողությունը իրականացվում է բժշկի կամ որակավորված բժշկական մասնագետի կողմից՝ տեղական և պետական նորմերին և կանոններին համապատասխան:

Provox Insertion System -ը նախատեսված չէ օգտագործել ձայնային պրոթեզը նոր բացված բացվածքի մեջ տեղադրելու համար:

1.2 Սարքի նկարագրություն

Ընդհանուր դրույթներ

Provox Vega-ն միակողմանի փական է (պրոթեզ), որը տրախեոտեզոֆագիալ բացվածքը բաց է պահում խոսելու համար և միաժամանակ նվազեցնում է հեղուկների և սննդի շնչափող ընկնելու վտանգը: Provox Vega ձայնային պրոթեզը մշտական տեղադրման պրոթեզ չէ և պետք է պարբերաբար փոխարինվի: Առկա է պրոթեզի տարբեր տրամաչափերի և տարբեր երկարության մի քանի տարբերակ (Նկար 1): Սարքը պատրաստված է բժշկական սիլիկոնից և ֆտորոպլաստից:

Provox Vega փաթեթ

Provox Vega փաթեթը ներառում է հետևյալ բաղադրիչները՝

- 1 Provox Vega ձայնային պրոթեզ՝ նախապես հավաքված մեկանգամյա օգտագործման Provox Insertion System տեղադրման համակարգի մեջ, ստերիլ (Նկար 2)
- 1 Provox Brush (խոզանակ)՝ ձայնային պրոթեզի չափսերին համապատասխան, ոչ ստերիլ
- 1 Provox Vega-ի օգտագործման՝ բժշկի ձեռնարկ
- 1 Provox Vega-ի օգտագործման՝ հիվանդի ձեռնարկ
- 1 Provox Brush խոզանակի օգտագործման ձեռնարկ

1.3 ՀԱԿԱՑՈՒՑՈՒՄՆԵՐ

Provox Vega ձայնային պրոթեզի օգտագործման և փոխարինման համար չկան ի հայտ եկած հակացուցումներ այն հիվանդների պարագայում, որոնք արդեն օգտագործել են ձայնը վերականգնող պրոթեզներ:

1.4 ԶԳՈՒՇԱՑՈՒՄՆԵՐ

- **Provox Vega ձայնային պրոթեզը կարող է տեղաշարժվել կամ դուրս մղվել տրախեոտեզոֆագիալ բացվածքից, դրա հետևանքով կարող է առաջանալ սարքը կուլ տալու, ներս շնչելու կամ հյուսվածքները վնասելու վտանգ:** Շնչառական ուղիներում հայտնված օտար մարմինը կարող է լուրջ բարդացումներ առաջացնել, օրինակ՝ սուր շնչառական դիսթրես և/կամ շնչառության կանգ:
- **Ընտրել՝ ճիշտ չափսի պրոթեզ:** Չափազանց կիպ տեղադրված պրոթեզը կարող է հանգեցնել հյուսվածքների նեկրոզի և իմպլանտի դուրս մղմանը:
- **Հիվանդը պետք է անմիջապես դիմի բժշկի,** եթե նկատվում են հյուսվածքների այտուցի և/կամ բորբոքային պրոցեսի/ինֆեկցիայի նշաններ:
- **Հիվանդը պետք է անմիջապես դիմի բժշկի,** եթե առկա է արտահոսք ձայնային պրոթեզից կամ դրա հարակից հատվածից: Արտահոսքը կարող է հանգեցնել ասպիրացիոն թոքաբորբի:
- **Եթե օգտագործելի է, վերցրեք համապատասխանաբար այնպիսի ձև ու չափ ունեցող լարինգեկտոմիայի խողովակներ կամ պարանոցի բացվածքի խցաններ,** որպեսզի այդ խողովակների կամ խցանների հեռացման և փոխարինման ժամանակ դրանք չսեղմեն պրոթեզին կամ չհավեն պրոթեզի՝ շնչափողին հարող եզրին: Դրա հետևանքով հյուսվածքները կարող են վնասվել կամ պրոթեզը կարող է կուլ գնալ:
- **Սարքը սպասարկելու համար հիվանդը պետք է օգտագործի միայն Provox ապրանքանշանով՝ օրիգինալ, համապատասխան չափսերի պարագաներ** (խոզանակ, լվացման պարագաներ, խցաններ) և գերծ մնալ չնախատեսված գործողություններ կատարողուց:
- **Կրկնակի օգտագործումը և մշակումը կարող է հանգեցնել սարքի աղտոտմանը, ինչը կարող է վնաս հասցնել հիվանդին:**

1.5 ՆԱԽԱԶԳՈՒՇՈՒԹՅԱՆ ՄԻՋՈՑՆԵՐ.

- Հնարավոր արյունահոսությունից խուսափելու համար՝ պրոթեզը տեղադրելուց կամ փոխարինելուց առաջ մանրամասն հետազոտեք ցանկացած հիվանդի, ով ունի արյան մակարդման հետ կապված խնդիրներ կամ ստացել է հակակոագուլյանտային բուժում:

- Չննե՞ք սարքի փաթեթավորումը բացելուց առաջ: Եթե փաթեթավորումը վնասված է կամ բացված է՝ մի՛ օգտագործեք սարքը:
- Վարակման/աղտոտման ռիսկը նվազեցնելու համար՝ պրոթեզի հետ աշխատելիս միշտ կիրառեք մանրէազերծման միջոցներ:

2. Օգտագործման հրահանգներ

2.1 Ձայնային պրոթեզի չափսի ընտրություն

Փոխարինվող պրոթեզի առանցքի տրամաչափի և երկարության ընտրություն
 Համոզվեք, որ ընտրել եք առանցքի ճիշտ տրամաչափի և երկարություն ունեցող Provox Vega ձայնային պրոթեզ: Առկա են մի քանի չափսերի Provox Vega պրոթեզներ՝ առանցքի տարբեր տրամաչափերով և տարբեր երկարությամբ:

• Առանցքի տրամաչափի ընտրություն

Բժիշկը որոշում է պրոթեզի ճշգրիտ տրամաչափը, որը համապատասխանում է հիվանդին:

Եթե ընտրվում է պրոթեզ, որի տրամաչափը ավելի մեծ է նախկինում տեղադրված պրոթեզի տրամաչափից, ապա բացվածքը պետք է լայնացվի՝ Provox Dilator սարքի միջոցով:

Եթե ընտրվում է պրոթեզ, որի տրամաչափը ավելի փոքր է նախկինում տեղադրված պրոթեզի տրամաչափից, ապա անհրաժեշտ է համոզվել, որ բացվածքը սեղմվել է և համապատասխանում է անհրաժեշտ տրամաչափին:

• Առանցքի երկարության ընտրություն

Ճիշտ երկարություն ընտրելու համար՝ որպես չափման գործիք կարող եք օգտագործել Ձեր նախկին պրոթեզը:

Եթե նախկին պրոթեզի՝ շնչափողին հարող եզրից մինչև լորձաթաղանթն ընկած տարածությունը չափազանց մեծ է, այսինքն (3 մմ/~0.12 դյույմ կամ ավելի), ապա պետք է ընտրել ավելի կարճ պրոթեզ: Եթե նախկին պրոթեզը շատ կիպ էր նստում, ապա պետք է ընտրել ավելի երկար պրոթեզ:

2.2 ՆԱԽԱՊԱՏՐԱՍՏՈՒՄ

(Նկար 3-6)

Տեղադրեք ձայնային պրոթեզը

1. ձայնային պրոթեզը պատշաճ ձևով տեղադրված է ներդրման ձողի վրա, շատ լավ ամրեցված է, և, տեղադրման ձողի ծայրի հետ միասին, ամբողջովին ներդրված է ձայնային պրոթեզի կապույտ օղակի մեջ (Նկար 3):

Ծայր կերակրափողին հարող եզրը

2. Փեղկավոր գործիքի միջոցով ստուգեք և համոզվեք, որ ներդրման ձողը ճիշտ դիրքով է տեղադրված (ներդրման ձողը պետք է սեղմված լինի գործիքի ներսում):
3. Փեղկավոր գործիքը սեղմեք երկու մատով (Նկար 4)
4. Փակցրե՞ք ներբեռնման խողովակը՝ փակ պահելով փեղկավոր գործիքը, ապա պտտե՞ք նորբեռնող խողովակը, որպեսզի այն ֆիքսվի իր տեղում (Նկար 5). (Կիրառելի չէ պատիճի ներդրման դեպքում)

Ներբեռնում

5. Առաջ հրեք ներդրման ձողը, մինչև ձայնային պրոթեզը հավասարվի ներբեռնման խողովակի տեսանելի օղակին (Նկար 6): (Կիրառելի չէ պատիճի ներդրման դեպքում)

Հեռացրեք հին ձայնային պրոթեզը

6. Հեռացրե՞ք ներկայումս օգտագործվող (հին) պրոթեզը տրախտեղճագոֆագիալ բացվածքից՝ արյունահոսությունը կանգնեցնող սեղմիչով (առանց ատամների): Որպես այլընտրանք՝ բժշկի որոշումով, կարելի է աքցանով բռնել պրոթեզի՝ շնչափողին հարող եզրը և կտրել այն: Պրոթեզի մնացած մասը ներս է հրվում դեպի կերակրափող՝, այնուհետև այն անցնում է աղիների միջով: Այս մեթոդը կիրառելուց առաջ անհրաժեշտ է հաշվի առնել հիվանդի ունեցած բոլոր աղիքային հիվանդություններն ու խնդիրները:

Նախապատրաստեք վզի բացվածքը (անհրաժեշտության դեպքում)

7. Եթե դրա կարիքը կա, վզի բացվածքը կարող է լայնացվել՝ պրոթեզը տեղադրելու համար: Դա պարտադիր գործողություն չէ, բայց կարող է հեշտացնել պրոթեզի տեղադրումը այն հիվանդների մոտ, ում պարանոցի բացվածքը ունի ծոված եզրեր կամ շատ նեղ է:

2.3 Տեղադրում, Անտերոգրադ փոխարինման գործողություն

Provox Vega ձայնային պրոթեզը՝ Provox Insertion System տեղադրման համակարգի միջոցով կարելի է տեղադրել 4 տարբեր մեթոդներով: Մեթոդի ընտրությունը կատարվում է բժշկի հայեցողությամբ:

- 2.3.1 Համակարգի տեղադրում՝ Օգտագործվում է տեղադրման ամբողջական համակարգը:
- 2.3.2 Խողովակի տեղադրում՝ Տեղադրումից առաջ փեղկավոր գործիքը հեռացվում է
- 2.3.3 Հետադարձ տեղադրում՝ Ձայնային պրոթեզը ամբողջությամբ տեղադրվում է կերակրափողում, այնուհետև հետ է բերվում դեպի իր նախատեսված դիրքը:
- 2.3.4 Պատիճի տեղադրում՝ Տեղադրումից առաջ ձայնային պրոթեզը դրվում է Provox Capsule պատիճի մեջ:

2.3.1 Մեթոդ 1: Համակարգի տեղադրում

1. Մուտք գործել տրախեոէզոֆագիալ բացվածք

Ներբեռնման խողովակով բռնել Provox Insertion System տեղադրման համակարգը: Ներբեռնման խողովակի ծայրը գզուշորեն մտցրեք բացվածքի մեջ: Չգույշ եղեք, եթե խոչընդոտի հանդիպեք: Եթե կա խոչընդոտ, ապա տեղադրումը կարող է հեշտացվել լայնացման կամ քսուկի օգտագործման միջոցով:

2. Ներդրել ձայնային պրոթեզը

Մի ձեռքով բռնել ներբեռնման խողովակը, իսկ մյուս ձեռքով հրեք ներդրման ձողը՝ մինչև դիստալ բռնակի վրայի սլաքները կհամընկնեն փեղկավոր գործիքի ներքևի եզրի հետ (Նկար 7): Այս փուլում պրոթեզի կերակրափողին հարող եզրը լրիվ բացվում է կերակրափողի մեջ:

3. Բաց թողել ձայնային պրոթեզը

Միախին դուրս հանեք ներբեռնման խողովակն ու փեղկավոր գործիքը՝ պարանոցի բացվածքից: Ձայնային պրոթեզը մնում է պարանոցի բացվածքի մեջ, ամուր փակցված ներդրման ձողին:

4. Ավարտել գործողությունը

Պրոթեզը ներդնելուց հետո ավարտել գործողությունը, ինչպես նկարագրված է ստորև՝ 2.5 բաժնում:

2.3.2 Մեթոդ 2: Խողովակի տեղադրում

Տեսանելիությունը բարելավելու համար փեղկավոր գործիքը կարելի է հեռացնել՝ պրոթեզը ներբեռնման խողովակի մեջ հրելուց հետո:

Ծանոթագրություն. Պրոթեզի կերակրափողին հարող եզրի պատշաճ ծավալման ապահովելու համար, կարևոր է Provox Insertion System տեղադրման համակարգը միշտ օգտագործել փեղկավոր գործիքի հետ, որը կցվում է պրոթեզը ներբեռնելու ժամանակ:

1. Հեռացրեք փեղկավոր գործիքը

Հեռացրեք փեղկավոր գործիքը՝ այն բացելով և անջատելով ներբեռնման խողովակից (Նկար 8):

2. Մուտք գործել տրախեոէզոֆագիալ բացվածք

Ներբեռնման խողովակով բռնել Provox Insertion System տեղադրման համակարգը: Ներբեռնման խողովակի ծայրը գզուշորեն մտցրեք բացվածքի մեջ: Չգույշ եղեք, եթե խոչընդոտի հանդիպեք: Եթե կա խոչընդոտ, ապա տեղադրումը կարող է հեշտացվել լայնացման կամ քսուկի օգտագործման միջոցով:

3. Ներդրել ձայնային պրոթեզը

Մյուս ձեռքով հրեք ներդրման ձողը՝ մինչև դիստալ բռնակի վրայի սլաքները կհամընկնեն ներբեռնման խողովակի հետ (Նկար 9): Այս փուլում պրոթեզի կերակրափողին հարող եզրը լրիվ բացվում է կերակրափողի մեջ:

4. Բաց թողել ձայնային պրոթեզը

Մի ձեռքով պահեք ներբեռնման խողովակը, մյուս ձեռքով՝ ներդրման ձողը: Հետ քաշեք ներբեռնման խողովակը և ներդրման ձողը, մինչև կզգաք, որ կերակրափողին հարող եզրը հասել է կերակրափողի առաջնային պատին: Այնուհետև, բաց թողեք ներդրման ձողն ու քաշեք ներբեռնման խողովակը՝ անմիջապես դուրս հանելով պարանոցի բացվածքից: Դա թույլ կտա արձակել պրոթեզի՝ շնչափողին հարող եզրը:

Ծանոթագրություն. Եթե շնչափողին հարող եզրը բացվում է կերակրափողի մեջ կամ պարանոցի բացվածքի մեջ (չնախատեսված շեղում), ապա բռնել շնչափողին հարող եզրը՝ արյունահոսությունը կանգնեցնող սեղմիչով (առանց ատամների) և քաշեք/պտտեք ձայնային պրոթեզը՝ զցելող իր տեղը:

5. Ավարտել գործողությունը

Պրոթեզը տեղադրելուց հետո ավարտել գործողությունը, ինչպես նկարագրված է ստորև՝ 2.5 բաժնում:

2.3.3 Մեթոդ 3: Հետադարձ տեղադրում

Բարդ տրախեոէզոֆագիալ բացվածքում պրոթեզի կերակրափողին հարող եզրի բացումը ապահովելու համար, որոշ դեպքերում կատարվում է Provox Vega ձայնային պրոթեզի հետադարձ տեղադրում:

1. Հեռացրեք փեղկավոր գործիքը (անհրաժեշտության դեպքում)

Պրոթեզն ներբեռնման խողովակի հրելուց հետո, հեռացրեք փեղկավոր գործիքը՝ այն բացելով և անջատելով ներբեռնման խողովակից (Նկար 8):

2. Մուտք գործել տրախեոէզոֆագիալ բացվածք

Ներբեռնման խողովակով բռնել Provox Insertion System տեղադրման համակարգը: Ներբեռնման խողովակի ծայրը գզուշորեն մտցրեք բացվածքի մեջ: Չգույշ եղեք, եթե խոչընդոտի հանդիպեք: Եթե կա խոչընդոտ, ապա տեղադրումը կարող է հեշտացվել լայնացման կամ քսուկի օգտագործման միջոցով:

3. Ներդրել ձայնային պրոթեզը

Մի ձեռքով բռնել ներբեռնման խողովակը, մյուս ձեռքով՝ հրեք ներդրման ձողը, մինչև հասնել պրոթեսիմալ բռնակի մակերեսին (Նկար 10): Այս փուլում ձայնային պրոթեզը լրիվ բացված է կերակրափողի մեջ (Նկար 11). Եթե հետադարձ տեղադրումը կատարվում է փեղկավոր գործիքի օգնությամբ, հրեք ներդրման ձողը՝ մինչև հասնել դիստալ բռնակի մակերեսին: Այս փուլում ձայնային պրոթեզը լրիվ բացված է կերակրափողի մեջ (Նկար 12).

4. Բաց թողել ձայնային պրոթեզը

Քաշեք ներբեռնման խողովակը՝ անմիջապես դուրս հանելով պարանոցի բացվածքից: Պրոթեզը մնում է պարանոցի բացվածքի մեջ, ամուր փակցված ներդրման ձողին: Բռնել շնչափողին հարող եզրը՝ արյունահոսությունը կանգնեցնող սեղմիչով (առանց ատամների) և քաշեք/պտտեք ձայնային պրոթեզը՝ զցելող իր տեղը:

5. Ավարտել գործողությունը

Պրոթեզը տեղադրելուց հետո ավարտել գործողությունը, ինչպես նկարագրված է ստորև՝ 2.5 բաժնում:

2.3.4 Մեթոդ 4: Պատիճի տեղադրում

Օգտագործման նպատակը

Provox Capsule-ը մեկանգամյա օգտագործման հավելյալ պարագա է՝ նախատեսված լարինգեկտոմիայով հիվանդի տրախեոէզոֆագիալ բացվածքում բժշկի կողմից ստանդարտ ձայնային պրոթեզի արտերոգրադ տեղադրման համար:

Սարքի նկարագրությունը

Provox Capsule-ները պատրաստված են ջրում լուծվող բուսական ծագման նյութից, ունեն տարբեր չափեր՝ ձայնային պրոթեզի երեք տարբեր տրամագծերին համընկնելու համար՝ 17, 20 և 22.5 Ֆմ:

ԶԳՈՒՇԱՑՈՒՄՆԵՐ

- Միշտ համոզվեք, որ ձայնային պրոթեզը ծալված է ճիշտ և պատշաճ տեղադրված Provox Capsule-ում, նախքան տեղադրումը: Եթե Provox Capsule-ը վաղաժամ պոկվի, այն կարող է հեռացվել: Նկատի ունեցեք, որ քսանյութերը կարող են փոխարինել Capsule-ի կցումը:
- Մի օգտագործեք Provox Capsule-ը, եթե առկա է վարակման կասկած:
- Մի օգտագործեք Provox Capsule-ները, եթե փաթեթը կամ պատիճները վնասված տեսք ունենան:
- Համոզվեք, որ ձայնային պրոթեզը գործաձական է TE-բացվածքում տեղադրելուց հետո: Միշտ հետևեք անվտանգության նախագրուշացումներին՝ նկարագրված տեղադրումից հետո ձայնային պրոթեզի օգտագործման հրահանգներում:

ՆԱԽԱԶԳՈՒՇԱՑՈՒՄ

- Մի օգտագործեք սուր պարագաներ՝ էզոֆագեալ կափույրը Provox Capsule-ում տեղադրելու համար, քանի որ սա կարող է վնասել ձայնային պրոթեզը:
- Միայն օգտագործեք ձայնային պրոթեզի տրամագծի նույն չափով կամ մեկ չափ ավելի մեծ Provox Capsule:

Provox Insertion System տեղադրման համակարգի փեղկավոր գործիքը օգտագործվում է Provox Vega ստանդարտ պրոթեզի՝ կերակրափողին հարող եզրը Provox Capsule* պատիճի մեջ ծալելու համար: Այս գործողության մեջ ներբեռնման խողովակը չի օգտագործվում:

1. Ներդրեք պրոթեզը Provox Capsule պատիճի մեջ

Թափեք Provox Capsule-ի երկար մասը և տեղադրման համար օգտագործեք կարճ մասը: Փեղկավոր գործիքը սեղմեք երկու մատով և պատիճը տեղադրեք փեղկավոր գործիքի անցքի մեջ (Նկար 13) Սեղմած պահելով փեղկավոր գործիքը՝ պատիճը ցուցամատով ուղղելը դեպի ներքև (Նկար 14): Այսպես, օգտագործեք Provox TwistLock-ը՝ Folding Tool-ը համատեղ պահելու համար: Ներդրման ձողը հրեք դեպի առաջ; այս գործողությամբ ձայնային պրոթեզի՝ կերակրափողին հարող եզրը ներբեռնվում է պատիճի մեջ:

2. Ստուգեք ներբեռնման ճշգրտությունը

Ձայնային պրոթեզը այժմ ներբեռնված է Provox Capsule պատիճի մեջ և փեղկավոր գործիքը կարող է հեռացվել ներդրման ձողից: Համոզվեք, որ պրոթեզի՝ կերակրափողին հարող եզրը գտնվում է պատիճի մեջ (Նկար 15): Եթե ձայնային պրոթեզը ճիշտ չէ տեղադրված, ապա ներբեռնման գործողությունը պետք է կրկնել՝ վերցնելով նոր Provox Capsule պատիճ: Համոզվեք, որ ձայնային պրոթեզի ժապավենը ամրացված է ներդրման ձողին՝ նախատեսված պրոթեզը բացվածքում տեղադրելու համար:

3. Հեռացրեք հին ձայնային պրոթեզը և նախապատրաստեք TE բացվածքը (տես Բաժին 2.2, կետ 6 և 7):

4. Տեղադրեք Provox Capsule-ը բացվածքում:

Պահեք ձայնային պրոթեզը ամբողջովին տեղադրված դիրքում, քանի դեռ Provox Capsule-ը չի լուծվել, իսկ էզոֆագեալ կափույրն ամբողջովին չի բացվել: Թեթևակի քաշեք ձայնային պրոթեզի ժապավենից՝ համոզվելու, որ այն ճիշտ դիրքում է:

5. Բաց թողեք ձայնային պրոթեզը

Հեռացրեք ներդրման ձողը ձայնային պրոթեզից: Ձայնային պրոթեզը կմնա բացվածքում:

6. Ավարտեք գործողությունը

Պրոթեզը տեղադրելուց հետո ավարտեք գործողությունը, ինչպես նկարագրված է ստորև՝ 2.5 բաժնում:

* Հասանելի չէ որոշ երկրներում:

2.4 Provox Insertion System տեղադրման համակարգի հավաքում և վերաբեռնում

Եթե Provox Vega ձայնային պրոթեզը տրախեոէզոֆագիալ բացվածքի մեջ տեղադրելու առաջին փորձը անհաջող էր, ապա կարելի է վերաբեռնել ձայնային պրոթեզը Provox Insertion System տեղադրման համակարգի մեջ:

Տեղադրեք ձայնային պրոթեզը

1. Տեղադրեք ձայնային պրոթեզը շնչափողի կողմից, ներդրման ձողի վերևի մասում՝ շրջված դեպի վար:
2. Ամրացրեք անվտանգության ժապավենը, այն անցկացնելով ամրացման ճեղքի միջով:
3. Համոզվեք, որ ձայնային պրոթեզը պատշաճ ձևով տեղադրված է ներդրման ձողի վրա, շատ լավ ամրեցված է, և, տեղադրման ձողի ծայրի հետ միասին, ամբողջովին ներդրված է ձայնային պրոթեզի կապույտ օղակի մեջ (Նկար 3):

Միացրեք փեղկավոր գործիքը

4. Ներդրման ձողը անցկացրեք փեղկավոր գործիքի անցքի մրջով, մինչև շրխկոցով նստի իր տեղը: Քաշեք ձողը՝ մինչև որ այն շրխկոցով նստի փեղկավոր գործիքի մեջ (Նկար 16): Provox Insertion System տեղադրման համակարգը այժմ պատրաստ է նախապատրաստական աշխատանքների համար: Շարունակեք նախապատրաստական աշխատանքները, ինչպես նկարագրված է 2.2 բաժնում:

ԶԳՈՒՇԱՅՑՈՒՄ Արգելվում է վերաբեռնել երկու անգամից ավելի: Եթե Provox Vega -ն որևէ վնասվածք ունի, մի՛ օգտագործեք պրոթեզը:

2.5 Գործընթացի ավարտը

Ներդրումից հետո.

Ստուգեք, արդյոք պրոթեզը ճիշտ է նցտած բացվածքի մեջ

1. Սուգեք պրոթեզի պատշաճ տեղադրումը՝ գգուշորեն պտտելով և քաշելով ներդրման ձողը (Նկար 17): Պրոթեզը ճիշտ է տեղադրված այն դեպքում, երբ անվտանգության ժապավենը ուղղված է դեպի ներքև:

Աշխատանքի փորձարկում

2. Մաքրեք Provox Vega պրոթեզը Provox Brush խոզանակով: Փորձարկելու համար խնդրեք, որպեսզի հիվանդը խոսի, ինչպես նաև ստուգեք, որպեսզի հեղուկ խմելիս պրոթեզից արտահոսք չլինի (Նկար 18):

Կտրեք անվտանգության ժապավենը

3. Երբ համոզվեք, որ պրոթեզը ճիշտ է տեղադրված և այն նորմալ գործում է, կտրեք անվտանգության ժապավենը այնպես, որ նա հավասար լինի պրոթեզի՝ շնչափողին հարող եզրին (Նկար 19): Provox Vega ձայնային պրոթեզը այժմ պատրաստ է օգտագործման համար:

2.6 Թափոնացում

Միշտ հետևեք բժշկական խորհուրդներին և կենսաբանական վտանգներին վերաբերող ազգային օրենսդրական պահանջներին օգտագործված բժշկական սարքերի թափոնացման ժամանակ:3. Կարևոր տեղեկատվություն հիվանդի համար:

3.1 Ընդհանուր տեղեկություններ

Հիվանդը պետք է անհապաղ դիմի իր բժշկին, եթե՝

- Եթե առկա է արտահոսք ձայնային պրոթեզից կամ դրա հարակից հատվածից (հագ և/կամ լորձի գույնի փոփոխություն).
- Խոսելը դժվար է դառնում (ավելի շատ ջանքեր են պահանջվում խոսելու համար կամ ձայնը լարված է հնչում).
- Եթե կան հարակից հյուսվածքների բորբոքման նշաններ բացվածքի շրջանում կամ բերանի շրջանում (ցավ, կարմրություն, ջերմություն, արյան հետքեր, այտուց).

Նաև տեղեկացրեք հիվանդին, որ

- Պրոթեզը վերատեղադրելուց/փոխարինելուց հետո խորխի մեջ կարող են լինել արյան հետքեր Դա կարող է լինել տրախեոտեզոֆագիալ բացվածքի եզրին գրանուլացիոն հյուսվածքի հետևանքով:
- Provox Vega Plug խցանը կարող է դրվել՝ արտահոսքը ժամանակավորապես կանգնեցնելու համար:
- Խորհուրդ է տրվում հիվանդի հետ անցկացնել պրոթեզով խոսելու ունակությունները զարգացնող դասընթացներ, խորհուրդներ տալ խոսքը ավելի հստակ ու հասկանալի դարձնելու համար:

3.2 Պրոթեզի սպասարկումը

Հիվանդին բացատրեք, թե ինչպես և երբ պետք է մաքրել Provox Vega ձայնային պրոթեզը: Օրական առնվազն երկու անգամ մաքրելը կերկարացնի պրոթեզի օգտագործման ժամկետը:

ԶԳՈՒՇԱՅՑՈՒՄ Provox Vega պրոթեզը մաքրելու համար օգտագործեք միայն Provox ընկերության օրիգինալ պարագաներ:

- Օրը երկու անգամ պետք է մաքրել պրոթեզը Provox Brush խոզանակով՝ հետացնելու համար լորձի և սննդի մնացորդները:
- Լվացեք պրոթեզը Provox Flush լվացման միջոցով, ինչը կօգնի երկարացնել պրոթեզի օգտագործման ժամկետը:
Ծանոթագրություն. Provox Flush լվացման միջոցը պետք է օգտագործել միայն այն հիվանդները, ովքեր ՝ բժշկի գնահատմամբ, լիովին հասկացել են օգտագործման հրահանգները, հստակ կարող են կատարել դրանք և ի վիճակի են պատշաճ ձևով կատարել բոլոր անհրաժեշտ գործողությունները:
- Անհրաժեշտ է կիրառել որոշ սննդակարգային կանոններ, օրինակ՝ ամեն օր յոգուրտի կամ կեֆիրի օգտագործումը նվազեցնում է սնկերի աճը:

Ավելի մանրամասն տեղեկություններ ստանալու համար ծանոթացեք Provox Vega,-ի յուրաքանչյուր պարագայի համար ներկայացվող օգտագործման հրահանգներին:

4. Լրացուցիչ տեղեկատվություն

4.1 Համատեղելիությունը ՄՌՏ-ի, ռենտգեն-ի և ճառագայթային թերապիայի հետ

Provox Vega ձայնային պրոթեզը փորձարկվել և ճանաչվել է համատեղելի ՄՌՏ (մինչև 3 Tesla) ռենտգենյան և ճառագայթային թերապիայի հետ (մինչև 70 Գր): Այս հետազոտությունների ընթացքում պրոթեզը կարելի է թողնել տրախեոտեզոֆագիալ բացվածքի մեջ: Նկատի ունեցեք, որ ռենտգենյան ճառագայթների համար անթափանց ֆտորոպլաստից փականի նեցուկը տեսանելի է ռենտգենյան ճառագայթների համար:

- Səs protezində və ya onun ətrafında sızma meydana gəldiyi təqdirdə, **xəstəyə dərhal həkimə müraciət etməsi barədə təlimat verin**. Sızma aspirasiya pnevmoniyasına səbəb ola bilər.
- **İstifadə edildikdə, larenqektomiya borularını və ya stoma düymələrini seçin** — onlar protezə təzyiqli göstərməyən və ya larenqektomiya borusunun və ya stoma düyməsinin yerləşdirilməsi və çıxarılması zamanı protezin traxéal flansı üzərində tutulan uyğun formaya malik olmalıdır. Bu, ağır toxuma zədələnməsinə gətirib çıxara bilər.
- Baxım üçün və bütün digər növ manipulyasiyalardan qaçınmaq üçün **xəstəyə yalnız müvafiq ölçülü orijinal Provox aksesuarları istifadə etməsi barədə təlimat verin** (Brush, Flush, Plug).
- Cihazın **təkrar istifadəsi və təkrar işlədilməsi** onun çirklənməsi və zədələnməsinə səbəb ola bilər, bu da xəstəyə zərər gətirə bilər.

1.5 EHTİYAT TƏDBİRLƏRİ.

- Protezin yerləşdirilməsi və ya dəyişdirilməsindən əvvəl qanaxma və ya qanaxma riskinə qarşı antikoagulyant müalicə görən qanaxma xəstəlikləri olan istənilən xəstəni diqqətlə qiymətləndirin.
- İstifadə etməzdən əvvəl dəsti yoxlayın. Dəst zədələnmiş və ya açılmışsa, məhsulu istifadə etməyin.
- İnfeksiya riskini azaltmaq məqsədilə, protez istifadə edərkən həmişə aseptik üsuldən istifadə edin.

2. İstifadə təlimatları

2.1 Səs protezinin ölçüsünü seçin

Dəyişdirilən protezin düzgün mil diametri və uzunluğunun seçilməsi

Müvafiq mil diametrlili və uzunluqlu Provox Vega səs protezindən istifadə etdiyinizə əmin olun. Provox Vega müxtəlif mil diametrlərində və bir neçə uzunluqda mövcuddur.

• Mil diametrinin seçilməsi

Müalicə həkimi protezin xəstəyə uyğun gələn düzgün diametrini təyin etməlidir.

Seçilmiş diametr əvvəlki protezdən daha böyükdürsə, keçid (trakt) Provox Dilator vasitəsilə yerləşdirilmiş protezin diametrinə uyğun genişləndirilməlidir.

Daha kiçik mil diametri olan protez yerləşdirilsə, müşahidə edin və dəliyin müvafiq diametrə yığılmasını təmin edin.

• Mil uzunluğunun seçilməsi

Düzgün uzunluğu seçmək üçün, mövcud protezi öz ölçü cihazı kimi istifadə edə bilərsiniz.

Köhnə protez və selikli qışa divarının traxéal flansı arasında çox yer olarsa (yəni 3 mm/~0,12 düym və ya daha çox), daha qısa protez istifadə edilməlidir. Protez çox kipi oturduğu halda, daha uzun protez istifadə edilməlidir.

2.2 Hazırlıq

(Şək. 3–6)

Səs protezini yerləşdirin

1. Səs protezinin Yerləşdirilmə Sancağı üzərində düzgün yerləşdirilməsini, möhkəm bağlanmasını və sancağın ucunun isə səs protezinin mavi halqasına tamamilə yerləşdirildiyini təmin edin. (Şək. 3).

Esofagial flansı qatlayın

2. Yerləşdirilmə Sancağının Qatlama Aləti ilə düzgün yerləşdirildiyini yoxlayın (Sancaq Qatlama Alətinə bərkidilməlidir).
3. İki barmağınızla Qatlama Alətini sıxın (Şək. 4)
4. Qatlama Alətini bağlı saxlayaraq yükləmə borusunu əlavə edin və yükləmə borusunu yerində kilidlənənə qədər fırladın (Şək. 5). (Kapsullu Yerləşdirilmə üçün tətbiq edilə bilməz)

Yükləmə

5. Yükləmə borusunu səs protezinin Qatlama Aləti üzərindəki görünən halqası ilə düzlənənə qədər itələyin (Şək. 6). (Kapsullu Yerləşdirilmə üçün tətbiq edilə bilməz)

Köhnə səs protezini çıxarın

6. Mövcud (köhnə) protezi TE-dəlikdən dişsiz qanaxmanı dayandıran sıxac ilə dartaraq çıxarın. Alternativ olaraq, müalicə həkiminin mülahizəsinə görə, protezin traxéal flansı cərrah maşası ilə tutula və kəsilə bilər. Sonra protezin qalan hissəsi bağırsağ traktından keçmək üçün esofaqusa itələnir. Bu üsuldən istifadə etməzdən əvvəl xəstənin hər hansı bağırsağ xəstəliyi ilə bağlı tarixi nəzərə alınmalıdır.

Dəliyi hazırlayın (istəyə bağlı)

7. Səs protezini yerləşdirməyə hazırlamaq üçün dəlik genişləndirilə bilər. Bu, adətən zəruri deyil, lakin asanlıqla yığıla bilən maili və ya kipi dəlikli xəstələrdə yerləşdirməni asanlaşdırıla bilər.

2.3 Yerləşdirilmə, Vaxtında yönəldilmiş dəyişdirilmə proseduru

Provox Insertion System ilə Provox Vega səs protezinin yerləşdirilməsi üçün dörd üsuldən istifadə edilə bilər. Üsulun seçimi müalicə həkiminin mülahizəsinə bağlıdır.

2.3.1 Sistem Yerləşdirilməsi: Bütün yerləşdirilmə sistemi istifadə olunur.

2.3.2 Boru Yerləşdirilməsi: Qatlama Aləti yerləşdirilməzdən əvvəl çıxarılır.

2.3.3 Aşırı itələməklə Yerləşdirilmə: Bütün səs protezi esofaqusa yerləşdirilir və sonra nəzərdə tutulan mövqeyədək geri çəkilir.

2.3.4 Kapsullu Yerləşdirilmə: Səs protezi yerləşdirilməzdən əvvəl Provox Capsule-un içinə yerləşdirilir.

2.3.1 Üsul 1: Sistem Yerləşdirilməsi

1. TE-dəliyə daxil olun

Provox Insertion System-i Yükləmə Borusu ilə saxlayın. Yükləmə Borusu ucluğu ilə dəliyə daxil olun. Müqavimətlə qarşılaşdığınız təqdirdə ehtiyatla davam edin. Müqavimət olduqda, genişləndirmə və/və ya yağlama yerləşdirməni asanlaşdırıla bilər.

2. Səs protezini yerləşdirin

Bir əlinizlə Yükləmə Borusunu sabit saxlayın və digər əlinizlə Yerləşdirmə Sancağını Distal tutma səthindəki oxlar Qatlama Alətinin alt kənarı ilə eyni səviyyəyə gələndə qədər itələyin (Şək. 7). Bu nöqtədə səs protezinin esofagial flansı esofaqusda tamamilə açılır.

3. Səs protezini buraxın

Yükləmə Borusunu və Qatlama Alətini düz şəkildə dəlikdən dartın. Səs protezi dəlikdə qalır; hələ də Yerləşdirmə Sancağına möhkəm bərkidilib.

4. Proseduru yekunlaşdırın

Yerləşdirmədən sonra, proseduru aşağıda bölmə 2.5-də təsvir olunmuş qaydada yekunlaşdırın.

2.3.2 Üsul 2: Boru Yerləşdirilməsi

Görünməni artırmaq məqsədilə, Qatlama Aləti protez yükləmə borusuna itələndikdən sonra çıxarıla bilər.

Qeyd: Protezi yerləşdirilərkən esofaqus flansının düzgün qatlanması məqsədilə, Qatlama Aləti ilə təchiz olunmuş Provox Insertion System-dən həmişə istifadə etmək vacibdir.

1. Qatlama Alətini çıxarın

Qatlama Alətini Yükləmə Borusundan blokdan açmaqla və ayırmaqla çıxarın (Şək. 8).

2. TE-dəliyə daxil olun

Provox Insertion System-i Yükləmə Borusu ilə saxlayın. Yükləmə Borusu ucluğu ilə dəliyə daxil olun. Müqavimətlə qarşılaşdığınız təqdirdə ehtiyatla davam edin. Müqavimət olduqda, genişləndirmə və/və ya yağlama yerləşdirməni asanlaşdırıla bilər.

3. Səs protezini yerləşdirin

Digər əlinizlə Yerləşdirmə Sancağını Proksimal tutma səthindəki oxlar Qatlama Aləti ilə eyni səviyyəyə gələndə qədər itələyin (Şək. 9). Bu nöqtədə səs protezinin esofagial flansı esofaqusda tamamilə açılır.

4. Səs protezini buraxın

Bir əlinizlə Yükləmə Borusunu və digər əlinizlə Yerləşdirmə Sancağını saxlayın. Yükləmə Borusu və Yerləşdirmə Sancağının hər ikisini esofagial flansın ön esofagial divarına çatdığını hiss etdiyinizə qədər geri dartın. Sonra, Yerləşdirmə Sancağını buraxın və Yükləmə Borusunu birbaşa dəlikdən kənara dartın. Bu, traxéal flansı buraxacaq.

Qeyd: Traxéal flans esofaqus və ya dəlik daxilində açılsa (istənilməyən aşılma), traxéal flansı dişsiz qanaxmanı dayandıran sıxac ilə tutun və səs protezini yerinə dartın/fırladın.

5. Proseduru yekunlaşdırın

Yerləşdirmədən sonra, proseduru aşağıda bölmə 2.5-də təsvir olunmuş qaydada yekunlaşdırın.

2.3.3 Üsul 3: Aşırı itələməklə yerləşdirilmə

Provox Vega səs protezinin aşırı itələnməsi bəzən çətin TE dəliklərdə esofagial flansı tam inkişafını təmin etmək üçün həyata keçirilir.

1. Qatlama Alətini çıxarın (istəyə bağlı)

Protezin Yükləmə Borusunun içinə itələnməsindən sonra, Qatlama Alətini Yükləmə Borusundan blokdan açmaqla və ayırmaqla çıxarın (Şək. 8).

2. TE-dəliyə daxil olun

Provox Insertion System-i Yükləmə Borusu ilə saxlayın. Yükləmə Borusu ucluğu ilə dəliyə daxil olun. Müqavimətlə qarşılaşdığınız təqdirdə ehtiyatla davam edin. Müqavimət olduqda, genişləndirmə və/və ya yağlama yerləşdirməni asanlaşdırıla bilər.

3. Səs protezini yerləşdirin

Bir əlinizlə Yükləmə Borusunu sabit saxlayın və digər əlinizlə Yerləşdirmə Sancağını Proksimal tutma səthinin arxasına keçəndə qədər itələyin (Şək. 10). Bu nöqtədə səs protezi esofaqusa tamamilə yerləşir (Şək. 11).

Aşırı itələməklə yerləşdirilmə yığılmış Qatlama Aləti ilə həyata keçirilsə, Yerləşdirmə Sancağını Dismal tutma səthinin arxasına itələyin. Bu nöqtədə səs protezi esofaqusa tamamilə yerləşir (Şək. 12).

4. Səs protezini buraxın

Yükləmə Borusunu düz şəkildə dəlikdən dartın. Səs protezi esofaqusda qalır; hələ də Yerləşdirmə Sancağına möhkəm bərkidilib. Traxéal flansı dişsiz qanaxmanı dayandıran sıxac ilə tutun və səs protezini yerinə dartın/fırladın.

5. Proseduru yekunlaşdırın

Yerləşdirmədən sonra, proseduru aşağıda bölmə 2.5-də təsvir olunmuş qaydada yekunlaşdırın.

2.3.4 Üsul 4: Kapsullu Yerləşdirilmə

Nəzərdə tutulan istifadə

Provox Capsule standart səs protezinin laringektomiya edilmiş bir xəstənin traxeo-esofagial dəliyinə terapevt tərəfindən anteroqrad yerləşdirilməsi üçün tək istifadəlik köməkçi vasitədir.

Cihazın təsviri

Provox Capsule-lar bitki mənşəli suda həll oluna bilən materialdan hazırlanır və üç diametrdə (17, 20 və 22,5 Fr) səs protezinə uyğun gələn ölçüləri var.

XƏBƏRDARLIQLAR

- Hər zaman səs protezinin düzgün şəkildə qatlandığına və yerləşdirilməzdən əvvəl Provox Capsule-a lazımı qaydada daxil edildiyinə əmin olun. Provox Capsule vaxtından əvvəl qopsa, nəfəsli tələffüz edilə bilər. Nəzərə alın ki, yağlayıcı maddələr Capsule-un qoşulmasını poza bilər.
- Çirkəndiyindən şübhələnmirsinizsə, Provox Capsule-dan istifadə etməyin.
- Qutuya və ya kapsullara zərər dəydiyi görünürsə, Provox Capsule-lardan istifadə etməyin.
- Səs protezinin TE-dəliyinə yerləşdirildikdən sonra işlədiyinə əmin olun. Yerləşdirdikdən sonra səs protezinin istifadəsi üzrə təlimatda qeyd olunan təhlükəsizlik tədbirlərinə hər zaman əməl edin.

EHTİYAT TƏDBİRLƏRİ

- İzofageal flansı Provox Capsule-un içinə daxil etmək üçün iti əşyalardan istifadə etməyin, çünki bu, səs protezinə zədələyə bilər.
- Yalnız səs protezinin diametri ilə eyni və ya ondan bir ölçü böyük olan Provox Capsule-dan istifadə edin.

Provox Insertion System-in Qatlama Aləti standard Provox Vega səs protezinin esofagial flansının Provox Capsule* içinə qatlamaq üçün istifadə oluna bilər. Bu prosedura Yükləmə Borusu istifadə edilmir.

1. Protezi Provox Capsule-un içinə daxil edin

Provox Capsule-un uzun hissəsini çıxarın və yerləşdirmə üçün qısa hissədən istifadə edin. İki barmağınızla Qatlama Alətini sıxın və kapsulu Qatlama Alətinin dəliyinə yerləşdirin (Şək. 13). Göstərici barmağınız ilə kapsulu aşağı tərəfə saxlayarkən, Qatlama Alətini birlikdə saxlayın (Şək. 14). Alternativ olaraq, Qatlama Alətini birlikdə saxlamaq üçün Provox TwistLock-dan istifadə edin. Yerləşdirmə Sancağını möhkəm irəli itələyin; bu, səs protezinin esofagial flansını kapsula yükləyəcək.

2. Düzgün yükləməni yoxlayın

Səs protezi indi Provox Capsule-un içinə yükləndi və Qatlama Aləti Yerləşdirmə Sancağından çıxarıla bilər. Esofagial flansın kapsulun içində olduğunu təsdiq edin (Şək. 15). Səs protezi düzgün şəkildə qatlanmayıbsa, yükləmə prosesi yeni Provox Capsule ilə təkrarlanmalıdır. Səs protezinin bağcığının protezi dəliyə yerləşdirmək üçün nəzərdə tutulmuş yerləşdirmə sancağına bərkidildiyinə əmin olun.

3. Köhnə səs protezinə çıxarın və TE dəliyini hazırlayın (bax: Bölmə 2.2, 6 və 7-ci bəndlər).

4. Provox Capsule-u dəliyə yerləşdirin.

Provox Capsule həll olana və esofagial flans tam açılana qədər səs protezinə tam yerləşdirilmiş mövqedə saxlayın. Lazımı mövqedə olduğuna əmin olmaq üçün səs protezinin bağcığını ehməlcə dartın.

5. Səs protezinə buraxın

Yerləşdirmə sancağını səs protezindən çıxarın. Səs protezi dəlikdə qalır.

6. Proseduru yekunlaşdırın

Yerləşdirmədən sonra, proseduru aşağıda bölmə 2.5-də təsvir olunmuş qaydada yekunlaşdırın.

* Bütün ölkələrdə mövcud deyil.

2.4 Provox Insertion System-n yığılması və yenidən yüklənməsi

Provox Vega-nın TE-dəliyinə daxil edilməsinə ilk cəhd uğursuz olarsa, səs protezinə Provox Insertion System-ə yenidən yükləmək mümkündür.

Səs protezinə yerləşdirin

1. Səs protezinə traxeal tərəfi aşağı yönəlməklə Yerləşdirmə Sancağının yuxarı hissəsində quraşdırın.
2. Təhlükəsizlik Kəmərinə hər iki tərəfdən Əlavəedilmə Yuvası vasitəsilə apararaq əlavə edin.
3. Səs protezinin Yerləşdirilmə Sancağı üzərində düzgün yerləşdirildiyini, möhkəm bağlandığını və sancağın ucunun isə səs protezinin mavi halqasına tamamilə yerləşdirildiyini təmin edin. (Şək. 3).

Qatlama Alətini birləşdirin

4. Yerləşdirilmə Sancağını Qatlama Alətindəki dəliyin içindən yerinə ilişənə qədər yönləndirin. Sancağı Qatlama Alətinin içinə ilişənə qədər dartın (Şək. 16). Provox Insertion System indi hazırlıq üçün hazırdır. Hazırlığı yuxarıda bölmə 2.2-də göstəriləni kimi davam edin.

DİQQƏT: İki dəfədən artıq təkrar yükləməyin. Provox Vega səs protezi hər hansı zədələnmə əlaməti göstərsə, səs protezinə istifadə etməyin.

2.5 Proseduru yekunlaşdırın

Yerləşdirilmədən sonra:

Düzgün uyğunluğu təmin edin

1. Səs protezinin düzgün yerini Yerləşdirilmə Sancağını fırlatmaq və ehtiyatla dartmaqla təmin edin (Şək. 17). Təhlükəsizlik kəməri aşağı istiqamətləndikdə protez ideal vəziyyətdə olur.

Düzgün işləməni yoxlayın

2. Provox Vega-nı Provox Brush ilə fırçalayın. Protezin düzgün işləməsinə xəstənin danışmasını xahiş etmək və xəstənin su içərkən protezin sızmasına baxaraq yoxlayın (Şək. 18).

Təhlükəsizlik kəmərinə kəsin

3. Səs protezinin düzgün yerləşdirildiyini təmin etdikdən sonra, Təhlükəsizlik Kəmərinə elə kəsin ki, o, Traxéal Flans ilə eyni səviyyədə olsun (Şək. 19). Provox Vega səs protezi indi istifadəyə hazırdır.

2.6 Məhvetmə

İstifadə olunmuş tibbi cihazı tullayan zaman həmişə tibbi təcürübəyə və biotəhlükələr ilə bağlı dövlət tələblərinə əməl edin.

3. Vacib xəstə məlumatı

3.1 Ümumi məlumat

Xəstənin öz müalicə həkimi ilə görüşməsinə anladığından əmin olun, əgər:

- Protezdə və ya onun ətrafında sızma var (öskürək və/və ya selik rənginin dəyişməsi).
- Danışmaq çətinləşir (daha yüksək səy və/və ya səs daha gərgin səslənir).
- Dəlik sahəsində və ya boyun dəliyi (stoma) nahiyəsində hər hansı iltihab və ya toxuma dəyişikliyi əlamətləri var (ağrı, qızarma, hərərət, şişkinlik, fırçalamadan sonra fırçada qan izləri).

Həmçinin xəstəyə aşağıdakılar barədə məlumat verin:

- Protezin dəyişilməsindən sonra bəlgəmdə qan izləri tapıla bilər. Bu, TE dəliyin kənarlarında toxumanın qranullaşmasından yaranı bilər.
- Provox Vega Plug səs protezində sızmanı müvəqqəti dayandırmaq üçün istifadə edilə bilər.
- Optimal danışq səsi, sərbəst danışma və optimal aydınlıq əldə etmək məqsədilə, təlim keçmiş müalicə həkimi ilə Nitq Təlimi Sessiyaları tövsiyə olunur.

3.2 Protezə baxım

Xəstəyə özünün Provox Vega səs protezini nə vaxt və necə təmizləmək barədə təlimat verin. Protezin gündə ən azı iki dəfə təmizlənməsi cihazın ömrünü uzatmağa kömək edə bilər.

DİQQƏT: Protezi təmizləyərkən yalnız Provox Vega ilə istifadə üçün nəzərdə tutulan orijinal Provox aksesuarları istifadə edin.

- Protezin Provox Brush ilə gündə iki dəfə fırçalanması selik və qida qalıqlarının protezdən kənar edilməsinə kömək edəcəkdir.
- Protezin Provox Flush ilə yuyulması həmçinin protezdən zibil və seliyi təmizləməyə kömək edir, bu da cihazın ömrünün artmasına kömək edə bilər.

Qeyd: Provox Flush yalnız cihazı təyin edən müalicə həkiminin nəzarəti olmadan istifadəyə dair təlimatları anlamaq və onlara ardıcıl surətdə əməl edə bilmək qabiliyyəti nümayiş etdirmək üzrə qiymətləndirilmiş xəstələr tərəfindən istifadə üçün nəzərdə tutulub.

- Laktobakteriya ehtiva edən qatıq və ya ayranın gündəlik qəbul edilməsi kimi bəzi pəhriz tədbirləri həddindən artıq Kandida artımına qarşı faydalı hesab edilir.

Provox Vega-nın necə təmizlənməsi barədə ətraflı məlumat üçün, xahiş edirik, hər aksesuar üçün Təlimatlara baxın.

4. Əlavə məlumat

4.1 MRT, rentgen və şüa terapiyası ilə uyğunluq

Provox Vega səs protezləri sınaqdan keçirilmiş və Maqnit Rezonans Tomografiyası (3 Tesla-ya qədər sınaqdan keçirilmişdir), rentgen və şüa terapiyası (70 Gy-ə qədər sınaqdan keçirilmişdir) ilə uyğun olduğu aşkar edilmişdir. Müayinə/terapiya sessiyası ərzində protez TE-dəlikdə qala bilər. Radio-qeyri-şəffaf klapan oturacağına rentgendə göründüyünü unutmayın.

4.2 Cihazın işləmə dövrü

Fərdi bioloji şəraitdən asılı olaraq cihazın işləmə dövrü dəyişir və cihazın bütövlüyünü daha uzun müddət ərzində proqnozlaşdırmaq mümkün deyil. Cihazın materialına, məs. bakteriya və qabarcıq təsir edəcək və cihazın struktur bütövlüyü nəhayət pisləşəcəkdir.

Simulyasiya istifadəsinin 12 aylıq sınaq dövrü üçün laboratoriya sınaqları göstərir ki, bakteriya və mayaların olmadığı halda, cihaz bu müddət ərzində özünün struktur bütövlüyünü saxlayacaq. Cihaz 12 aydan çox istifadə üçün sınaqdan keçirilməmişdir. Bu məhdudiyyətdən artıq istifadə təyin edən həkimin şəxsi mülahizəsinə bağlıdır.

4.3 Göbələyə qarşı dərmanlarla uyğunluq

Laboratoriya sınaqları göstərir ki, aşağıdakı göbələyə qarşı dərmanların istifadə edilməsi Provox Vega səs protezinin və komponentlərinin funksiyasına sadəcə kiçik mənfi təsir göstərir: Nistatin, Flukonazol, Mikonazol.

5. Məlumatlandırma

Nəzərə alın ki, cihazla bağlı baş verən hər hansı ciddi insident istehsalçıya və istifadəçinin və/və ya xəstənin yaşadığı ölkənin dövlət qurumuna bildirilməlidir.

Provox® Vega™**1. Описание****1.1 Назначение**

Голосовой протез Provox Vega представляет собой стерильный постоянный голосовой протез для одноразового использования, который предназначен для восстановления голоса после хирургического удаления гортани (ларингэктомии). Очистка голосового протеза выполняется пациентом, когда он установлен на месте.

Система Provox Insertion System представляет собой стерильное устройство для одноразового использования, которое предназначено для антероградной замены голосового протеза Provox Vega. Такая процедура замены выполняется врачом или квалифицированным медицинским работником в соответствии с местными и национальными рекомендациями.

Система Provox Insertion System не предназначена для установки голосового протеза в новой фистуле.

1.2 Описание устройства**Общие положения**

Протез Provox Vega представляет собой одноходовой клапан, который держит трахеопищеводную фистулу в открытом положении для обеспечения речевой функции и снижает риск попадания жидкости и пищи в трахею. Голосовой протез Provox Vega не является долговечным имплантатом, его необходимо периодически менять. Протез (рис. 1) поставляется в нескольких вариантах разных диаметров и различной длины. Устройство изготовлено из медицинской силиконовой резины и фторопласта.

Комплект Provox Vega

Комплект Provox Vega содержит следующие компоненты:

- 1 голосовой протез Provox Vega, предварительно установленный в системе Insertion System для одноразового использования, стерильный (рис. 2)
- 1 щетка Provox Brush, соответствующая по размеру голосовому протезу, нестерильная
- 1 руководство для клинических врачей Provox Vega
- 1 руководство пациента Provox Vega
- 1 инструкция по применению щетки Provox Brush

1.3 ПРОТИВОПОКАЗАНИЯ

Отсутствуют известные противопоказания при использовании или замене голосового протеза Provox Vega у пациентов, уже использующих протезы для восстановления голоса.

1.4 ПРЕДУПРЕЖДЕНИЯ

- **Возможно смещение или выталкивание голосового протеза Provox Vega** из трахеопищеводной фистулы и последующее попадание в пищеварительный тракт, вдыхание или повреждение ткани. Инородное тело в дыхательных путях может привести к таким серьезным осложнениям, как синдром острой дыхательной недостаточности и (или) остановка дыхания.
- **Выбирайте протез надлежащего размера.** Плотная установка может привести к некрозу тканей и выталкиванию.
- **Проинструктируйте пациента о необходимости немедленного обращения к врачу** в случае наличия каких-либо признаков отека ткани и (или) воспаления или инфекции.
- **Проинструктируйте пациента о необходимости немедленного обращения к врачу**, если через голосовой протез или по краям протеза есть утечка. Утечка может привести к аспирационной пневмонии.
- **Если используются ларингэктомические трубки или кнопки стомы**, выберите устройства подходящей формы, которые не будут оказывать давление на протез или цепляться за трахеальный фланец протеза во время установки или извлечения ларингэктомической трубки или кнопки стомы. Это может привести к серьезному повреждению тканей и (или) случайному проглатыванию протеза.
- **Объясните пациенту, что необходимо использовать только оригинальные принадлежности Provox** надлежащего размера (Brush, Flush, Plug) для обслуживания и избегать любых других манипуляций.
- **Повторное использование и повторная обработка** могут вызвать перекрестное заражение и повреждение устройства, что может нанести вред пациенту.

1.5 МЕРЫ ПРЕДОСТОРОЖНОСТИ.

- Тщательно оценивайте риск развития кровотечения или кровопотери до установки или замены протеза у пациентов с нарушениями свертываемости крови или пациентов, принимающих антикоагулянты.

- Перед использованием осмотрите упаковку комплекта. Если упаковка повреждена или открыта, не используйте изделие.
- Чтобы снизить риск инфицирования, при обращении с протезом всегда используйте асептическую технику.

2. Инструкции по применению

2.1 Выбор размера голосового протеза

Выбор правильного диаметра стержня и длины протеза на замену

Обязательно используйте голосовые протезы Provox Vega с правильным диаметром стержня и нужной длины. Протез Provox Vega поставляется в нескольких вариантах различной длины и со стержнями разного диаметра.

• Выбор диаметра стержня

Врач должен определить правильный диаметр протеза, который подходит для пациента.

Если выбранный диаметр больше, чем у предыдущего протеза, то необходимо расширить тракт с помощью расширителя Provox Dilator, соответствующего диаметру устанавливаемого протеза.

Если устанавливается протез с меньшим диаметром стержня, осмотрите и удостоверьтесь, что фистула сжимается до соответствующего диаметра.

• Выбор длины стержня

Выбрать правильную длину можно с помощью используемого протеза в качестве измерительного устройства.

Если между трахеальным фланцем старого протеза и стенкой слизистой слишком большое пространство (то есть 3 мм/~0,12 дюйма или более), необходимо использовать более короткий протез. Если протез сидит слишком туго, необходимо использовать более длинный протез.

2.2 Подготовка

(рис. 3-6)

Расположение голосового протеза

1. Убедитесь, что голосовой протез правильно расположен на стержне для введения, надежно зафиксирован, а кончик стержня полностью вставлен в синее кольцо голосового протеза (рис. 3).

Свертывание пищевода фланца

2. Убедитесь, что стержень для введения и свертывающий инструмент расположены правильно (стержень должен быть зафиксирован в свертывающем инструменте).
3. Двумя пальцами сожмите свертывающий инструмент (рис. 4)
4. Установите загрузочную трубку, удерживая свертывающий инструмент в закрытом состоянии, и поверните загрузочную трубку до щелчка (рис. 5). (Неприменимо для установки капсулы.)

Установка

5. Продвиньте стержень для введения вперед, чтобы совместить голосовой протез с видимым кольцом на загрузочной трубке (рис. 6). (Неприменимо для установки капсулы.)

Извлечение старого голосового протеза

6. Извлеките используемый (старый) протез из трахеопищеводной фистулы вытянув его с помощью кровоостанавливающего зажима без зубцов. Кроме того, по усмотрению врача можно захватить пинцетом трахеальный фланец протеза и обрезать. Оставшаяся часть протеза затем проталкивается в пищевод для прохождения через кишечный тракт. Перед использованием этого метода необходимо учесть историю кишечных заболеваний пациента.

Подготовка фистулы (дополнительно)

7. Возможно, для подготовки установки голосового протеза потребуется расширить фистулу. Обычно это не требуется, но может упростить введение протеза у пациентов с наклонными или плотными фистулами, которые легко сжимаются.

2.3 Процедура установки и антероградной замены

Чтобы установить голосовой протез Provox Vega с помощью системы Provox Insertion System, можно использовать четыре метода. Выбор метода остается на усмотрение врача.

- 2.3.1 Установка системы: используется вся система Insertion System.
- 2.3.2 Установка трубки: перед установкой свертывающий инструмент снимается.
- 2.3.3 Установка с избыточным введением: голосовой протез полностью развертывается в пищеводе, а затем отводится в нужное положение.
- 2.3.4 Установка капсулы: голосовой протез размещается в капсуле Provox Capsule перед установкой.

2.3.1 Метод 1. Установка системы

1. Войдите в трахеопищеводную фистулу

Удерживайте систему Provox Insertion System за загрузочную трубку. Вставьте кончик загрузочной трубки в фистулу. При наличии сопротивления продолжайте с осторожностью. При наличии сопротивления расширение и (или) смазка могут облегчить установку.

- 2. Установите голосовой протез**
Удерживая загрузочную трубку одной рукой, продвиньте стержень для введения другой рукой, пока стрелки на поверхности дистального захвата не окажутся на одной линии с нижней частью свертывающего инструмента (рис. 7). На этом этапе пищеводный фланец голосового протеза полностью развернется в пищеводе.
- 3. Отпустите голосовой протез**
Вытяните загрузочную трубку и свертывающий инструмент вместе без перекосов из фистулы. Голосовой протез останется в фистуле; но по-прежнему будет надежно прикреплен к стержню для введения.
- 4. Завершите процедуру**
После установки завершите процедуру, как описано ниже в разделе 2.5.

2.3.2 Метод 2. Установка трубки

Для улучшения видимости свертывающий инструмент можно снять после проталкивания протеза в загрузочную трубку.

Примечание. При установке протеза для обеспечения правильного свертывания пищеводного фланца важно всегда использовать систему Provox Insertion System с прикрепленным свертывающим инструментом.

- 1. Снимите свертывающий инструмент**
Снимите свертывающий инструмент, разблокировав и отсоединив его от загрузочной трубки (рис. 8).
- 2. Войдите в трахеопищеводную фистулу**
Удерживайте систему Provox Insertion System за загрузочную трубку. Вставьте кончик загрузочной трубки в фистулу. При наличии сопротивления продолжайте с осторожностью. При наличии сопротивления расширение и (или) смазка могут облегчить установку.
- 3. Установите голосовой протез**
Продвиньте стержень для введения другой рукой, пока стрелки на поверхности проксимального захвата не окажутся на одной линии с загрузочной трубкой (рис. 9). На этом этапе пищеводный фланец голосового протеза полностью развернется в пищеводе.
- 4. Отпустите голосовой протез**
Удерживайте загрузочную трубку одной рукой, а стержень для введения другой рукой. Вытягивайте загрузочную трубку и стержень для введения, пока не почувствуете, что пищеводный фланец достиг передней стенки пищевода. Затем отпустите стержень для введения и вытяните загрузочную трубку из фистулы без перекосов. При этом трахеальный фланец будет освобожден.
Примечание. Если трахеальный фланец развернется внутри пищевода или фистулы (непреднамеренное избыточное введение), захватите трахеальный фланец с помощью кровоостанавливающего зажима без зубцов и потяните/ поверните голосовой протез, чтобы он встал на место.
- 5. Завершите процедуру**
После установки завершите процедуру, как описано ниже в разделе 2.5.

2.3.3 Метод 3. Установка с избыточным введением

Иногда выполняется избыточное введение голосового протеза Provox Vega, чтобы гарантировать полное развертывание пищеводного фланца в сложных трахеопищеводных фистулах.

- 1. Снимите свертывающий инструмент (дополнительно)**
После проталкивания протеза в загрузочную трубку снимите свертывающий инструмент, разблокировав и отсоединив его от загрузочной трубки (рис. 8).
- 2. Войдите в трахеопищеводную фистулу**
Удерживайте систему Provox Insertion System за загрузочную трубку. Вставьте кончик загрузочной трубки в фистулу. При наличии сопротивления продолжайте с осторожностью. При наличии сопротивления расширение и (или) смазка могут облегчить установку.
- 3. Установите голосовой протез**
Удерживая загрузочную трубку одной рукой, продвиньте стержень для введения другой рукой за пределы поверхности проксимального захвата (рис. 10). На этом этапе голосовой протез полностью развертывается в пищеводе (рис. 11).
При проведении установки с избыточным введением с установленным свертывающим инструментом продвиньте стержень для введения за пределы поверхности дистального захвата. На этом этапе голосовой протез полностью развертывается в пищеводе (рис. 12).
- 4. Отпустите голосовой протез**
Вытяните загрузочную трубку без перекосов из фистулы. Протез останется в пищеводе; но по-прежнему будет надежно прикреплен к стержню для введения. Захватите трахеальный фланец с помощью кровоостанавливающего зажима без зубцов и потяните/ поверните голосовой протез, чтобы он встал на место.
- 5. Завершите процедуру**
После установки завершите процедуру, как описано ниже в разделе 2.5.

2.3.4 Метод 4. Установка капсулы

Назначение

Provox Capsule — это одноразовая принадлежность для антероградной установки врачом стандартного голосового протеза в трахеопищеводную фистулу пациента после ларингэктомии.

Описание устройства

Принадлежности Provox Capsule выполнены из водорастворимого материала растительного происхождения и доступны в разных размерах для установки протезов трех различных диаметров: 17, 20 и 22,5 Fr.

ПРЕДУПРЕЖДЕНИЯ

- Перед установкой обязательно убедитесь, что голосовой протез правильно свернут и надлежащим образом вставлен в Provox Capsule. Если принадлежность Provox Capsule отсоединится раньше времени, она может попасть в дыхательные пути. Обратите внимание, что смазывающие вещества могут ухудшить качество крепления принадлежности Capsule.
- Не используйте принадлежность Provox Capsule, если есть подозрение на загрязнение.
- Не используйте принадлежность Provox Capsule, если упаковка или капсулы повреждены.
- Убедитесь, что голосовой протез функционирует после установки в трахеопищеводную фистулу. После установки всегда следуйте указаниям по технике безопасности, приведенным в инструкциях по применению голосового протеза.

МЕРЫ ПРЕДОСТОРОЖНОСТИ

- Не используйте острые предметы для вставки пищеводного фланца в принадлежность Provox Capsule, так как это может повредить голосовой протез.
- Используйте принадлежность Provox Capsule только того же размера или на один размер больше относительно диаметра голосового протеза.

Свертывающий инструмент системы Provox Insertion System можно использовать для свертывания пищеводного фланца стандартного голосового протеза Provox Vega и его размещения в капсуле Provox Capsule*. Во время этой процедуры загрузочная трубка не используется.

1. Вставьте протез в капсулу Provox Capsule

Утилизируйте длинную часть принадлежности Provox Capsule и используйте короткую часть для вставки. Двумя пальцами сожмите свертывающий инструмент и поместите капсулу в отверстие свертывающего инструмента (рис. 13). Не разжимайте свертывающий инструмент, пока прижимаете капсулу указательным пальцем (рис. 14). В качестве альтернативы используйте Provox TwistLock, чтобы свертывающий инструмент не разжимался. С усилием продвиньте стержень для введения вперед; при этом пищеводный фланец голосового протеза будет загружен в капсулу.

2. Проверка правильности загрузки

Теперь голосовой протез загружен в капсулу Provox Capsule, и свертывающий инструмент можно снять со стержня для введения. Убедитесь, что пищеводный фланец находится внутри капсулы (рис. 15). Если голосовой протез свернут неправильно, необходимо повторить процедуру загрузки с использованием новой капсулы Provox Capsule. Убедитесь, что ремешок голосового протеза прикреплен к штифту инструмента для введения, предназначенного для установки протеза в фистулу.

3. Извлеките старый голосовой протез и подготовьте трахеопищеводную фистулу (см. раздел 2.2, пункты 6 и 7).

4. Вставьте принадлежность Provox Capsule в фистулу.

Удерживайте голосовой протез в полностью вставленном положении, пока Provox Capsule не растворится, а пищеводный фланец полностью не развернется. Слегка потяните за ремешок голосового протеза, чтобы убедиться, что он занял правильное положение.

5. Отпустите голосовой протез

Извлеките штифт инструмента для введения из голосового протеза. Голосовой протез останется в фистуле.

6. Завершите процедуру

После установки завершите процедуру, как описано ниже в разделе 2.5.

* Доступна не во всех странах.

2.4 Сборка и повторная установка системы Provox Insertion System

Если при первой попытке не удалось установить протез Provox Vega в трахеопищеводную фистулу, можно повторно загрузить голосовой протез в систему Provox Insertion System.

Расположение голосового протеза

1. Установите голосовой протез на верхушку стержня для введения трахеальной стороной вниз.
2. Прикрепите ремешок безопасности, пропустив его через паз для крепления с любой стороны.
3. Убедитесь, что голосовой протез правильно расположен на стержне для введения, надежно зафиксирован, а кончик стержня полностью вставлен в синее кольцо голосового протеза (рис. 3).

Подсоедините свертывающий инструмент

4. Вставьте стержень для введения через отверстие в свертывающем инструменте до щелчка. Потяните стержень, пока он не будет зафиксирован в свертывающем инструменте (рис. 16). Теперь система Provox Insertion System готова для подготовки. Продолжайте подготовку, как описано в разделе 2.2.

ПРЕДОСТЕРЕЖЕНИЕ. Не загружайте изделие более двух раз. Если голосовой протез Provox Vega имеет какие-либо признаки износа, не используйте его.

2.5 Завершение процедуры

После установки:

Обеспечьте правильную посадку

1. Обеспечьте правильное положение голосового протеза, повернув и осторожно потянув стержень для введения (рис. 17). Протез находится в идеальном положении, когда ремешок безопасности обращен вниз.

Проверьте правильность работы

2. Очистите протез Provox Vega с помощью щетки Provox Brush. Проверьте правильность его работы, попросив пациента сказать что-нибудь и проверив, что протез не протекает, когда пациент пьет воду (рис. 18).

Обрежьте ремешок безопасности

3. После проверки правильности установки голосового протеза, ровно обрежьте ремешок безопасности на трахеальном фланце (рис. 19). Теперь голосовой протез Provox Vega готов к использованию.

2.6 Утилизация

Всегда следуйте медицинской практике и национальным требованиям в отношении биологически опасных веществ при утилизации использованных медицинских устройств.

3. Важная информация для пациента

3.1 Общая информация

Убедитесь, что пациент осознает необходимость обращения к врачу в следующих случаях.

- Наличие утечки через протез или по краям протеза (кашель и (или) изменение цвета слизи).
- Затруднения во время произнесения речи (требуется больше усилий и/или голос звучит более напряженно).
- Появление любых признаков воспаления или изменения ткани в области фистулы или стомы (боль, покраснение, повышение температуры, опухание, следы крови на щетке после чистки).

Кроме того, проинформируйте пациента о следующих особенностях.

- После замены протеза в слюне могут быть заметны следы крови. Они могут возникать из грануляционной ткани по краям трахеопищеводной фистулы.
- Для временного прекращения утечка через голосовой протез можно использовать Заглушку Provox Vega Plug.
- Для обеспечения надлежащего звука голоса, беглой речи и оптимальной разборчивости рекомендуется пройти логопедические занятия с квалифицированным врачом.

3.2 Обслуживание протеза

Проинструктируйте пациента о периодичности и способах очистки голосовых протезов Provox Vega. Чтобы обеспечить длительный срок службы устройства, необходимо чистить его по крайней мере дважды в день.

ПРЕДОСТЕРЕЖЕНИЕ. При чистке протеза Provox Vega пользуйтесь только подлинными принадлежностями Provox, предназначенными для этого устройства.

- Для удаления слизи и остатков пищи из протеза очищайте его с помощью щетки Provox Brush дважды в день.
- Промывка протеза с помощью устройства Provox Flush также позволит удалить загрязнения и слизь с протеза, что обеспечит увеличение его срока службы.

Примечание. Устройство Provox Flush предназначено только для использования теми пациентами, которые (по оценке врача выписавшего это устройство) продемонстрировали способность понимать и последовательно следовать инструкциям по применению без надзора врача.

- Некоторые диеты, например ежедневный прием йогурта или пахты, содержащих лактобактерии, считаются полезными против чрезмерного разрастания грибка Candida.

Для получения подробной информации об очистке протеза Provox Vega см. инструкции для каждой принадлежности.

4. Дополнительная информация

4.1 Совместимость с процедурами МРТ, рентгенотерапии и лучевой терапии

Голосовые протезы Provox Vega прошли проверку и признаны совместимыми с процедурами магнитно-резонансной томографии (выполнялась проверка до 3 Тл), рентгенотерапии и лучевой терапии (выполнялась проверка до 70 Гр). Этот протез можно оставлять в трахеопищеводной фистуле во время сеанса обследования/терапии. Обратите внимание, что рентгеноконтрастное седло клапана видимо при рентгенотерапии.

4.2 Срок службы устройства

Срок службы устройства зависит от индивидуальных биологических условий, и предсказать целостность устройства в долгосрочной перспективе

невозможно. На материал устройства будут воздействовать различные бактерии и дрожжевой грибок, поэтому герметичность конструкции устройства со временем ухудшится.

В соответствии с лабораторными испытаниями при отсутствии бактерий и дрожжевых грибов конструктивная целостность устройства сохранится в течение 12 месяцев условного использования. Устройство не тестировалось на использование в течение более продолжительного срока, чем 12 месяцев. Использование устройства по истечении этого срока остается на усмотрение врача.

4.3 Совместимость с противогрибковыми препаратами

Лабораторные испытания выявили лишь слабое негативное влияние на функционирование голосового протеза Provox Vega и его компоненты при применении следующих противогрибковых препаратов: нистатин, флуконазол, миконазол.

5. Уведомление

Обратите внимание, что о любых серьезных происшествиях с этим устройством необходимо сообщать производителю и в орган государственной власти той страны, в которой проживает пользователь и/или пациент.

BAHASA INDONESIA

Provox® Vega™

1. Informasi Deskriptif

1.1 Penggunaan semestinya

Provox Vega Voice Prosthesis adalah prostesis suara steril sekali pakai yang terpasang di dalam yang dirancang untuk rehabilitasi suara pascaoperasi pengangkatan laring (laringektomi). Pembersihan prostesis suara dilakukan oleh pasien selagi perangkat masih di tempatnya.

Provox Insertion System adalah alat steril sekali pakai untuk penggantian anterograd Prostesis Suara Provox Vega. Prosedur penggantian ini dilakukan oleh dokter medis atau tenaga profesional medis terlatih sesuai panduan lokal atau nasional.

Provox Insertion System tidak dimaksudkan untuk menyisipkan prostesis suara di lubang yang baru dibuat.

1.2 Deskripsi perangkat

Umum

Provox Vega adalah katup satu arah (prostesis) yang menyebabkan lubang-TE tetap terbuka untuk berbicara, sembari mengurangi risiko masuknya makanan dan minuman ke trakea. Prostesis suara Provox Vega bukan implan permanen, dan harus diganti secara berkala. Prostesis (Gb. 1) tersedia dalam berbagai ukuran diameter dan panjang. Perangkat ini terbuat dari karet silikon kelas medis dan fluoroplastik.

Paket Provox Vega

Paket Provox Vega berisi item berikut:

- 1 Prostesis suara Provox Vega yang sudah dirakit dalam Insertion System steril sekali pakai (Gb. 2)
- 1 Provox Brush yang berukuran sesuai prostesis suara, non-steril
- 1 Panduan Provox Vega bagi Tenaga Klinis
- 1 Panduan Provox Vega bagi Pasien
- 1 Petunjuk Penggunaan Provox Brush

1.3 KONTRAIKASIKASI

Tidak diketahui adanya kontraindikasi untuk penggunaan atau penggantian prostesis suara Provox Vega di kalangan pasien yang sudah menggunakan rehabilitasi prostesis suara.

1.4 PERINGATAN

- **Keluarnya atau menjolnya prostesis suara Provox Vega** dari lubang TE dan gangguan menelan dan aspirasi atau kerusakan jaringan setelahnya bisa terjadi. Benda asing di saluran napas bisa menyebabkan komplikasi parah semacam gangguan pernapasan akut dan/atau berhentinya pernapasan.
- **Pilih ukuran prostesis yang tepat.** Terlalu ketat bisa menyebabkan nekrosis jaringan dan tonjolan.
- **Suruh pasien berkonsultasi dengan dokter** begitu ada tanda edema jaringan dan/atau peradangan/infeksi.
- **Suruh pasien berkonsultasi dengan tenaga klinis** jika terjadi kebocoran pada atau di sekitar prostesis suara. Kebocoran bisa menyebabkan pneumonia aspirasi.
- **Jika digunakan, pilih tuba laringektomi atau tombol stoma** dengan bentuk yang tepat sehingga tidak menekan prostesis atau mengenai flensa trakea di prostesis

selama pemasangan dan pelepasan tuba laringektomi atau tombol stoma. Ini bisa menyebabkan kerusakan jaringan parah dan/atau tertelannya prostesis secara tidak sengaja.

- **Minta pasien menggunakan hanya aksesori asli Provox** dengan ukuran yang sesuai (Brush, Flush, Plug) untuk pemeliharaan dan menghindari semua jenis manipulasi.
- **Penggunaan ulang dan pemrosesan ulang** bisa menyebabkan kontaminasi silang dan kerusakan perangkat, sehingga membahayakan pasien.

1.5 TINDAKAN PENCEGAHAN.

- Secara cermat periksa pasien yang menderita gangguan perdarahan atau yang menjalani perawatan antikoagulan untuk mengetahui risiko perdarahan atau hemorrhage sebelum memasang atau melepas prostesis
- Periksa kemasan sebelum menggunakan produk. Jika kemasan rusak atau terbuka, jangan gunakan produk.
- Selalu gunakan teknik aseptik saat menangani prostesis guna mengurangi risiko infeksi.

2. Petunjuk penggunaan

2.1 Pilih ukuran Prostesis suara

Memilih diameter dan panjang poros prostesis pengganti yang tepat

Pastikan menggunakan prostesis suara Provox Vega dengan ukuran diameter dan panjang poros yang tepat. Provox Vega tersedia dalam berbagai ukuran diameter poros dan panjang.

- **Memilih diameter poros**

Tenaga klinis harus menentukan diameter prostesis yang tepat untuk pasien.

Jika diameter yang dipilih lebih besar dari prostesis sebelumnya, maka saluran harus dilebarkan, menggunakan Provox Dilator, sehingga sesuai dengan diameter prostesis yang sedang disisipkan.

Jika prostesis yang berdiameter poros lebih kecil disisipkan, amati dan pastikan bahwa lubang menyusut ke diameter yang sesuai.

- **Memilih panjang poros**

Untuk memilih panjang yang tepat, Anda bisa menggunakan prostesis saat ini sebagai alat ukur.

Jika jarak antara Flensa Trakea di prostesis lama dengan dinding mukosa terlalu jauh (yaitu 3 mm/~0,12 inci, atau lebih), gunakan prostesis yang lebih pendek. Jika prostesis dalam posisi terlalu kencang, gunakan prostesis yang lebih panjang.

2.2 Persiapan

(Gb. 3–6)

Posisikan prostesis suara

1. Pastikan Prostesis Suara diposisikan dengan benar di Pin Penyisip, terpasang rapat, dan ujung pin-nya diposisikan seluruhnya di dalam cincin biru prostesis suara (Gb. 3).

Lipat flensa esofagus

2. Pastikan Pin Penyisip diposisikan dengan benar menggunakan Alat Pelipat (Pin harus dimasukkan ke dalam Alat Pelipat).
3. Pencet Alat Pelipat secara bersamaan menggunakan dua jari (Gb. 4)
4. Pasang Tuba Pemuat sembari mempertahankan Alat Pelipat tetap tertutup dan puntir Tuba Pemuat hingga terkunci di tempatnya (Gb. 5).
(T/A untuk Penyisipan Capsule)

Muat

5. Dorong Pin Penyisip ke depan hingga prostesis suara sejajar dengan cincin bening di Tuba Pemuat (Gb. 6). (T/A untuk Penyisipan Capsule)

Melepas prostesis suara lama

6. Lepas prostesis yang sedang digunakan sekarang (lama) dari lubang-TE dengan menariknya keluar menggunakan hemostat tanpa gigi. Atau, atas diskresi tenaga klinis, flensa trakea pada prostesis bisa dipegang menggunakan forsep dan dipotong. Lalu, bagian sisa prostesis didorong masuk ke dalam esofagus agar masuk ke dalam saluran pencernaan. Riwayat penyakit pencernaan pasien harus dipertimbangkan sebelum menggunakan metode ini.

Menyiapkan lubang (opsional)

7. Lubang bisa dilebarkan untuk menyiapkan penyisipan prostesis suara. Metode ini biasanya tidak perlu dilakukan, namun akan memudahkan penyisipan prostesis ke dalam tubuh pasien yang memiliki lubang bersudut atau rapat yang mudah menutup.

2.3 Penyisipan, prosedur penggantian Anterograd

Empat metode bisa digunakan untuk menyisipkan prostesis suara Provox Vega dengan Provox Insertion System. Pilihan metodenya tergantung pada diskresi tenaga klinis.

2.3.1 Penyisipan Sistem: Sistem penyisipan seluruhnya digunakan.

2.3.2 Penyisipan Tuba: Alat pelipat dilepas sebelum penyisipan.

2.3.3 Penyisipan Overshoot: Seluruh prostesis suara digembungkan ke dalam esofagus, lalu ditarik ke posisi yang diinginkan.

2.3.4 Penyisipan Capsule: Prostesis suara dimasukkan ke dalam Provox Capsule sebelum disisipkan.

2.3.1 Metode 1: Penyisipan Sistem

1. Masuki lubang-TE

Pegang Provox Insertion System menggunakan Tuba Pemuat. Masuki lubang menggunakan Ujung Tuba Pemuat. Lanjutkan dengan hati-hati jika Anda merasakan resistansi. Jika ada resistansi, dilatasi dan/atau lubrikasi bisa memudahkan penyisipan.

2. Sisipkan prostesis suara

Pegang Tuba Pemuat secara stabil menggunakan satu tangan dan dorong Pin Penyisip menggunakan tangan lainnya hingga panah di permukaan pegangan Distal lurus dengan tepi bawah Alat Pelipat (Gb. 7). Di titik ini, lipatan flensa esofagus prostesis suara terbuka sepenuhnya di esofagus.

3. Lepas prostesis suara

Tarik keluar Tuba Pemuat dan Alat Pelipat secara bersamaan dari lubang. Prostesis suara tetap dalam lubang; terpasang erat ke Pin Penyisip.

4. Selesaikan prosedur

Setelah penyisipan, selesaikan prosedur sebagaimana dijelaskan di bawah, di bagian 2.5.

2.3.2 Metode 2: Penyisipan Tuba

Untuk meningkatkan visibilitas, Alat Pelipat bisa dilepas setelah prostesis didorong ke dalam Tuba Pemuat.

Catatan: Penting untuk selalu menggunakan Provox Insertion System dengan Alat Pelipat yang terpasang saat memuat prostesis agar bisa memastikan pelipatan flensa esofagus sudah dilakukan dengan tepat.

1. Lepas Alat Pelipat

Lepas Alat Pelipat dengan membuka kunci dan melepaskannya dari Tuba Pemuat (Gb. 8).

2. Masuki lubang-TE

Pegang Provox Insertion System menggunakan Tuba Pemuat. Masuki lubang menggunakan Ujung Tuba Pemuat. Lanjutkan dengan hati-hati jika Anda merasakan resistansi. Jika ada resistansi, dilatasi dan/atau lubrikasi bisa memudahkan penyisipan.

3. Sisipkan prostesis suara

Dorong Pin Penyisip menggunakan tangan lain hingga panah di permukaan pegangan Proksimal lurus dengan Tuba Pemuat (Gb. 9). Di titik ini, lipatan flensa esofagus prostesis suara terbuka sepenuhnya di esofagus.

4. Lepas prostesis suara

Pegang Tuba Pemuat menggunakan satu tangan dan Pin Penyisip menggunakan tangan lainnya. Tarik Tuba Pemuat dan Pin Penyisip ke belakang hingga Anda merasakan flensa esofagus mencapai dinding esofagus anterior. Lalu, lepas Pin Penyisip dan tarik keluar Tuba Pemuat dari lubang. Ini akan melepas flensa trakea. **Catatan:** Jika flensa trakea membuka di dalam esofagus atau lubang (overshooting tak sengaja), pegang flensa trakea menggunakan hemostat tanpa gigi dan tarik/putar prostesis suara ke tempatnya.

5. Selesaikan prosedur

Setelah penyisipan, selesaikan prosedur sebagaimana dijelaskan di bawah, di bagian 2.5

2.3.3 Metode 3: Penyisipan Overshoot

Overshooting prostesis suara Provox Vega kadang dilakukan untuk memastikan pengembangan flensa esofagus secara sempurna di lubang TE yang sulit.

1. Lepas Alat Pelipat (Opsional)

Setelah prostesis dimasukkan ke dalam Tuba Pemuat, lepas Alat Pelipat dengan membuka kunci dan melepaskannya dari Tuba Pemuat (Gb. 8).

2. Masuki lubang-TE

Pegang Provox Insertion System menggunakan Tuba Pemuat. Masuki lubang menggunakan Ujung Tuba Pemuat. Lanjutkan dengan hati-hati jika Anda merasakan resistansi. Jika ada resistansi, dilatasi dan/atau lubrikasi bisa memudahkan penyisipan.

3. Sisipkan prostesis suara

Pegang Tuba Pemuat secara stabil menggunakan satu tangan dan dorong Pin Penyisip menggunakan tangan lainnya hingga melampaui permukaan pegangan Proksimal (Gb. 10). Di titik ini, prostesis suara digembungkan seluruhnya di esofagus (Gb. 11).

Jika penyisipan overshoot dilakukan dengan Alat Pelipat yang tetap terakit, dorong Insertion Pin melampaui permukaan pegangan Distal. Di titik ini, prostesis suara digembungkan seluruhnya di esofagus (Gb. 12).

4. Lepas prostesis suara

Tarik keluar Tuba Pemuat dari lubang. Prostesis suara tetap di esofagus; masih terpasang erat ke Pin Penyisip. Pegang flensa trakea menggunakan hemostat tanpa gigi dan tarik/putar prostesis suara ke tempatnya.

5. Selesaikan prosedur

Setelah penyisipan, selesaikan prosedur sebagaimana dijelaskan di bawah, di bagian 2.5

2.3.4 Metode 4: Penyisipan Capsule

Penggunaan semestinya

Provox Capsule adalah aksesori sekali pakai untuk penyisipan anterograd prostesis suara standar oleh tenaga klinis ke dalam lubang trakeoesofagus pada pasien operasi laringektomi.

Deskripsi perangkat

Provox Capsule terbuat dari bahan larut air yang berasal dari tumbuhan, dan tersedia dalam ukuran yang sesuai dengan tiga diameter prostesis suara, 17, 20 dan 22,5 Fr.

PERINGATAN

- Selalu pastikan prostesis suara terlipat dengan benar dan dimasukkan dengan baik ke dalam Provox Capsule sebelum penyisipan. Provox Capsule dapat tersedot ke saluran napas jika lepas sebelum waktunya. Perhatikan bahwa pelumas dapat merusak perlekatan Capsule.
- Jangan gunakan Provox Capsule jika dicurigai terkontaminasi.
- Jangan gunakan Provox Capsule jika kemasan atau kapsul tampak rusak.
- Pastikan prostesis suara berfungsi setelah disisipkan ke dalam lubang TE. Selalu ikuti tindakan kewaspadaan yang ditentukan di dalam petunjuk untuk penggunaan prostesis suara setelah penyisipan.

TINDAKAN KEWASPADAAN

- Jangan gunakan benda tajam untuk memasukkan flensa esofagus ke dalam Provox Capsule karena dapat merusak prostesis suara.
- Hanya gunakan Provox Capsule dengan ukuran yang sama atau satu ukuran lebih besar dari diameter prostesis suara.

Alat Pelipat di Provox Insertion System bisa digunakan untuk melipat flensa esofagus di prostesis suara Provox Vega standar ke dalam Provox Capsule*. Pada prosedur ini, Tuba Pemuat tidak digunakan.

1. Sisipkan prostesis ke dalam Provox Capsule

Buang bagian panjang Provox Capsule dan gunakan bagian pendeknya untuk penyisipan. Pencet Alat Pelipat menggunakan dua jari dan masukkan kapsul di lubang Alat Pelipat (Gb. 13). Cengkeram Alat Pelipat, sambil mendorong kapsul ke bawah menggunakan jari telunjuk (Gb. 14). Atau, gunakan Provox TwistLock untuk mencengkeram Alat Pelipat. Dorong Pin Penyisip secara kencang ke depan; ini akan memasukkan flensa esofagus di prostesis suara ke dalam kapsul.

2. Periksa pemuatan yang tepat

Prostesis suara sekarang dimuat di dalam Provox Capsule, dan Alat Pelipat bisa dilepas dari Pin Penyisip. Pastikan flensa esofagus berada di dalam kapsul (Gb. 15). Jika prostesis suara tidak dilipat dengan benar, proses pemuatan harus diulangi dengan Provox Capsule yang baru. Pastikan tali prostesis suara terikat ke pin penyisip yang digunakan untuk menyisipkan prostesis ke dalam lubang.

3. Lepas prostesis suara yang lama dan siapkan lubang TE (lihat Bagian 2.2 poin 6 dan 7).

4. Sisipkan Provox Capsule ke dalam lubang.

Pegang prostesis suara dalam posisi sisiisipkan sepenuhnya sampai Provox Capsule larut dan flensa esofagus telah selesai terbuka. Tarik sedikit tali prostesis suara untuk memastikannya dalam posisi yang tepat.

5. Lepas prostesis suara

Lepas pin penyisip dari prostesis suara. Prostesis suara tetap berada di lubang.

6. Selesaikan prosedur

Setelah penyisipan, selesaikan prosedur sebagaimana dijelaskan di bawah, di bagian 2.5

* Tidak tersedia di semua negara.

2.4 Merakit dan memuat ulang Provox Insertion System

Jika upaya penyisipan pertama Provox Vega ke dalam lubang-TE gagal, prostesis suara bisa dimuat ulang ke dalam Provox Insertion System.

Posisikan prostesis suara

1. Pasang prostesis suara dengan sisi trakea menghadap ke bawah di atas Pin Penyisip.
2. Pasang Tali Pengaman dengan memasukkannya ke dalam Slot Attachment dari sisi lainnya.
3. Pastikan Prostesis Suara diposisikan dengan benar di Pin Penyisip, terpasang rapat dan ujung pin-nya diposisikan seluruhnya di dalam cincin biru prostesis suara (Gb. 3).

Hubungkan Alat Pelipat

4. Pandu Pin Penyisip melalui lubang di Alat Pelipat hingga berbunyi klik di tempatnya. Tarik pin hingga pin masuk ke dalam Alat Pelipat (Gb. 16). Provox Insertion System sekarang siap untuk persiapan. Lanjutkan persiapan sebagaimana dijelaskan di atas, di bagian 2.2.

PERINGATAN: Jangan memuat ulang lebih dari dua kali. Jika prostesis suara Provox Vega menunjukkan tanda kerusakan, jangan gunakan prostesis suara.

2.5 Menyelesaikan prosedur

Setelah penyisipan:

Pastikan ketepatannya

1. Pastikan ketepatan posisi prostesis suara dengan memutar dan menarik pelan Pin Penyisip (Gb. 17). Prostesis berada di posisi idealnya jika Tali Pengaman menghadap bawah.

Uji fungsinya

2. Sikat Provox Vega menggunakan Provox Brush. Uji fungsi prostesis dengan menyuruh pasien berbicara dan mengamati apakah prostesis tidak bocor saat pasien minum (Gb. 18).

Potong Tali Pengaman

3. Setelah memastikan prostesis suara tepat di posisinya, potong Tali Pengaman sehingga ini memerah dengan Flensa Trakea (Gb. 19). Prostesis suara Provox Vega sekarang siap digunakan.

2.6 Pembuangan

Selalu ikuti praktik medis dan persyaratan nasional terkait bahaya biologis saat membuang perangkat medis yang telah dipakai.

3. Informasi penting bagi pasien

3.1 Informasi umum

Pastikan pasien memahami bahwa mereka harus menghubungi tenaga klinis jika:

- Terdapat kebocoran dalam atau di sekitar prosthesis (batuk dan/atau perubahan warna lendir).
- Berbicara menjadi sulit (butuh upaya keras dan/atau suara lebih tertahan).
- Terdapat tanda-tanda peradangan atau perubahan jaringan di lokasi lubang atau daerah stoma (nyeri, kemerahan, panas, membengkak, bercak darah di sikat setelah menyikat).

Selain itu, juga beri tahu pasien bahwa:

- Setelah pemasangan prosthesis, bercak darah mungkin ditemukan di dahak. Ini mungkin berasal dari jaringan granulasi di tepi lubang TE.
- Provox Vega Plug bisa digunakan sementara untuk menghentikan kebocoran di prosthesis suara.
- Sesi Latihan Bicara dengan tenaga klinis terlatih disarankan untuk memperoleh suara yang optimal, lancar berbicara, dan inteligibilitas yang optimal.

3.2 Pemeliharaan prosthesis

Beri tahu pasien kapan dan bagaimana membersihkan prosthesis suara Provox Vega milik mereka. Membersihkan prosthesis sedikitnya dua kali sehari bisa membantu memperpanjang masa pakai perangkat.

PERINGATAN: Hanya gunakan aksesori asli Provox yang diperuntukkan bagi Provox Vega saat membersihkan prosthesis.

- Menyikat prosthesis dengan Provox Brush dua kali sehari akan membantu membersihkan lendir dan sisa makanan di prosthesis.
- Membilas prosthesis dengan Provox Flush juga membantu membersihkan serpihan dan lendir di prosthesis, sehingga bisa membantu meningkatkan masa pakai perangkat. **Catatan:** Provox Flush hanya diperuntukkan bagi pasien, yang menurut tenaga klinis yang meresepkan perangkat, menunjukkan kemampuan memahami dan mengikuti petunjuk secara konsisten untuk menggunakan perangkat tanpa pengawasan tenaga klinis.
- Beberapa konsumsi makanan, seperti asupan harian yogurt atau buttermilk yang mengandung laktobasilus, dianggap membantu melawan pertumbuhan *Candida* secara berlebih.

Untuk informasi selengkapnya tentang cara membersihkan Provox Vega, lihat Petunjuk untuk masing-masing aksesori.

4. Informasi tambahan

4.1 Kompatibilitas dengan MRI, terapi sinar-X dan radiasi

Prosthesis suara Provox Vega telah teruji dan terbukti kompatibel, dengan Magnetic Resonance Imaging (teruji hingga 3 Tesla), terapi sinar-x dan radiasi (teruji hingga 70 Gy). Prosthesis bisa tetap berada di dalam lubang-TE selama sesi pemeriksaan/terapi. Perhatikan bahwa katup kedap sinar-X terlihat pada sinar-X.

4.2 Masa pakai perangkat

Tergantung kondisi biologis seseorang, masa pakai perangkat ini beragam, dan tidak mungkin memprediksi integritas perangkat dalam jangka waktu yang lama. Bahan perangkat akan dipengaruhi oleh, misalnya bakteri dan ragi. Selain itu, integritas struktural perangkat pada akhirnya akan rusak.

Uji laboratorium untuk simulasi penggunaan perangkat dalam jangka waktu 12 bulan menunjukkan bahwa, jika tidak ada bakteri dan ragi, perangkat akan mempertahankan integritas strukturalnya selama jangka waktu ini. Perangkat belum diuji untuk penggunaan melampaui 12 bulan. Penggunaan melampaui batas ini didasarkan pada diskresi yang meresepkannya.

4.3 Kompatibilitas dengan obat antijamur

Uji laboratorium menunjukkan hanya ada pengaruh negatif kecil pada fungsi dan komponen prosthesis suara Provox Vega apabila obat antijamur berikut dikonsumsi: Nystatin, Fluconazole, Miconazol.

5. Pelaporan

Harap perhatikan bahwa insiden serius apa pun yang terjadi sehubungan dengan perangkat harus dilaporkan kepada produsen dan otoritas nasional di negara tempat tinggal pengguna dan/atau pasien.

Provox® Vega™**1. Maklumat perihalan****1.1 Tujuan Penggunaan**

Prostesis Suara Provox Vega ialah prostesis suara tertempat steril kegunaan tunggal yang bertujuan untuk pemulihan suara selepas pembedahan membuang larinks (laringektomi). Pembersihan prostesis suara dilakukan oleh pesakit semasa ia masih dalam kedudukan in situ.

Provox Insertion System ialah peranti steril kegunaan tunggal yang bertujuan untuk penggantian anterogred Prostesis Suara Provox Vega. Prosedur penggantian ini dilaksanakan oleh doktor perubatan atau profesional perubatan yang terlatih mengikut garis panduan setempat atau kebangsaan.

Provox Insertion System tidak bertujuan untuk digunakan bagi selitan prostesis suara ke dalam tebukannya yang baru dibuat.

1.2 Perihalan peranti**Umum**

Provox Vega ialah injap satu hala (prostesis) yang memastikan tebukannya TE terbuka untuk pertuturan, pada masa yang sama mengurangkan risiko bendalir dan makanan masuk ke dalam trakea. Prostesis suara Provox Vega bukan implan kekal dan memerlukan penggantian berkala. Prostesis (Raj. 1) tersedia dalam diameter yang berbeza dan beberapa kepanjangan. Peranti ini dibuat daripada getah silikone bergred perubatan dan fluoroplastik.

Pakej Provox Vega

Pakej Provox Vega mengandungi item yang berikut:

- 1 prostesis suara Provox Vega diprapasang dalam Insertion System kegunaan tunggal, steril (Raj. 2)
- 1 Berus Provox yang mempunyai saiz sepadan dengan prostesis suara, tidak steril
- 1 manual Klinisian Provox Vega
- 1 manual Pesakit Provox Vega
- 1 Arahan untuk Penggunaan Berus Provox

1.3 KONTRAINDIKASI

Tiada kontraindikasi yang diketahui untuk penggunaan atau penggantian prostesis suara Provox Vega dalam kalangan pesakit yang telah menggunakan pemulihan suara prostetik.

1.4 AMARAN

- **Penanggalan atau penerobosan prostesis suara Provox Vega** daripada tebukannya TE dan pengingesan berikutnya, penyedutan atau kerosakan tisu mungkin berlaku. Jasad asing dalam saluran udara boleh menyebabkan komplikasi teruk seperti sesak nafas akut dan/atau pernafasan terhenti.
- **Pilih saiz prostesis yang betul.** Pemasangan yang ketat boleh menyebabkan nekrosis dan penerobosan tisu.
- **Arahan pesakit untuk berunding dengan pakar perubatan** dengan segera sekiranya terdapat sebarang tanda edema tisu dan/atau keradangan/jangkitan.
- **Arahan pesakit untuk berunding dengan pakar perubatan** sekiranya kebocoran melalui atau di sekitar prostesis suara berlaku. Kebocoran boleh menyebabkan pneumonia aspirasi.
- **Jika digunakan, pilih tiub laringektomi atau butang stoma** dengan bentuk yang sesuai yang tidak menyebabkan tekanan pada prostesis atau terperangkap dalam bibir trakea prostesis semasa selitan dan penanggalan tiub laringektomi atau butang stoma. Ini boleh menyebabkan kerosakan tisu yang parah dan/atau pengingesan prostesis tanpa sengaja.
- **Arahan pesakit untuk menggunakan hanya aksesori tulen Provox** yang mempunyai saiz sepadan (Berus, Flush, Plug) untuk penyelenggaraan dan untuk mengelakkan manipulasi yang lain.
- **Penggunaan semula dan pemprosesan semula** mungkin mengakibatkan pencemaran silang dan merosakkan peranti, yang boleh membahayakan pesakit.

1.5 LANGKAH BERJAGA-JAGA.

- Nilai pesakit yang mengalami gangguan perdarahan atau sesiapa sahaja yang sedang menjalani rawatan antigumpal dengan berhati-hati untuk risiko perdarahan atau hemoraj sebelum peletakan atau penggantian prostesis
- Periksa pakej sebelum digunakan. Jika pakej rosak atau telah terbuka, jangan gunakan produk tersebut.
- Sentiasa gunakan teknik aseptik semasa mengendalikan prostesis bagi mengurangkan risiko jangkitan.

2. Arahan untuk penggunaan**2.1 Memilih saiz prostesis Suara**

Memilih diameter dan panjang syaf yang betul untuk penggantian prostesis
Pastikan diameter dan panjang syaf prostesis suara Provox Vega yang betul digunakan. Provox Vega tersedia dalam diameter syaf yang berbeza dan beberapa kepanjangan.

- **Memilih diameter syaf**

Klinisian harus menentukan diameter prostesis yang betul yang bersesuaian dengan pesakit.

Jika diameter yang dipilih lebih besar daripada prostesis yang sebelumnya, laluannya prostesis mesti dikembangkan menggunakan Provox Dilator, yang bersesuaian dengan diameter prostesis yang akan dimasukkan.

Jika prostesis dengan diameter syaf yang lebih kecil dimasukkan, perhatikan dan pastikan tebukan mengecut kepada diameter yang betul.

- **Memilih panjang syaf**

Bagi memilih panjang yang betul, anda boleh menggunakan prostesis terkini sebagai peranti pengukurannya sendiri.

Jika terdapat ruang yang terlalu luas (cthnya. 3 mm /~0.12 inci, atau lebih) di antara Bibir Trakea prostesis yang lama dan dinding mukosa, prostesis yang lebih pendek harus digunakan. Jika letakan prostesis terlalu ketat, prostesis yang lebih panjang harus digunakan.

2.2 Persediaan

(Raj. 3-6)

Meletakkan prostesis suara

1. Pastikan Prostesis Suara diletakkan dengan betul pada Pin Selitan, terpasang dengan kemas, dengan hujung pin diletakkan sepenuhnya ke dalam gelang biru prostesis suara (Raj. 3).

Melipat bibir esofagus

2. Pastikan Pin Selitan telah diletakkan dengan betul dengan Alat Melipat (Pin haruslah berdetap ke dalam Alat Melipat).
3. Picit Alat Melipat bersama-sama dengan dua jari (Raj.4)
4. Pasangkan Tiub Muatan sambil mengekalkan Alat Melipat tertutup dan pusingkan Tiub Muatan sehingga ia terletak di tempatnya dengan kemas (Raj. 5). (T/B untuk Selitan Kapsul)

Memuatkan

5. Tolak Pin Selitan ke hadapan sehingga prostesis suara sejajar dengan gelang boleh nampak pada Tiub Muatan (Raj. 6). (T/B untuk Selitan Kapsul)

Keluarkan prostesis suara yang lama

6. Keluarkan prostesis semasa (lama) daripada tebukan TE dengan menariknya keluar dengan hemostat tidak bergigi. Atau dengan cara lain, berdasarkan budi bicara klinisian, bibir trakea prostesis boleh dikeluarkan dengan forseps dan dipotong. Prostesis selebihnya kemudiannya ditolak ke dalam esofagus untuk dilalukan ke saluran usus. Pesakit dengan sejarah penyakit usus perlu dipertimbangkan sebelum menggunakan kaedah ini.

Sediakan tebukan (pilihan)

7. Tebukan boleh dikembangkan sebagai persediaan untuk selitan prostesis suara. Kebiasaannya ia tidak diperlukan tetapi ia boleh memudahkan selitan bagi pesakit yang mempunyai tebukan bersudut atau ketat yang mudah menguncup.

2.3 Selitan, Prosedur penggantian anterogred

Empat kaedah boleh digunakan untuk menyelit prostesis suara Provox Vega dengan Provox Insertion System. Pemilihan kaedah bergantung kepada budi bicara klinisian.

- 2.3.1 Selitan Sistem: Keseluruhan sistem selitan digunakan.
- 2.3.2 Selitan Tiub: Alat melipat dikeluarkan sebelum selitan.
- 2.3.3 Selitan Lajakan: Keseluruhan prostesis suara dimasukkan ke dalam esofagus dan ditarik balik pada kedudukan yang dikehendaki.
- 2.3.4 Selitan Kapsul: Prostesis suara diletakkan dalam Provox Capsule sebelum selitan.

2.3.1 Kaedah 1: Selitan sistem

1. Masuk ke dalam tebukan TE

Pegang Provox Insertion System dengan Tiub Muatan. Masuk ke dalam tebukan dengan Hujung Tiub Muatan. Teruskan dengan berhati-hati jika anda menghadapi rintangan. Jika terdapat rintangan, pendilatan dan/atau pelinciran boleh memudahkan selitan.

2. Menyelitkan prostesis suara

Pegang Tiub Muatan dengan stabil dengan sebelah tangan dan tolak Pin Selitan dengan sebelah lagi tangan sehingga anak panah pada permukaan genggam distal sedatar dengan tepi bawah Alat Melipat (Raj. 7). Ketika ini, bibir esofagus prostesis suara terbuka sepenuhnya dalam esofagus.

3. Melepaskan prostesis suara

Tarik Tiub Muatan dan Alat Melipat bersama-sama terus daripada tebukan. Prostesis suara kekal di dalam esofagus; masih melekat kemas pada Pin Selitan.

4. Menyelesaikan prosedur

Selepas selitan, selesaikan prosedur seperti yang diterangkan di bawah dalam bahagian 2.5.

2.3.2 Kaedah 2: Selitan Tiub

Untuk meningkatkan penglihatan, Alat Melipat boleh dikeluarkan selepas prostesis ditolak ke dalam Tiub Muatan.

Nota: Penting untuk sentiasa menggunakan Provox Insertion System yang dipasang dengan Alat Melipat semasa memuatkan prostesis untuk memastikan lipatan bibir esofagus yang betul.

1. **Mengeluarkan Alat Melipat**

Keluarkan Alat Melipat dengan membuka kunci dan memutuskan sambungannya daripada Tiub Muatan (Raj. 8).

2. **Masuk ke dalam tebukun TE**

Pegang Provox Insertion System dengan Tiub Muatan. Masuk ke dalam tebukun dengan Hujung Tiub Muatan. Teruskan dengan berhati-hati jika anda menghadapi rintangan. Jika terdapat rintangan, pendilatan dan/atau pelinciran boleh memudahkan selitan.

3. **Menyelitkan prostesis suara**

Tolak Pin Selitan dengan sebelah lagi tangan sehingga anak panah pada permukaan genggam Proximal sedatar dengan Tiub Muatan (Raj. 9). Ketika ini, bibir esofagus prostesis suara terbuka sepenuhnya dalam esofagus.

4. **Melepaskan prostesis suara**

Pegang Tiub Muatan dengan satu tangan dan Pin Selitan dengan sebelah lagi tangan. Tarik Tiub Muatan dan Pin Selitan ke belakang sehingga anda dapat merasa bibir esofagus telah mencecah dinding esofagus anterior. Kemudian, lepaskan Pin Selitan dan tarik Tiub Muatan terus daripada tebukun. Ini akan melepaskan bibir trakea.

Nota: Jika bibir trakea terbuka dalam esofagus atau tebukun (lajakan tanpa sengaja), pegang bibir trakea dengan hemostat tanpa gigi dan tarik/pusing prostesis suara ke tempatnya.

5. **Menyelesaikan prosedur**

Selepas selitan, selesaikan prosedur seperti yang diterangkan di bawah dalam bahagian 2.5

2.3.3 Kaedah 3: Selitan lajukan

Lajakan prostesis suara Provox Vega kadangkala dilakukan untuk memastikan perkembangan lengkap bibir esofagus dalam tebukun TE yang sukar.

1. **Mengeluarkan Alat Melipat (Pilihan)**

Setelah prostesis ditolak ke dalam Tiub Muatan, keluarkan Alat Melipat dengan membuka kunci dan memutuskan sambungannya daripada Tiub Muatan (Raj. 8).

2. **Masuk ke dalam tebukun TE**

Pegang Provox Insertion System dengan Tiub Muatan. Masuk ke dalam tebukun dengan Hujung Tiub Muatan. Teruskan dengan berhati-hati jika anda menghadapi rintangan. Jika terdapat rintangan, pendilatan dan/atau pelinciran boleh memudahkan selitan.

3. **Menyelitkan prostesis suara**

Pegang Tiub Muatan dengan stabil menggunakan sebelah tangan dan tolak Pin Selitan dengan sebelah lagi tangan sehingga melewati permukaan genggam Proximal (Raj. 10). Ketika ini prostesis suara telah dimasukkan sepenuhnya ke dalam esofagus (Raj. 11).

Jika selitan lajukan dilakukan dengan Alat Melipat terpasang, tolak Pin Selitan melewati permukaan genggam Distal. Ketika ini prostesis suara telah dimasukkan sepenuhnya ke dalam esofagus (Raj. 12).

4. **Melepaskan prostesis suara**

Tarik Tiub Muatan terus daripada tebukun. Prostesis kekal di dalam esofagus, masih melekat kemas pada Pin Selitan. Pegang bibir trakea dengan hemostat tanpa gigi dan tarik/pusing prostesis suara ke tempatnya.

5. **Menyelesaikan prosedur**

Selepas selitan, selesaikan prosedur seperti yang diterangkan di bawah dalam bahagian 2.5

2.3.4 Kaedah 4: Selitan Kapsul

Tujuan penggunaan

Provox Capsule ialah aksesori kegunaan tunggal untuk selitan anterogred dari prostesis suara standard oleh seorang klinisian ke dalam tebukun trakeoesofageal pesakit yang telah menjalani laringektomi.

Perihalan peranti

Provox Capsule diperbuat daripada bahan larut air berasal daripada tumbuhan, dan saiz tersedia untuk memuatkan tiga diameter prostesis suara yang berbeza, 17, 20 dan 22.5 Fr.

AMARAN

- Sentiasa pastikan yang prostesis suara dilipat dengan betul dan dimasukkan betul-betul ke dalam Provox Capsule sebelum selitan. Jika Provox Capsule tercabut terlalu awal, ia boleh tersedut. Perhatikan bahawa pelincir boleh menjejaskan pemasangan Capsule.
- Jangan gunakan Provox Capsule jika disyaki terdapat pencemaran.
- Jangan gunakan Provox Capsule jika bungkus atau kapsul kelihatan rosak.
- Pastikan prostesis suara berfungsi selepas selitan ke dalam tebukun TE. Sentiasa ikuti langkah berjaga-jaga yang dinyatakan dalam arahan untuk menggunakan prostesis suara selepas selitan.

LANGKAH BERJAGA-JAGA

- Jangan gunakan item yang tajam untuk memasukkan bibir esofagus ke dalam Provox Capsule kerana ini mungkin merosakkan prostesis suara.
- Hanya gunakan Provox Capsule yang sama saiz atau satu saiz lebih besar daripada diameter prostesis suara.

Alat Melipat Provox Insertion System boleh digunakan untuk melipat bibir esofagus prostesis suara Provox Vega standard ke dalam Provox Capsule*. Dalam prosedur ini, Tiub Muatan tidak digunakan.

1. **Selitkan prostesis ke dalam Provox Capsule**

Buang bahagian panjang Provox Capsule dan gunakan bahagian pendek untuk selitan. Picit Alat Melipat bersama-sama menggunakan dua jari dan letakkan kapsul

pada bukaan Alat Melipat (Raj. 13). Kekalkan Alat Melipat bersama-sama, semasa memegang kapsul dengan jari telunjuk (Raj. 14). Atau gunakan Provox TwistLock untuk memastikan Alat Pelipat terpasang. Tolak Pin Selitan dengan kemas ke hadapan; ini akan memuatkan bibir esofagus prostesis suara ke dalam kapsul.

2. Periksa muatan yang betul

Prostesis suara kini telah dimuatkan ke dalam Provox Capsule, dan Alat Melipat boleh dikeluarkan daripada Pin Selitan. Pastikan yang bibir esofagus berada di dalam kapsul (Raj. 15). Jika prostesis suara tidak dilipat dengan betul, proses memuatkan harus diulang dengan Provox Capsule baharu. Pastikan bebat dari prostesis suara dikukuhkan pada pin penyelit yang bertujuan untuk menyelitkan prostesis ke dalam tebukuan.

3. Keluarkan prostesis suara yang lama dan sediakan tebukuan TE (lihat Bahagian 2.2 perkara 6 dan 7).

4. Selitkan Provox Capsule ke dalam tebukuan.

Pegang prostesis suara dalam kedudukan diselitkan sepenuhnya sehingga Provox Capsule larut dan bibir esofagus telah siap dibuka. Tarik sedikit bebat prostesis suara untuk memastikan ia berada dalam kedudukan yang betul.

5. Melepaskan prostesis suara

Keluarkan pin penyelit dari prostesis suara. Prostesis suara kekal dalam tebukuan.

6. Mengakhiri prosedur

Selepas selitan, selesaikan prosedur seperti yang diterangkan di bawah dalam bahagian 2.5

* Tidak tersedia untuk semua negara.

2.4 Pemasangan dan pemuatan semula Provox Insertion System

Jika percubaan pertama untuk memasukkan Provox Vega dalam tebukuan TE tidak berjaya, anda boleh memuatkan semula prostesis suara ke dalam Provox Insertion System.

Meletakkan prostesis suara

1. Lekapkan prostesis suara dengan tepi trakea menghadap ke bawah di atas Pin Selitan.
2. Pasangkan Bebat Keselamatan dengan menolak ia masuk ke dalam Slot Atakmen pada kedua-dua tepi.
3. Pastikan Prostesis Suara diletakkan dengan betul pada Pin Selitan, terpasang dengan kemas, dengan hujung pin diletakkan sepenuhnya ke dalam gelang biru prostesis suara (Raj. 3).

Sambungkan Alat Melipat

4. Gerakkan Pin Selitan melalui bukaan pada Alat Melipat sehingga ia muat dengan kemas pada tempatnya. Tarik pin sehingga pin berdetap ke dalam Alat Melipat (Raj. 16). Provox Insertion System kini tersedia untuk persediaan. Teruskan persediaan seperti yang diterangkan di atas dalam bahagian 2.2.

AWAS: Jangan muatkan semula lebih daripada dua kali. Jika prostesis suara Provox Vega menunjukkan sebarang tanda kerosakan, jangan gunakan prostesis suara tersebut.

2.5 Menyelesaikan prosedur

Selepas selitan:

Pastikan padanan yang betul

1. Pastikan kedudukan prostesis suara yang betul dengan memutar dan menarik dengan berhati-hati Pin Selitan (Raj. 17). Prostesis berada pada kedudukan yang ideal semasa Bebat Keselamatan menghala ke bawah.

Menguji fungsi yang betul

2. Beruskan Provox Vega dengan Berus Provox. Uji fungsi yang betul bagi prostesis dengan meminta pesakit untuk bercakap dan dengan memerhatikan prostesis tidak bocor semasa pesakit minum air (Raj. 18).

Memotong Bebat Keselamatan

3. Selepas memastikan prostesis telah diletakkan dengan betul, potong Bebat Keselamatan supaya ia sedatar dengan Bibir Trakea (Raj. 19). Prostesis suara Provox Vega kini sedia untuk digunakan.

2.6 Pelupusan

Sentiasa ikuti amalan perubatan dan keperluan kebangsaan berkenaan biobahaya apabila melupuskan peranti perubatan yang telah digunakan.

3. Maklumat penting pesakit

3.1 Maklumat umum

Pastikan bahawa pesakit faham untuk menghubungi klinisian jika:

- Terdapat kebocoran melalui atau di sekitar prostesis (batuk dan/atau perubahan warna mukus).
- Kesukaran bercakap (usaha yang tinggi dan/atau bunyi suara lebih tegang).
- Terdapat sebarang tanda keradangan atau perubahan tisu pada tempat tebukuan atau kawasan stoma (sakit, kemerahan, panas, bengkak, kesan darah pada berus selepas memberus).

Juga maklumkan pesakit bahawa:

- Selepas penggantian prostesis, kesan darah mungkin didapati dalam kahak. Ini mungkin datang daripada tisu granulasi pada tepi tebukuan TE.
- Provox Vega Plug boleh digunakan sementara untuk menghentikan kebocoran melalui prostesis suara.

- Sesi Latihan Pertuturan dengan klinisian terlatih adalah dinasihatkan untuk mendapatkan bunyi suara, kelancaran pertuturan, dan kebolehfahaman yang optimum.

3.2 Penyelenggaraan prostesis

Beritahu pesakit masa dan cara untuk membersihkan prostesis suara Provox Vega beliau. Membersihkan prostesis sekurang-kurangnya dua kali sehari boleh membantu memanjangkan hayat peranti.

AWAS: Hanya gunakan aksesori Provox yang tulen yang bertujuan untuk digunakan dengan Provox Vega semasa membersihkan prostesis.

- Memberus prostesis dengan Berus Provox dua kali sehari akan membantu membuang mukus dan sisa makanan daripada prostesis.
- Membilas prostesis dengan Provox Flush juga membantu untuk membersihkan serpihan dan mukus daripada prostesis, yang boleh membantu meningkatkan hayat peranti.
Nota: Provox Flush bertujuan untuk digunakan hanya oleh pesakit, seperti yang dinilai oleh klinisian yang mempreskripsikan peranti, telah menunjukkan kebolehan untuk memahami dan mengikut arahan untuk penggunaan dengan konsisten tanpa pengawasan klinisian.
- Seseengah pendekatan diet, seperti pengambilan harian yogurt atau susu mentega yang mengandungi laktobasili, dianggap membantu menentang pertumbuhan berlebihan Candida.

Bagi maklumat terperinci tentang cara untuk membersihkan Provox Vega, sila lihat Arahan untuk setiap aksesori.

4. Maklumat tambahan

4.1 Keserasian dengan MRI, sinar X dan terapi sinaran

Prostesis suara Provox Vega diuji dan didapati serasi dengan Pengimejan Resonan Magnetik (dijui sehingga 3 Tesla), sinar x dan terapi sinaran (dijui sehingga 70 Gy). Prostesis boleh ditinggalkan dalam tebukan TE semasa sesi pemeriksaan/terapi. Perhatikan bahawa tempat letak injap radio-legap boleh dilihat pada sinar x.

4.2 Masa hayat peranti

Bergantung kepada keadaan biologi individu, hayat peranti berbeza dan mustahil untuk menjangkakan keutuhan peranti untuk tempoh masa yang lebih panjang. Bahan peranti akan dipengaruhi oleh cthnya. bakteria dan yis, dan keutuhan struktur peranti akhirnya akan merosot.

Ujian makmal penggunaan yang disimulasikan untuk tempoh ujian selama 12 bulan menunjukkan bahawa, semasa ketiadaan bakteria dan yis, peranti akan mengekalkan keutuhan strukturnya selama tempoh masa ini. Peranti ini tidak diuji untuk penggunaan melebihi 12 bulan. Penggunaan melebihi had ini adalah sepenuhnya di bawah budi bicara klinisian yang mempreskripsikannya.

4.3 Keserasian dengan ubat antikulat

Ujian makmal menunjukkan hanya sedikit pengaruh negatif pada fungsi prostesis suara Provox Vega dan komponennya semasa menggunakan ubat antikulat yang berikut: Nistatin, Fluconazole, Mikonazol.

5. Pelaporan

Sila ambil perhatian bahawa sebarang kejadian serius yang berlaku berkaitan dengan peranti itu hendaklah dilaporkan kepada pengilang dan pihak berkuasa kebangsaan bagi negara tempat pengguna dan/atau pesakit itu berada.

日本語

Provox® Vega™ (プロヴォックスヴェガ)

1. 本製品の説明

1.1 使用目的

Provox Vega (プロヴォックスヴェガ) ボイスプロテーゼは、単回使用の留置型滅菌済ボイスプロテーゼであり、喉頭の外科的摘出(喉頭摘出術)後のシャント発声に使用します。ボイスプロテーゼの留置中、ボイスプロテーゼの清浄は患者が行います。

Provox Insertion System (プロヴォックスインサージョンシステム) は単回使用の滅菌済デバイスであり、プロヴォックスヴェガボイスプロテーゼを順行的に交換する際に使用します。交換は、国または地域のガイドラインに従って医師または訓練を受けた医療専門家が行います。

形成したばかりのシャント孔には、プロヴォックスインサージョンシステムを使用しボイスプロテーゼを挿入することを想定していません。

1.2 製品説明

一般事項

プロヴォックスヴェガは一方弁（プロテーゼ）であり、発話のためにシャント孔を開いた状態に保つ一方で、液体や食物が気管に入る危険性を低減します。プロヴォックスヴェガボイスプロテーゼはインプラントではないため、定期的に交換する必要があります。プロテーゼ（図1）は、さまざまな直径と長さを取り揃えています。このデバイスは、医療グレードのシリコンゴムおよびフッ素樹脂で作られています。

プロヴォックスヴェガのパッケージ

プロヴォックスヴェガのパッケージには下記の品が同梱されています。

- 単回使用の滅菌済インサージョンシステムに組込み済みのプロヴォックスヴェガボイスプロテーゼ 1個（図2）
- ボイスプロテーゼに適したサイズの未滅菌Provox Brush（プロヴォックスブラシ）1本
- プロヴォックスヴェガ臨床医向け取扱説明書 1冊
- プロヴォックスヴェガ患者向け取扱説明書 1冊
- プロヴォックスブラシ取扱説明書 1冊

1.3 禁忌

プロヴォックスヴェガボイスプロテーゼの使用や交換に関し、すでにシャント発声を行っている患者の間で既知の禁忌はありません。

1.4 警告

- シャント孔からプロヴォックスヴェガボイスプロテーゼがずれたり脱落したりすると、摂取や誤嚥、組織の損傷につながるおそれがあります。気道に異物があると、急性呼吸困難や呼吸停止などの重篤な合併症が起こるおそれがあります。
- 適切なサイズのプロテーゼを選択してください。きつく挟まった状態にあると、組織の壊死と穿孔が起こることがあります。
- 組織浮腫や炎症・感染（あるいはその両方）の徴候がある場合は直ぐに、医師の診察を受けるよう患者に指示してください。
- ボイスプロテーゼの本体または周辺から漏れがある場合、医師の診察を受けるよう患者に指示してください。漏れにより誤嚥性肺炎を発症する恐れがあります。
- 気管カニューレやストマボタンを使用の場合、それらを挿入したり取り外したりする時に、プロテーゼに圧力がかかったり、プロテーゼの気管側フランジに引っかかたりしないよう適切な形状のものを使用してください。重篤な組織損傷や偶発的なプロテーゼの脱落につながるおそれがあります。
- メンテナンス以外の処理を行わずに済むよう、メンテナンスには、サイズの合った純正のプロヴォックス付属品（ブラシ、フラッシュ、プラグ）のみを使用するよう患者に指示してください。
- 再使用や再処理は二次汚染および製品の破損を招くおそれがあり、患者に害の及ぶことがあります。

1.5 使用上の注意

- 出血性疾患を有する患者や抗凝固薬投与中の患者については、プロステーゼの留置や交換を行う前に、出血の危険性について慎重に検討してください。
- 使用前にパッケージを点検してください。パッケージが損傷していたり開いていたりする場合は、使用しないでください。
- 感染の危険性を低減するため、プロテーゼを扱う際はかならず無菌操作で行ってください。

2.使用方法

2.1 ボイスプロテーゼのサイズの選択

シャフトの直径と長さが適切な交換用プロテーゼの選択

シャフトの直径と長さが適切なプロヴォックスヴェガボイスプロテーゼをかならず使用してください。プロヴォックスヴェガには、さまざまな直径と長さのシャフトがあります。

• シャフト直径の選択

患者に適したプロテーゼの直径は臨床医が判断してください。

選択した直径が以前のプロテーゼより大きい場合、挿入するプロテーゼの直径に合わせ、Provox Dilator（プロヴォックスダイレーター）を使用し路を適宜拡張する必要があります。

シャフトの直径が小さいプロテーゼを挿入する場合は、シャント孔が適切な直径まで縮小するかを観察し確認します。

• シャフトの長さの選択

正しい長さを選択するため、現在のプロテーゼを測定道具として利用してもかまいません。

古いプロテーゼの気管側フランジと粘膜壁間の距離が長すぎる（3mmまたは約0.12インチ以上）場合、短いプロテーゼを使用する必要があります。プロテーゼがぴったりしすぎる場合、長いプロテーゼを使用する必要があります。

2.2 準備

（図3-6）

ボイスプロテーゼの取付け

1. ボイスプロテーゼが挿入ピン上の正しい位置にしっかりと取り付けられ、ピンの先端がボイスプロテーゼの青い輪の一番奥まで入っていることを確認します（図3）。

食道フランジの折り曲げ

2. 挿入ピンと折り曲げ道具の位置関係が正しいことを確認します(ピンが折り曲げ道具にパチンとはまった状態)。
3. 2本の指で折り曲げ道具を締め付けます(図4)。
4. 折り曲げ道具を閉じたまま装填チューブを取り付け、所定の位置にロックされるまで挿入器をねじります(図5)。
(カプセル挿入には該当しません。)

装填

5. ボイスプロテーゼの位置が、装填チューブにある目印の輪の位置と一致するまで、挿入ピンを押し進めます(図6)。(カプセル挿入には該当しません。)

古いボイスプロテーゼの取出し

6. 無鉤把持鉗子を用いて、現在の(古い)プロテーゼをシャント孔から引き出して取り出します。または、臨床医の自由裁量で、プロテーゼの気管側フランジを鉗子でつかみ、切り離してもかまいません。残りのプロテーゼは、腸管を通過するよう食道に押し込みます。この方法を行うには、患者の腸の病歴を考慮する必要があります。

シャント孔の準備(オプション)

7. ボイスプロテーゼを挿入する準備として、シャント孔を拡張してもかまいません。この処置は通常不要ですが、患者のシャント孔が角度付きだったりきつかったりして崩れやすい場合に挿入が楽になります。

2.3 挿入および順行的な交換の手順

プロヴォックスインサーションシステムでプロヴォックスヴェガボイスプロテーゼを挿入するには4通りの方法があります。どの方法を選ぶかは臨床医の自由裁量です。

- 2.3.1 システムの挿入：インサーションシステム全体を使用します。
- 2.3.2 チューブの挿入：折り曲げ道具を取り外してから挿入します。
- 2.3.3 オーバーシュート挿入：ボイスプロテーゼ全体を食道で広げてから目的の位置まで後退させます。
- 2.3.4 カプセル挿入：ボイスプロテーゼをProvox Capsule(プロヴォックスカプセル)に入れて挿入します。

2.3.1 方法1: システムの挿入

1. シャント孔に入れる

プロヴォックスインサーションシステムを装填チューブで保持します。装填チューブの先端をシャント孔に入れます。抵抗を感じる場合、慎重に前に進めます。抵抗を感じる場合、拡張したり潤滑を施したりすると楽に挿入できます。

2. ボイスプロテーゼの挿入

片手で装填チューブをしっかり持ち、遠位グリップの表面にある矢印と、折り曲げ道具の底部端が同じ高さになるまで、もう片方の手で挿入ピンを押し進めます(図7)。この時点で、ボイスプロテーゼの食道フランジは完全に食道で広がります。

3. ボイスプロテーゼの開放

シャント孔からまっすぐ、装填チューブと折り曲げ道具をいっしょに引き抜きます。ボイスプロテーゼは、挿入ピンに依然としてしっかりと取り付けられた状態でシャント孔に残ります。

4. 手技の完了

挿入後、下記のセクション2.5に従い手技を完了します。

2.3.2 方法2: チューブの挿入

よく見えるように、プロテーゼを装填チューブに押し込んだ後に折り曲げ道具を取り外してもかまいません。

注記: 食道フランジが適切に折り曲がるよう、プロテーゼの装填時はかならず折り曲げ道具を取り付けてプロヴォックスインサーションシステムを使用することが重要です。

1. 折り曲げ道具の取外し

折り曲げ道具のロックを外し装填チューブから抜いて取り外します(図8)。

2. シャント孔に入れる

プロヴォックスインサーションシステムを装填チューブで保持します。装填チューブの先端をシャント孔に入れます。抵抗を感じる場合、慎重に前に進めます。抵抗を感じる場合、拡張したり潤滑を施したりすると楽に挿入できます。

3. ボイスプロテーゼの挿入

近位グリップの表面にある矢印と装填チューブが同じ高さになるまで、装填チューブを持っていないほうの手で挿入ピンを押し進めます(図9)。この時点で、ボイスプロテーゼの食道フランジは完全に食道で広がります。

4. ボイスプロテーゼの開放

装填チューブを片方の手で、挿入ピンをもう一方の手で持ちます。食道フランジが食道前壁に到達した感触を得るまで、装填チューブと挿入ピンを両方引き戻します。挿入ピンから手を放し、装填チューブをシャント孔からまっすぐ引き抜きます。これにより気管側フランジが開放されます。

注記: 気管側フランジが食道またはシャント孔内で広がった(想定外のオーバーシュート)場合、無鉤把持鉗子で気管側フランジをつかみ、ボイスプロテーゼを所定の位置まで引くか回転させます。

5. 手技の完了

挿入後、下記のセクション2.5に従い手技を完了します。

2.3.3 方法3: オーバーシュート挿入

プロヴォックスヴェガボイスプロテーゼのオーバーシュート手技は、手技が困難なシャント孔で食道フランジを完全に広げるため、ときどき実施されます。

- 1. 折り曲げ道具の取外し(オプション)**
プロテーゼを装填チューブに押し込んだ後に、折り曲げ道具のロックを外し装填チューブから抜いて取り外します(図8)。
- 2. シャント孔に入れる**
プロヴォックスインサージョンシステムを装填チューブで保持します。装填チューブの先端をシャント孔に入れます。抵抗を感じる場合、慎重に前に進めます。抵抗を感じる場合、拡張したり潤滑を施したりすると楽に挿入できます。
- 3. ボイスプロテーゼの挿入**
片手で装填チューブをしっかり持ち、近位グリップの表面より奥まで、もう片方の手で挿入ピンを押し進めます(図10)。この時点で、ボイスプロテーゼは完全に食道で広がります(図11)。
折り曲げ道具を組み込んだ状態でオーバーシュート挿入を行う場合、遠位グリップの表面より奥まで挿入ピンを押し進めます。この時点で、ボイスプロテーゼは完全に食道で広がります(図12)。
- 4. ボイスプロテーゼの開放**
シャント孔からまっすぐに、装填チューブを引き抜きます。プロテーゼは、挿入ピンに依然としてしっかりと取り付けられた状態で食道に残ります。無鉤把持鉗子で気管側フランジをつかみ、ボイスプロテーゼを所定の位置まで引くか回転させます。
- 5. 手技の完了**
挿入後、下記のセクション2.5に従い手技を完了します。

2.3.4 方法4: カプセル挿入

使用目的

Provox Capsule (プロヴォックスカプセル)は、単回使用の付属品であり、医師により喉頭摘出患者のシャント孔に標準的なボイスプロテーゼの順行的な挿入を行う際に使用します。

製品説明

プロヴォックスカプセルは、植物由来の水溶性材料でできており、ボイスプロテーゼの3種類の直径(17、20および22.5 Fr)に合うサイズがあります。

警告

- 挿入を行う前に、ボイスプロテーゼが適切に折り込まれていること、ボイスプロテーゼがプロヴォックスカプセルの中にきちんと入っていることを必ず確認してください。プロヴォックスカプセルがあまりに早く外れてしまうと、吸い込まれる恐れがあります。潤滑剤によりカプセルの設置が不安定になる恐れがあります。
- 汚染の疑いがある場合はプロヴォックスカプセルを使用しないでください。
- パッケージまたはカプセルに損傷がある場合、プロヴォックスカプセルを使用しないでください。
- シャント孔への挿入後、ボイスプロテーゼが機能することを確認してください。挿入後はボイスプロテーゼの取扱説明書に記載の安全上の注意に必ず従ってください。

使用上の注意

- 食道フランジをプロヴォックスカプセルに挿入する際、鋭利なものを使用しないでください。ボイスプロテーゼが損傷する恐れがあります。
- ボイスプロテーゼの直径と同じまたは1サイズ大きなプロヴォックスカプセルのみを使用してください。

プロヴォックスインサージョンシステムの折り曲げ道具を使用し、標準的なプロヴォックスヴェガボイスプロテーゼの食道フランジをプロヴォックスカプセル内に折り込むことができます*。この手技では、装填チューブを使用しません。

- 1. プロヴォックスカプセルにプロテーゼを挿入**
プロヴォックスカプセルの長い部分を廃棄し、短い部分を挿入に使用します。2本の指で折り曲げ道具を締め付け、折り曲げ道具の開口部にカプセルを載せまます(図13)。折り曲げ道具を締め付けたまま、人差し指でカプセルを下に押し下げます(図14)。あるいは、Provox TwistLock(プロボックスツイストロック)を使用して折り曲げ道具を固定します。挿入ピンを確実に押し進めることで、ボイスプロテーゼの食道フランジがカプセル内に装填されます。
- 2. 装填が適切か確認**
プロヴォックスカプセルがボイスプロテーゼに装填されたので、挿入ピンから折り曲げ道具を外してかまいません。食道フランジがカプセル内に入っていることを確認します(図15)。ボイスプロテーゼがきちんと折り込まれていない場合は、新しいプロヴォックスカプセルで装填手順を繰り返す必要があります。ボイスプロテーゼのストラップが、シャント孔にボイスプロテーゼを挿入するための挿入ピンに固定されていることを確認します。
- 3. 古いボイスプロテーゼを取り出し、シャント孔を整えます(セクション2.2のポイント6および7を参照)。**
- 4. プロヴォックスカプセルをシャント孔に挿入します。**
プロヴォックスカプセルが溶解し食道フランジが完全に広がるまで、ボイスプロテーゼを十分に挿入した状態に保ちます。ボイスプロテーゼのストラップを軽く引き、適切な位置に設置されていることを確認します。
- 5. ボイスプロテーゼの開放**
ボイスプロテーゼから挿入ピンを外します。ボイスプロテーゼはシャント孔に残ります。
- 6. 手技の完了**
挿入後、下記のセクション2.5に従い手技を完了します。

*一部の国では入手できません。

2.4 組立ておよびプロヴォックスインサージョンシステムの再装填

プロヴォックスヴェガをシャント孔に挿入するのに一度失敗しても、プロヴォックスインサージョンシステムにボイスプロテーゼを再装填可能です。

ボイスプロテーゼの取付け

1. 気管側を下に向けボイスプロテーゼを挿入ピンの先端に載せます。
2. 取付けスロットにセーフティストラップを片側から通して、セーフティストラップを取り付けます。
3. ボイスプロテーゼが挿入ピン上の正しい位置にしっかりと取り付けられ、ピンの先端がボイスプロテーゼの青い輪の一番奥まで入っていることを確認します(図3)。

折り曲げ道具の接続

4. 折り曲げ道具の開口部に挿入ピンを通し、所定の位置でカチツと音がするまで動かします。ピンが折り曲げ道具にパチンとはまるまでピンを引きます(図16)。プロヴォックスインサージョンシステムの準備ができる状態になりました。セクション2.2に従い、引き続き準備を行います。

注意: 再装填は2回が限度です。プロヴォックスヴェガボイスプロテーゼに損傷の兆しが見られる場合は、使用しないでください。

2.5 手技の完了

挿入後:

適切な装着を確認

1. 挿入ピンを回転しゆっくり引いて、ボイスプロテーゼの位置が適切であることを確認します(図17)。セーフティストラップが下側にあれば、プロテーゼの位置は完璧です。

適切に機能するかテスト

2. プロヴォックスブラシでプロヴォックスヴェガにブラシをかけます。患者に発話を促し、患者が水を飲んででもプロテーゼから漏れないことを観察し、プロテーゼが適切に機能するかをテストします(図18)。

セーフティストラップの切断

3. ボイスプロテーゼが正しく留置されたことを確認後、気管側フランジと同じ高さの位置でセーフティストラップを切り離します(図19)。これでプロヴォックスヴェガボイスプロテーゼを使い始めることができます。

2.6 廃棄方法

使用済みの医療機器の廃棄は、必ず、地域のルールに従って行ってください。

3. 重要な患者情報

3.1 一般情報

下記の場合、かならず担当臨床医に連絡するよう患者に念を押してください。

- プロテーゼ本体や周囲から漏れがある(咳や粘液の色の変化)
- 発話が困難(以前より難儀だったり声がひずんだりする)
- シャント孔部位や永久気管孔領域に炎症や組織の変化の徴候が見られる(痛み、赤み、熱、腫張、ブラシをかけたあとのブラシに血痕)

下記の内容も患者に伝えてください。

- プロテーゼの交換後、痰に血痕が見られる場合があります。この現象は、シャント孔端部の肉芽増殖組織からの出血と考えられます。
- ボイスプロテーゼの漏れは、Provox Vega Plug(プロヴォックスヴェガプラグ)で一時的に止めることができます。
- 最適な声量で滑らかにはっきりと話せるよう、訓練を受けた臨床医から発話の訓練を受けるよう勧めてください。

3.2 プロテーゼのメンテナンス

プロヴォックスヴェガボイスプロテーゼを清浄するタイミングおよび方法を患者に指導します。一日に最低2回プロテーゼを清浄すると、デバイス寿命が延びます。

注意: プロテーゼの清浄には、プロヴォックスヴェガ専用の純正付属品のみを使用してください。

- 一日に2回プロヴォックスブラシでプロテーゼを清浄すると、プロテーゼから粘液や残留食物を除去することができます。
- Provox Flush(プロヴォックスフラッシュ)でプロテーゼに水を流してもプロテーゼから碎片や粘液を除去することが可能であり、デバイス寿命が延びます。

注記: プロヴォックスフラッシュは、プロテーゼの処方医が、使用方法を理解し臨床医の監視なしでも常に使用方法を守ることができると判断した患者にのみ使用します。

- 乳酸菌を含むヨーグルトやバターミルクを毎日摂取するなど、なんらかの食習慣がカンジダ菌の過剰繁殖を抑えるのに役立つと考えられます。

プロヴォックスヴェガの清浄に関する詳細は、付属品の取扱説明書をそれぞれ参照してください。

4. 추가

4.1 MRI, X선, 방사선 치료와의適合性

프로vox스베가보이스프로테제는, 磁気共鳴イメージング(3테슬라まで)、X線、放射線治療(70 Gyまで)との適合性がテストで実証されています。プロテ제는、検査や治療中、シャント孔に留置したままにすることができます。ただし、放射線不透過性の弁座がX線画像に写ることに留意してください。

4.2 製品の寿命

個々の生物学的条件により製品の寿命は異なり、長期間にわたって製品が正常に動作するとは限りません。素材が細菌や酵母などの影響を受けると、最終的に構造が変化します。

実際の使用状況で12ヶ月間実験した結果、細菌や酵母がなければデバイスは12ヶ月間正常な構造を保つことが分かっています。12ヶ月間を超える試験は行われていません。12ヶ月間を超える使用については、処方医師の判断を仰いでください。

4.3 抗真菌剤との適合性

非臨床の実験結果により、以下の抗真菌剤を使用した場合に、プロテ제의機能と部品にわずかながら悪影響が生じる可能性があることが示されています: ナイスタチン、フルコナゾール、ミコナゾール。

5. 報告

製品に関連して発生した重大な事故はすべて、使用者および/または患者が居住している国の製造業者および国家当局に報告されますので、ご了承ください。

한국어

Provox® Vega™

1. 설명 정보

1.1 적합한 사용

Provox Vega 인공성대는 후두절제술을 받은 후 음성 재활을 위한 일회용 무균 유치 인공성대입니다. 인공성대의 세정은 인공성대가 삽입된 상태에서 환자가 수행합니다.

Provox Insertion System은 Provox Vega 인공성대의 전행성 교체를 위한 일회용 무균 장치입니다. 이 교체 시술은 현지 또는 국가별 지침에 따라 의사 또는 훈련을 받은 의료 전문가가 수행합니다.

Provox Insertion System은 새로 생성된 천공에 인공성대를 삽입하는 데에는 사용할 수 없습니다.

1.2 장치 설명

일반 사항

Provox Vega는 음식물과 액체가 기관에 유입될 위험을 줄이면서 발성을 위해 TE 천공을 열린 상태로 유지하는 단방향 밸브(인공성대)입니다. Provox Vega 인공성대는 영구적인 이식물이 아니며 정기적인 교체가 필요합니다. 이 인공성대(그림 1)는 다양한 직경과 길이로 제공됩니다. 이 장치는 의료용 실리콘 고무와 불소수지 성분으로 제작됩니다.

Provox Vega 패키지

Provox Vega 패키지에 포함된 항목은 다음과 같습니다.

- Provox Vega 인공성대 1개, 일회용 Insertion System에 사전 장착됨, 무균 (그림 2)
- 인공성대에 해당하는 크기의 Provox Brush(솔) 1개, 무균 아님
- Provox Vega 임상 설명서 1개
- Provox Vega 환자 설명서 1개
- Provox Brush 사용 안내 1개

1.3 금기 사항

인공성대 재활을 이미 하고 있는 환자가 Provox Vega 인공성대를 사용하거나 교체할 때의 알려진 금기 사항은 없습니다.

1.4 경고

- TE 천공으로부터 Provox Vega 인공성대가 이탈 또는 분출되고 그로 인한 흡입, 흡인 또는 조직 손상이 발생할 수 있습니다. 기도에 이물질이 유입될 경우, 급성 호흡 곤란 및/또는 호흡 정지 등 여러 합병증이 발생할 수 있습니다.
- 적합한 인공성대 크기를 선택하십시오. 너무 꼭 끼면 조직 괴사가 발생하고 분출될 수 있습니다.
- 조직 부종 및/또는 염증/감염의 징후가 있는 경우, 즉시 의사와 상의하도록 환자에게 안내하십시오.
- 인공성대나 그 주위에 누출이 발생한 경우 의사와 상의하도록 환자에게 지시하십시오. 누출될 경우 흡인성 폐렴을 유발할 수 있습니다.
- 후두절제 튜브 또는 기문 버튼의 삽입 및 제거 시 인공성대의 기관 플랜지에 걸리지 않고 인공성대에 압력을 가하지 않는 적합한 모양의 후두절제 튜브

또는 기문 버튼을 선택하십시오. 그렇지 않으면 심각한 조직 손상 및/또는 인공성대의 우발적 흡입이 초래될 수 있습니다.

- **유지 관리 시 해당 크기(Brush, Flush, Plug)의 정품 Provox 부속품만 사용하고 어떠한 유형의 조작도 하지 않도록 환자에게 지시하십시오.**
- **재사용 및 재처리할 경우** 교차 오염과 장치 손상이 발생하여 환자가 피해를 입을 수 있습니다.

1.5 주의 사항.

- 출혈성 질환이 있거나 항응고제 치료를 받고 있는 환자의 경우, 인공성대의 배치 또는 교체 전에 출혈 위험이 있는지 세밀하게 진단하십시오.
- 사용 전에 패키지를 검사하십시오. 패키지가 손상되었거나 개봉된 경우 제품을 사용하지 마십시오.
- 감염 위험을 줄이기 위해 인공성대 취급 시 무균 기법을 항상 이용하십시오.

2. 사용 안내

2.1 인공성대 크기 선택

교체용 인공성대의 올바른 샤프트 직경 및 길이 선택

반드시 샤프트 직경 및 길이가 적합한 Provox Vega 인공성대를 사용해야 합니다. Provox Vega는 다양한 샤프트 직경과 길이로 제공됩니다.

- **샤프트 직경 선택**
임상의가 환자에게 적합한 인공성대의 직경을 결정해야 합니다. 선택한 직경이 이전 인공성대보다 큰 경우, 삽입할 인공성대 직경에 맞는 Provox Dilator를 사용하여 관을 확장해야 합니다. 샤프트 직경이 작은 인공성대를 삽입하는 경우, 천공이 적합한 직경에 맞게 수축되는지 관찰하고 확인하십시오.
- **샤프트 길이 선택**
올바른 길이를 선택하기 위해 현재의 인공성대를 자체 측정 장치로 사용할 수 있습니다. 이전 인공성대의 기관 플랜지와 점막 벽 사이에 공간이 너무 많으면(즉, 3 mm / ~0.12인치 이상) 더 짧은 인공성대를 사용해야 합니다. 인공성대가 너무 짝 짝 경우, 더 긴 인공성대를 사용해야 합니다.

2.2 준비

(그림 3-6)

인공성대 배치

1. 삽입 핀의 끝부분이 인공성대의 파란색 링 쪽에 위치한 채로 인공성대가 삽입 핀에 올바르게 위치하고 단단히 부착되어 있는지 확인합니다(그림 3).

식도 플랜지 접기

2. 삽입 핀이 폴딩 장치에 올바르게 위치하는지 확인합니다(핀이 폴딩 장치에 끼워짐).
3. 손가락 2개로 폴딩 장치를 눌러 좁힙니다(그림 4).
4. 폴딩 장치가 닫힌 상태에서 장착 튜브를 연결하고 제자리에 잠길 때까지 장착 튜브를 돌립니다(그림 5).
(캡슐 삽입에는 해당 안 됨)

장착

5. 인공성대가 장착 튜브의 링과 정렬될 때까지 삽입 핀을 앞으로 밀니다(그림 6).
(캡슐 삽입에는 해당 안 됨)

이전 인공성대 제거

6. 지혈검자로 현재 인공성대를 잡아 당겨 TE 천공에서 현재(이전) 인공성대를 제거합니다. 또는 의사의 재량에 따라 인공성대의 기관 플랜지를 검자로 잡아 절단할 수도 있습니다. 그런 다음 인공성대의 나머지 부분을 식도로 밀어 넣어 장관까지 통로를 만듭니다. 이 방법을 사용하기 전에 환자의 장 질환 병력을 고려해야 합니다.

천공 준비(선택 사항)

7. 천공을 확장하여 인공성대의 삽입을 준비할 수 있습니다. 이 작업은 대개 필요하지 않지만, 천공이 각지거나 딱 끼어 쉽게 접히는 경우에 이 작업을 하면 삽입이 용이해집니다.

2.3 삽입, 전행성 교체 시술

Provox Insertion System을 사용하여 Provox Vega 인공성대를 삽입하는 데는 4 가지 방법이 있습니다. 어떤 방법을 사용할지 선택하는 것은 임상의의 재량입니다.

- 2.3.1 시스템 삽입: 삽입 시스템 전체를 사용합니다.
- 2.3.2 튜브 삽입: 삽입 전에 폴딩 장치를 제거합니다.
- 2.3.3 오버슈팅 삽입: 인공성대 전체를 식도에 전개한 후 필요한 위치까지 후퇴시킵니다.
- 2.3.4 캡슐 삽입: 삽입 전에 인공성대를 Provox Capsule에 넣습니다.

2.3.1 방법 1: 시스템 삽입

1. **TE 천공 진입**
장착 튜브로 Provox Insertion System을 고정합니다. 장착 튜브의 끝부분을 천공에 삽입합니다. 저항이 느껴질 경우 조심해서 진행합니다. 저항이 있는 경우 확장 및/또는 윤활을 하면 삽입이 용이해질 수 있습니다.
2. **인공성대 삽입**
한 손으로 장착 튜브를 흔들리지 않게 잡고, 말단부 그림 면의 화살표가 폴딩 장치의 하단 모서리와 일치할 때까지 다른 손으로 삽입 핀을 밀니다(그림 7). 그러면 인공성대의 식도 플랜지가 식도에 완전히 퍼집니다.

3. 인공성대 방출

천공에서 장착 튜브와 폴딩 장치를 함께 똑바로 당겨 빼냅니다. 인공성대가 삽입 핀에 여전히 부착된 채로 천자에 남아 있습니다.

4. 시술 끝내기

삽입이 끝났으면 아래 2.5절에 설명된 대로 시술을 끝냅니다.

2.3.2 방법 2: 튜브 삽입

인공성대를 장착 튜브 안에 밀어 넣은 후에는 시야 확보를 위해 폴딩 장치를 제거해도 됩니다.

참고: 인공성대 장착 시 식도 플랜지가 올바르게 접히도록 하기 위해 폴딩 장치가 부착된 Provox Insertion System을 반드시 사용하는 것이 중요합니다.

1. 폴딩 장치 제거

장착 튜브에서 폴딩 장치를 풀고 분리하여 폴딩 장치를 제거합니다(그림 8).

2. TE 천공 진입

장착 튜브로 Provox Insertion System을 고정합니다. 장착 튜브의 끝부분을 천공에 삽입합니다. 저항이 느껴질 경우 조심해서 진행합니다. 저항이 있는 경우, 확장 및/또는 윤활을 하면 삽입이 용이해질 수 있습니다.

3. 인공성대 삽입

근위부 그립 면의 화살표가 장착 튜브와 일치할 때까지 다른 손으로 삽입 핀을 밀니다(그림 9). 그러면 인공성대의 식도 플랜지가 식도에 완전히 퍼집니다.

4. 인공성대 방출

한 손으로 장착 튜브를 잡고 다른 손으로 삽입 핀을 잡습니다. 식도 플랜지가 앞쪽 식도 벽에 닿았다고 느껴질 때까지 장착 튜브와 삽입 핀을 모두 다시 잡아당깁니다. 그런 다음 삽입 핀에서 손을 떼고 천공에서 장착 튜브를 똑바로 당겨 빼냅니다. 그러면 기관 플랜지가 방출됩니다.

참고: 기관 플랜지가 식도나 천공 안에서 퍼진 경우(의도치 않은 오버슈팅), 지혈검자로 기관 플랜지를 잡아 인공성대를 회전시키고 당겨 제자리에 위치시킵니다.

5. 시술 끝내기

삽입이 끝났으면 아래 2.5절에 설명된 대로 시술을 끝냅니다.

2.3.3 방법 3: 오버슈팅 삽입

까다로운 TE 천공의 경우에 식도 플랜지의 안전한 전개를 위해 때로 Provox Vega 인공성대의 오버슈팅을 수행합니다.

1. 폴딩 장치 제거(선택 사항)

인공성대를 장착 튜브 안으로 밀어 넣었으면 폴딩 장치를 풀고 장착 튜브에서 분리하여 제거합니다(그림 8).

2. TE 천공 진입

장착 튜브로 Provox Insertion System을 고정합니다. 장착 튜브의 끝부분을 천공에 삽입합니다. 저항이 느껴질 경우 조심해서 진행합니다. 저항이 있는 경우, 확장 및/또는 윤활을 하면 삽입이 용이해질 수 있습니다.

3. 인공성대 삽입

한 손으로 장착 튜브를 흔들리지 않게 잡고 다른 손으로 근위부 그립 면을 지날 때까지 삽입 핀을 밀니다(그림 10). 그러면 인공성대가 식도에 완전히 전개됩니다(그림 11).

폴딩 장치가 장착된 상태로 오버슈팅 삽입을 수행하는 경우, 말단부 그립 면을 지날 때까지 삽입 핀을 밀니다. 그러면 인공성대가 식도에 완전히 전개됩니다(그림 12).

4. 인공성대 방출

천공에서 장착 튜브를 똑바로 당겨 빼냅니다. 인공성대가 삽입 핀에 여전히 부착된 채로 식도에 남아 있습니다. 지혈검자로 기관 플랜지를 잡아 인공성대를 회전시키고 당겨 제자리에 위치시킵니다.

5. 시술 끝내기

삽입이 끝났으면 아래 2.5절에 설명된 대로 시술을 끝냅니다.

2.3.4 방법 4: 캡슐 삽입

용도

Provox Capsule은 후두절제술을 받은 환자의 기관식도 천공에 임상이가 표준 인공성대를 전방 삽입하기 위한 일회용 부속품입니다.

장치 설명

Provox Capsule은 물에 녹는 식물성 원료로 제작되며 3가지 직경의 인공성대(17, 20 및 22.5 Fr.)에 맞는 크기로 제공됩니다.

경고

- 삽입하기 전에 인공성대가 올바르게 접혀 있고 Provox Capsule에 올바르게 삽입되어 있는지 항상 확인하십시오. Provox Capsule이 너무 일찍 빠지면 흡입될 수 있습니다. 윤활제는 캡슐의 부착력을 훼손시킬 수 있습니다.
- 오염이 의심되는 경우, Provox Capsule을 사용하지 마십시오.
- 패키지가 캡슐이 손상된 것으로 보이는 경우, Provox Capsule을 사용하지 마십시오.
- 기관식도 천공에 삽입한 후 인공성대가 올바르게 작동하는지 확인하십시오. 삽입한 후에는 인공성대의 사용 안내에 명시된 안전 주의사항을 항상 준수하십시오.

사전 주의사항

- Provox Capsule에 식도 플랜지를 삽입할 때 날카로운 물건을 사용하지 마십시오. 인공성대가 손상될 수 있습니다.
- 인공성대의 직경과 크기가 같거나 또는 한 사이즈 큰 Provox Capsule만 사용하십시오.

Provox Insertion System의 폴딩 장치를 사용하여 표준 Provox Vega 인공성대의 식도 플랜지를 접어 Provox Capsule*에 넣을 수 있습니다. 아래 시술에서는 장착 튜브를 사용하지 않습니다.

1. 인공성대를 Provox Capsule에 삽입

Provox Capsule의 긴 부분은 버리고 짧은 부분을 삽입하십시오. 손가락 2개로 폴딩 장치를 눌러 좁힌 상태에서 폴딩 장치의 구멍에 캡슐을 넣습니다(그림 13). 검지로 캡슐을 누른 채로 폴딩 장치를 모읍니다(그림 14). 또는 Provox TwistLock을 사용하여 폴딩 장치를 모읍니다. 삽입 핀을 앞쪽으로 확실히 밀니다. 그러면 인공성대의 식도 플랜지가 캡슐에 장착됩니다.

2. 장착 상태가 올바른지 확인

이제 인공성대가 Provox Capsule에 장착되었으므로 삽입 핀에서 폴딩 장치를 제거해도 됩니다. 식도 플랜지가 캡슐 안에 있는지 확인하십시오(그림 15). 인공성대가 올바르게 접히지 않았으면 새로운 Provox Capsule로 장착 과정을 반복해야 합니다. 인공성대의 끈이 인공성대를 천공에 삽입할 때 사용되는 삽입 핀에 고정되어 있는지 확인합니다.

3. 이전 인공성대를 제거하고 기관식도 천공을 준비합니다(2.2절 6항 및 7항 참조).

4. Provox Capsule을 천공에 삽입합니다.

Provox Capsule이 옹해되고 식도 플랜지가 펼쳐질 때까지 인공성대를 완전히 삽입된 위치에 유지합니다. 인공성대 끈을 살짝 잡아당겨 올바른 위치에 있는지 확인하십시오.

5. 인공성대 방출

인공성대에서 삽입 핀을 제거합니다. 인공성대가 천공에 남아 있습니다.

6. 시술 끝내기

삽입이 끝났으면 아래 2.5절에 설명된 대로 시술을 끝냅니다.

* 일부 국가에는 제공되지 않음.

2.4 Provox Insertion System 조립 및 재장착

첫 번째 시도에서 Provox Vega를 TE 천공에 삽입하는 데 실패하더라도 인공성대를 Provox Insertion System에 재장착할 수 있습니다.

인공성대 배치

1. 기관 쪽이 아래의 삽입 핀 상단을 향하도록 하여 인공성대를 장착합니다.
2. 한쪽에서 연결 슬롯을 통과시켜 안전 끈을 연결합니다.
3. 삽입 핀의 끝부분이 인공성대의 파란색 링 쪽에 위치한 채로 인공성대가 삽입 핀에 올바르게 위치하고 단단히 부착되어 있는지 확인합니다(그림 3).

폴딩 장치 연결

4. 삽입 핀이 딸각 소리를 내며 제자리에 위치할 때까지 삽입 핀을 폴딩 장치의 구멍으로 통과시킵니다. 삽입 핀이 폴딩 장치에 끼워질 때까지 삽입 핀을 당깁니다(그림 16). 이제 Provox Insertion System을 준비할 수 있습니다. 위 2.2절에 설명된 대로 준비 작업을 계속합니다.

주의: 2회를 초과하여 재장착하지 마십시오. 손상 징후가 있는 Provox Vega 인공성대는 사용하지 마십시오.

2.5 시술 끝내기

삽입 후:

잘 맞는지 확인

1. 삽입 핀을 회전시킨 후 조심스럽게 당겨 인공성대의 위치가 올바른지 확인합니다(그림 17). 안전 끈이 아래쪽을 향하면 인공성대가 올바른 위치에 있는 것입니다.

정상 작동 여부 테스트

2. Provox Brush로 Provox Vega를 솔질합니다. 환자에게 말을 시키고 환자가 물을 마실 때 인공성대의 누출 여부를 관찰하여 인공성대가 올바르게 작동하는지 테스트합니다(그림 18).

안전 끈 절단

3. 인공성대가 올바르게 배치되었으면 안전 끈을 절단하여 기관 플랜지와 일치시킵니다(그림 19). 이제 Provox Vega 인공성대를 사용할 준비가 되었습니다.

2.6 폐기

사용한 의료 장치를 폐기할 때에는 항상 생물학적 위험 물질에 관한 의료계 관행과 국가별 요구 사항을 준수하십시오.

3. 중요 환자 정보

3.1 일반 정보

다음의 경우 임상의에게 연락하도록 환자에게 주지시키십시오.

- 인공성대나 그 주변에 누출이 있는 경우(기침 및/또는 점액 색 변화).
- 발성이 힘들어지는 경우(말할 때 힘이 들거나 말소리가 부자연스러워짐).
- 천공 또는 기문 부위에 염증 또는 조직 변화의 징후가 있는 경우(통증, 발적, 열, 부기, 솔질 후 술에 혈흔이 남음).

또한 다음 사항을 환자에게 알려십시오.

- 인공성대 교체 후 타액에 혈흔이 보일 수 있습니다. 이는 TE 천공 가장자리의 육아 조직에서 발생한 것일 수 있습니다.
- 인공성대의 누출을 임시로 막기 위해 Provox Vega Plug를 사용할 수 있습니다.
- 최적의 음성, 능숙한 발성 및 최적의 발음 명료성을 얻으려면, 훈련을 받은 임상의가 진행하는 발성 훈련 세션에 참가하는 것이 좋습니다.

3.2 인공성대 유지 관리

Provox Vega 인공성대의 세정 시기 및 방법을 환자에게 설명해 주십시오. 하루에 2회 이상 인공성대를 세정하면 장치 수명을 늘릴 수 있습니다.

주의: 인공성대 세정 시 Provox Vega용으로 제작된 정품 Provox 부속품만 사용하십시오.

- Provox Brush로 인공성대를 하루에 2회 솔질하면 인공성대에서 점액과 음식 찌꺼기를 제거하는 데 도움이 됩니다.
- Provox Flush로 인공성대를 세정하면 인공성대에서 찌꺼기와 점액을 제거하고 장치 수명을 늘리는 데 도움이 됩니다.
참고: Provox Flush는 장치를 처방한 임상 의사가 사용 안내를 숙지하고 임상 의 감독 없이 항상 이를 준수할 수 있다고 판단한 환자만이 사용할 수 있습니다.
- 유산균이 함유된 요구르트나 버터 우유 등을 매일 섭취하면 칸디다의 과도한 증식을 억제하는 데 유용한 것으로 알려져 있습니다.

Provox Vega 세정 방법에 대한 자세한 내용은 각 부속품의 사용 안내를 참조하십시오.

4. 추가 정보

4.1 MRI, X선 및 방사선 요법과의 호환성

테스트 결과, Provox Vega 인공성대는 자기공명영상(MRI)(최대 3Tesla로 테스트), X선 및 방사선 요법(최대 70Gy로 테스트)과 호환되는 것으로 확인되었습니다. 검사/치료 중에 인공성대를 TE 천공에 그대로 두어도 무방합니다. 방사선 비투과 밸브 시트는 X선 촬영에 나타납니다.

4.2 장치 수명

장치 수명은 개별 생물학적 환경에 따라 달라지므로 장치의 장기적인 무결성을 예측하는 것은 불가능합니다. 장치의 재료 성분은 세균, 이스트 등의 영향을 받으며, 장치의 구조적 무결성은 시간이 흐르면서 저하됩니다.

12개월 동안 모의 사용을 거친 실험실 테스트 결과, 세균과 이스트가 없는 상태에서 이 장치는 12개월 동안 구조적 무결성을 유지했습니다. 이 장치는 12개월을 초과한 기간에 대해서는 테스트되지 않았습니다. 이 한계를 벗어나 사용하는 것은 처방자의 단독 재량에 의한 것입니다.

4.3 항진균제와의 호환성

실험실 테스트 결과, 다음 항진균제 사용 시 Provox Vega 인공성대 및 구성품에 약간의 부정적인 영향만을 미치는 것으로 나타났습니다: 니스타틴(Nystatin), 플루코나졸(Fluconazole), 미코나졸(Miconazol).

5. 보고

장치와 관련하여 발생한 심각한 사고는 제조업체와 사용자 및/또는 환자가 거주하는 국가의 국가기관에 신고해야 합니다.

繁體中文

Provox® Vega™

1. 說明資訊

1.1 預定用途

Provox Vega 人工發聲瓣為滅菌一次性留置式裝置，專用於喉頭移除手術（喉頭切除術）後的聲音復健。患者進行人工發聲瓣清潔時，該裝置須保持原來位置。

Provox Insertion System 為滅菌式一次性裝置，專用於 Provox Vega 人工發聲瓣的順行性更換。必須由醫生或受過訓練的醫療專業人員按當地或國家準則進行此更換手術。

Provox Insertion System 不可用於在新近形成的穿刺口中插入人工發聲瓣。

1.2 裝置說明

一般

Provox Vega 為單向閥門（人工發聲瓣），可使氣管食道穿刺口保持開啟以進行發聲，同時降低液體和食物進入氣管的風險。Provox Vega 人工發聲瓣並非永久性植入物，需要定期更換。我們提供不同直徑與多種長度的人工發聲瓣（圖 1）。裝置由醫用級矽膠和氟塑膠製成。

Provox Vega 套裝

Provox Vega 套裝包含下列項目：

- 1 個 Provox Vega 人工發聲瓣（已於一次性 Insertion System 中預先組裝）；滅菌式（圖 2）
- 1 個相應人工發聲瓣尺寸的 Provox Brush；非滅菌式
- 1 本《Provox Vega 醫生手冊》
- 1 本《Provox Vega 患者手冊》
- 1 本《Provox Brush 使用說明》

1.3 禁忌症

目前在透過人工發聲瓣進行聲音復健的患者中，並未出現任何有關 Provox Vega 人工發聲瓣的已知使用或更換禁忌症。

1.4 警告

- **Provox Vega 人工發聲瓣若從氣管食道穿刺口中移位或受擠壓**，其後可能會造成被吞下、吸入或組織損傷。氣管中有異物可能會導致嚴重的併發症，例如急性呼吸窘迫和/或呼吸驟停。
- **請選擇尺寸適合的人工發聲瓣**。置入緊繃人工發聲瓣可能會導致組織壞死與裝置擠出。
- 若出現任何組織腫脹和/或發炎/感染的徵象，**請指示患者立即諮詢醫生**。
- 若人工發聲瓣本身或人工發聲瓣周圍漏氣，**請指示患者立即諮詢醫生**。漏氣可能會導致吸入性肺炎。
- **若使用喉切除術套管或造口鈕**，請選擇合適尺寸，以避免在插入和移除期間對人工發聲瓣施加壓力或勾住其氣管固定邊。否則可能會導致嚴重組織損傷和/或意外吞下人工發聲瓣。
- **指示患者，只能使用相應尺寸的原廠 Provox 配件** (Brush·Flush·Plug) 來進行保養，避免所有其他類型的操作。
- **重複使用和重新處理**可能會導致裝置的交叉污染和損壞，這可能對患者造成傷害。

1.5 注意事項。

- 在置入或更換人工發聲瓣之前，請對患有出血性疾病或正在接受抗凝劑治療的患者進行審慎評估，確認是否有滲血或出血風險
- 使用前請檢查套裝內容。如果套裝損壞或曾遭到開啟，請勿使用本產品。
- 處理人工發聲瓣時一律使用無菌技術，以降低感染風險。

2. 使用說明

2.1 選擇人工發聲瓣的尺寸

選擇更換人工發聲瓣的正確軸桿直徑和長度

確認使用正確軸桿直徑和長度的 Provox Vega 人工發聲瓣。Provox Vega 提供不同軸桿直徑與多種長度。

- **選擇軸桿直徑**
醫生應判斷適合患者的正確人工發聲瓣直徑。
如果所選擇的直徑大於先前的人工發聲瓣，則必須使用適合插入之人工發聲瓣直徑的 Provox Dilator 來擴大穿刺口。
如果插入較小軸桿直徑的人工發聲瓣，請觀察並確保將穿刺口縮小至合適直徑。
- **選擇軸桿長度**
若要選擇正確的長度，您可能需要使用當前的人工發聲瓣作為其本身的度量裝置。
如果舊人工發聲瓣的氣管固定邊和黏膜壁之間存在過大（即3毫米/約0.12 英寸或以上）的空間，則應使用更短的人工發聲瓣。如果人工發聲瓣置入過緊，則應使用更長的人工發聲瓣。

2.2 準備

(圖 3-6)

定位人工發聲瓣

1. 確認人工發聲瓣正確定位於置入桿上並穩固連接，且置入桿尖端完全定位於人工發聲瓣的藍色環中 (圖 3)。

摺疊食道固定邊

2. 確認置入桿已正確定位於摺疊工具 (置入桿應卡扣至摺疊工具中)。
3. 使用兩指同時擠壓摺疊工具 (圖 4)
4. 連接置入管同時保持摺疊工具閉合，並扭轉置入管直到其卡至定位 (圖 5)。
(膠囊插入不適用)

置入

5. 向前推動置入桿直到人工發聲瓣與置入管上的可見環對齊 (圖 6)。(膠囊插入不適用)

移除舊的人工發聲瓣

6. 使用無鋸齒止血鉗，將當前 (舊) 的人工發聲瓣從氣管食道穿刺口拉出移除。或者，由醫生酌情決定，以鉗具夾住人工發聲瓣的氣管固定邊並剪斷。將剩餘部分的人工發聲瓣推入食道中，以通過腸道。使用此方法前，應將患者的任何腸臟疾病病史列入考量。

準備穿刺口 (選擇性)

7. 可能須擴大穿刺口，以備插入人工發聲瓣。此方法通常為非必要之步驟，但可協助插入患者容易塌陷之有角度或緊繃的穿刺口。

2.3 插入、順行性更換手術

以下提供四種可用於透過 Provox Insertion System 插入 Provox Vega 人工發聲瓣的方式。插入方式須透過醫生審慎選擇。

- 2.3.1 系統插入: 會用到整個插入系統。
- 2.3.2 置入管插入: 插入前須移除摺疊工具。
- 2.3.3 過度超出插入: 整個人工發聲瓣會在食道內展開，並回縮至預定位置。
- 2.3.4 膠囊插入: 插入前，會將人工發聲瓣置入 Provox Capsule。

2.3.1 方式 1：系統插入

1. 進入氣管食道穿刺口

握住 Provox Insertion System 的置入管。使用置入管尖端進入穿刺口。如果遇到阻力，請謹慎推進。如發生阻力問題，請擴大穿刺口和/或塗抹潤滑劑，即可輕鬆插入。

2. 插入人工發聲瓣

一手牢固地握住置入管，另一手推動置入桿直到遠側握把面的箭頭與摺疊工具的底部邊緣齊平（圖 7）。至此，人工發聲瓣的食道固定邊即可完全在食道內展開。

3. 釋放人工發聲瓣

直接將置入管和摺疊工具同時拉出穿刺口。人工發聲瓣會留在穿刺口中，且與置入桿穩固連接。

4. 完成手術

完成插入後，請依照以下第 2.5 節之說明完成手術。

2.3.2 方式 2：置入管插入

若要提升可見度，則可在人工發聲瓣推入置入管後，將摺疊工具移除。

備註：置入人工發聲瓣時請務必一律使用連接摺疊工具的 Provox Insertion System，以確保食道固定邊正確摺疊。

1. 移除摺疊工具

透過鬆開和拔除方式，將摺疊工具從置入管移除（圖 8）。

2. 進入氣管食道穿刺口

握住 Provox Insertion System 的置入管。使用置入管尖端進入穿刺口。如果遇到阻力，請謹慎推進。如發生阻力問題，請擴大穿刺口和/或塗抹潤滑劑，即可輕鬆插入。

3. 插入人工發聲瓣

另一手推動置入桿，直到近側握把面的箭頭與置入管齊平（圖 9）。至此，人工發聲瓣的食道固定邊即可完全在食道內展開。

4. 釋放人工發聲瓣

一手握住置入管，另一手握住置入桿。同時向後拉動置入管和置入桿，直到您感覺食道固定邊碰觸到前食道壁。接著，鬆開置入桿並將置入管直接拉出穿刺口。如此即可釋放氣管固定邊。

備註：如果氣管固定邊在食道或穿刺口內展開（無預定使用「過度超出」技術），使用無鋸齒止血鉗夾住氣管固定邊，並拉動/轉動人工發聲瓣使其卡至定位。

5. 完成手術

完成插入後，請依照以下第 2.5 節之說明完成手術

2.3.3 方式 3：過度超出插入

「過度超出」插入 Provox Vega 人工發聲瓣為偶爾採取的方式，可在難以操作的氣管食道穿刺口中確保食道固定邊完全展開。

1. 移除摺疊工具（選擇性）

將人工發聲瓣推入置入管後，透過鬆開和拔除方式將摺疊工具從置入管移除（圖 8）。

2. 進入氣管食道穿刺口

握住 Provox Insertion System 的置入管。使用置入管尖端進入穿刺口。如果遇到阻力，請謹慎推進。如發生阻力問題，請擴大穿刺口和/或塗抹潤滑劑，即可輕鬆插入。

3. 插入人工發聲瓣

一手牢固地握住置入管，另一手推動置入桿，直到超出近側握把面（圖 10）。至此人工發聲瓣即可在食道內完全展開（圖 11）。

如果您使用保持組裝的摺疊工具進行「過度超出」插入，請將置入桿推出遠側握把面。至此人工發聲瓣即可在食道內完全展開（圖 12）。

4. 釋放人工發聲瓣

直接將置入管拉出穿刺口。人工發聲瓣會留在食道中，且與置入桿穩固連接。使用無鋸齒止血鉗夾住氣管固定邊，並拉動/轉動人工發聲瓣使其卡至定位。

5. 完成手術

完成插入後，請依照以下第 2.5 節之說明完成手術

2.3.4 方式 4：膠囊置入

預定用途

Provox Capsule 為一次性配件，供醫生由全喉切除病人的氣管食道穿刺口順行置入標準人工發聲瓣。

裝置說明

Provox Capsule 由源自於植物的水溶性材料製成，且可提供適合三種不同直徑之人工發聲瓣的尺寸：17、20 和 22.5 Fr。

警告

- 請務必確保人工發聲瓣已正確摺疊，且在順行置入前已正確插入 Provox Capsule。如 Provox Capsule 提早脫落則可能會被吸入。請注意，潤滑劑會降低膠囊的附著力。
- 如疑有污染，請勿使用 Provox Capsule。
- 如包裝或膠囊出現損壞情況，請勿使用 Provox Capsule。
- 請確保人工發聲瓣由氣管食道穿刺口插入後運作正常。請務必遵循使用說明所述關於人工發聲瓣插入後的安全注意事項。

注意事項

- 請勿使用尖銳物品將食道固定邊插入 Provox Capsule，否則可能損害人工發聲瓣。
- 僅可使用與人工發聲瓣相同尺寸或直徑大一個尺寸的 Provox Capsule。

Provox Insertion System 的摺疊工具，可用於將標準 Provox Vega 人工發聲瓣的食道固定邊摺入 Provox Capsule*。此手術當中不會用到置入管。

1. 將人工發聲瓣插入 Provox Capsule

棄置 Provox Capsule 長的那部分，然後以短的部分插入。使用兩指同時擠壓摺疊工具，並將膠囊置於摺疊工具的開口（圖 13）。保持摺疊工具合併，同時使用食指向下按壓膠囊（圖 14）。或者，使用 Provox TwistLock 保持摺疊工具合併。向前穩固推動置入桿，即可將人工發聲瓣的食道固定邊置入膠囊中。

2. 檢查是否已正確置入

人工發聲瓣目前已置入 Provox Capsule 中，而摺疊工具可從置入桿移除。確認食道固定邊位於膠囊內（圖 15）。如果人工發聲瓣未正確摺疊，則應使用新的 Provox Capsule 重複進行置入程序。請確保人工發聲瓣的安全帶已固定於置入器桿，該桿是用於將人工發聲瓣插入穿孔口中。

3. 移除人工發聲瓣並準備氣管食道穿孔口（請參閱第 2.2 節第 6 和 7 點）。

4. 將 Provox Capsule 插入穿孔口。

將人工發聲瓣維持在完全插入的位置，直到 Provox Capsule 溶解且食道固定邊完全展開為止。輕拉人工發聲瓣的安全帶以確認其定位正確。

5. 釋放人工發聲瓣

將置入器桿從人工發聲瓣移除。人工發聲瓣會留在穿孔口中。

6. 完成手術

完成插入後，請依照以下第 2.5 節之說明完成手術

* 不適用於所有國家/地區。

2.4 組裝及重新置入 Provox Insertion System

如果首次嘗試將 Provox Vega 插入氣管食道穿孔口失敗，可以將人工發聲瓣重新置入 Provox Insertion System。

定位人工發聲瓣

1. 安裝人工發聲瓣，將氣管側朝下面對置入桿頂端。
2. 將安全帶穿入兩側連接槽進行連接。
3. 確認人工發聲瓣正確定位於置入桿上並穩固連接，且置入桿尖端完全定位於人工發聲瓣的藍色環中（圖 3）。

連接摺疊工具

4. 將置入桿導入摺疊工具的開口直到其卡至定位。拉動置入桿直到其卡扣至摺疊工具中（圖 16）。Provox Insertion System 目前已準備就緒。依照以上第 2.2 節的說明繼續準備。

注意：重新置入次數請勿超過兩次。如果 Provox Vega 人工發聲瓣出現任何損壞的徵象，請勿使用。

2.5 完成手術

插入後：

確認正確置入

1. 轉動並輕輕拉動置入桿，確認人工發聲瓣正確定位（圖 17）。若安全帶朝向下，即人工發聲瓣位於理想位置。

測試功能正確運作

2. 使用 Provox Brush 塗刷 Provox Vega。要求患者說話，並觀察確認其喝水時人工發聲瓣不會發生洩漏情形，藉以測試該裝置之功能是否正確運作（圖 18）。

剪斷安全帶

3. 確認人工發聲瓣正確置入後，剪斷安全帶，確認該裝置與氣管固定邊齊平（圖 19）。Provox Vega 人工發聲瓣現已可以使用了。

2.6 丟棄

丟棄使用過的醫療裝置時，請遵照生物危害相關醫療實踐與國家規範。

3. 重要患者資訊

3.1 一般資訊

如發生以下情形，確認患者瞭解應與醫生聯絡：

- 人工發聲瓣中間或周圍漏氣（引起咳嗽和/或黏液顏色改變）。
- 說話變得困難（需要更用力和/或聲音聽起來更緊繃）。
- 穿刺部位或造口區域出現炎症或組織變化等任何徵象（疼痛、發紅、發熱、腫脹、塗刷後刷毛有血跡）。

另外，告知患者以下情形：

- 更換人工發聲瓣後，痰液中可能會出現血跡。這可能是因為氣管食道穿孔口邊緣出現顆粒化組織所引起。
- Provox Vega Plug 可用於暫時阻擋人工發聲瓣出現漏氣問題。
- 建議患者接受經訓練之醫生的「說話訓練課程」，使其能夠發出理想聲音、順暢說話，並建立理想的言語辨識度。

3.2 人工發聲瓣保養

指示患者清潔 Provox Vega 人工發聲瓣的時間與方式。每天至少清潔人工發聲瓣兩次，可幫助延長裝置壽命。

注意：清潔人工發聲瓣時，只限使用適合與 Provox Vega 搭配使用的 Provox 原廠配件。

- 每天使用 Provox Brush 清潔人工發聲瓣兩次，可幫助去除該裝置上的黏液和食物殘渣。

- 使用 Provox Flush 沖洗人工發聲瓣也可幫助清潔該裝置上的碎屑和黏液，並延長其壽命。

備註：Provox Flush 只限用於在無醫生監督下表達瞭解且能持續遵循使用說明的患者（需曾接受開立裝置處方的醫生評估）。

- 部分飲食方式（例如每日攝取含有乳酸桿菌的優格或乳酪）被認為可有效防止念珠菌屬過度增生。

有關如何清潔 Provox Vega 的詳細資訊，請參閱各配件的說明。

4. 其他資訊

4.1 與核磁共振成像、X 光與放射治療的相容性

Provox Vega 人工發聲瓣經測試發現可相容於核磁共振成像（經最高 3 特士拉單位測試）、X 光和放射治療（經最高 70 戈雷單位測試）。人工發聲瓣在檢驗/治療階段期間可留置於氣管食道穿刺口內。請注意，不透射線閥座會顯示於 X 光之下。

4.2 裝置使用壽命

裝置的使用壽命因不同的個體生物環境而異，因此無法預測本裝置在經過較長時間使用後的完整性。本裝置的材料會受到細菌和酵母菌等的影響，其結構完整性最終會受到破壞。

經實驗室 12 個月的模擬使用測試結果顯示，在無細菌和酵母菌的環境中，本裝置可在此期間維持其結構完整性。該裝置使用測試時間未超過 12 個月。超過此期限的使用由處方者酌情決定。

4.3 與抗真菌藥物的相容性

實驗室測試顯示，使用以下抗真菌藥物對 Provox Vega 人工發聲瓣及組件的功能產生的不良影響極小：Nystatin、Fluconazole 和 Miconazol。

5. 回報

請注意，與裝置相關的任何嚴重事件均應回報給使用者和/患者所在國家/地區的製造商和政府當局。

2.5 השלם את ההליך

לאחר ההכנסה:

ודא התאמה נכונה

1. ודא מיקום נכון של תותב הדיבור על ידי סיבובו ומשיכה עדינה בפין ההכנסה (איור 17). התותב נמצא במיקום אידיאלי כאשר רצועת הביטחון מצביעה כלפי מטה.
2. **בחן ביצוע נכון**
הברש את Provox Vega עם מברשת Provox Brush. כדי לבחון את ביצועי התותב, בקש מהמטופל לדבר ובדוק שהתותב לא דולף בזמן שהמטופל שותה מים (איור 18).
3. **חתוך את רצועת הביטחון**
לאחר שוויידת שותותב הדיבור ממוקם כראוי, חתוך את רצועת הביטחון כך שהיא נמצאת ברצף עם אוגן קנה הנשימה (איור 19). תותב הדיבור Provox Vega מוכן כעת לשימוש.

2.6 סילוק

יש להקפיד לפעול בהתאם לפרקטיקה הרפואית המקובלת ולדרישות הנהוגות במדינה בנוגע לגורמי סיכון ביולוגי בעת סילוק של התקן רפואי משומש.

3. מידע חשוב למטופל

3.1 מידע כללי

יש לוודא שהמטופל מבין כי עליו לפנות לרופא שלו אם:

- קיימת דליפה דרך או מסביב לתותב (שיעול ו/או שינוי בצבע ריר / ליחה).
- קושי בדיבור (מאמץ גדול יותר ו/או קול שנשמע מתוח יותר).
- קיימים סימנים לדלקת או שינויים ברקמה באזור החתך או אזור הסטומה (כאב, אדמומיות, חום, נפיחות, שאריות דם על המברשת לאחר הברשה).

כמו כן, יש להביא לידיעת המטופל כי:

- לאחר החלפת התותב ייתכן ויימצאו שאריות דם בליחה. זה עלול להגיע מרקמת גרנולציה בקצות החתך בין קנה הנשימה לושט.
- ניתן להשתמש ב-Provox Vega Plug על מנת לעצור באופן זמני דליפה דרך תותב הדיבור.
- רצוי לערוך מפגשי אימון דיבור עם רופא מוסמך על מנת להגיע לצליל קול אופטימלי, דיבור שוטף ומובנות אופטימלית.

3.2 תחזוקת התותב

הורה למטופל מתי ואיך לנקות את תותב ה-Provox Vega שלו/ה. ניקוי התותב לפחות פעמיים ביום יכול לעזור להאריך את חיי המכשיר.

זהירות: בעת ניקוי התותב יש להשתמש אך ורק באביזרי Provox מקוריים שמיועדים לשימוש עם מערכת Provox Vega.

- הברשת התותב עם מברשת Provox Brush פעמיים ביום תעזור להסיר ריר / ליחה ושאריות אוכל מהתותב.
- שטיפת התותב עם התקן השטיפה Provox Flush יכולה לעזור לנקות לכלוך ריר / ליחה מהתותב, אשר יכולים להאריך את חיי המכשיר.
- **הערה:** התקן השטיפה Provox Flush מיועד לשימוש רק על ידי מטופלים אשר הראו יכולת להבין ולעקוב בעקביות אחר הוראות השימוש ללא פיקוח הרופא, נתון להערכת הרופא שרושם להם את המכשיר.
- אמצעים תזונתיים מסוימים, כגון צריכה יומית של יוגורט או רוויון המכילים חיידקי לקטובצילוס, נחשבים כמסייעים למניעת צמיחת-יתר של קנדידה.

למידע מפורט על אופן הניקוי של ה-Provox Vega, עיין בהוראות של כל אביזר.

4. מידע נוסף

4.1 תאימות לדימות בתהודה מגנטית (MRI), צילומי רנטגן (X-ray) וטיפול קרינתי

תותבי הדיבור Provox Vega נבדקו ונמצאו מתאימים להדמיית תהודה מגנטית (נבחן עד 3 טסלה), רנטגן והקרנות (נבחנו עד 70 גריי). ניתן להשאיר את התותב בתוך החתך בין קנה הנשימה לושט בזמן הבדיקה/הטיפול. שים לב שתושב השסתום האטום לקרינה מופיע בצילומי רנטגן.

4.2 אורך חיי ההתקן

משך החיים של המכשיר משתנה בהתאם לנסיבות הביולוגיות הפרטניות, ואין אפשרות לחזות את שלמותו של המכשיר על פני פרק זמן ארוך יותר. החומר שממנו עשוי המכשיר יושפע, לדוגמה, מחיידקים ושומרים, והשלמות המבנית של המכשיר תיפגע בסופו של דבר.

בדיקות מעבדה של שימוש מדומה לתקופת מבחן של 12 חודשים מראים שבהיעדר בקטריות או פטריות, המכשיר ישמור על שלמות מבנית במשך הזמן הזה. המכשיר לא נבדק לשימוש מעל 12 חודשים. השימוש מעבר למגבלה זו הוא לפי שיקול דעתו הבלעדי של הרופא המורה על הטיפול.

4.3 תאימות עם תרופות נגד פטריות

בבדיקות מעבדה התגלתה השפעה שלילית מזערית בלבד על התפקוד של תותב הדיבור Provox Vega ושל הרכיבים השונים בעקבות שימוש בתרופות נגד פטריות הבאות: Nystatin (ניסטטין), Fluconazole (פלוקונאזול), Mikonazol (מיקונזול).

5. חובת דיווח

לתשומת לבך, כל תקרית חמורה שתתרחש בהקשר להתקן תדווח ליצרן ולרשות הלאומית במדינת המגורים של המשתמש ו/או המטופל.

1. הסר את כלי הקיפול (אופציונלי)

לאחר שהתותב נדחף לתוך צינור הטעינה, הסר את כלי הקיפול על ידי הסרת הנעילה וניתוקו מצינור הטעינה (איור 8).

2. היכנס לחתך בין קנה הנשימה לוושט

החזק את Provox Insertion System בצינור הטעינה. היכנס לתוך החתך עם קצה צינור הטעינה. המשך בזהירות אם אתה נתקל בהתנגדות. אם קיימת התנגדות, הרחבה ו/או סינון יכולים להקל על ההכנסה.

3. הכנס את תותב הדיבור

החזק את צינור ההכנסה בצורה יציבה עם יד אחת ודחוף את פין ההכנסה עם היד השנייה עד מעבר למשטח האחיזה הפרוקסימלי (איור 10). בשלב זה, תותב הדיבור פרוס בצורה מלאה בוושט (איור 11).

אם מתבצעת הכנסת יתר עם כלי הקיפול מורכב, דחוף את פין ההכנסה מעבר למשטח האחיזה הדיסטלי. בשלב זה תותב הדיבור פרוס במלואה בוושט (איור 12).

4. שחרר את תותב הדיבור

משוך את צינור הטעינה ישירות מחוץ לחתך. התותב נשאר בוושט, עדיין מחובר היטב לפין ההכנסה. תפוס את אוגן קנה הנשימה בעזרת המוסטט לא משוין ומשוך/סובב את תותב הדיבור למקום.

5. השלם את ההליך

לאחר ההכנסה, השלם את ההליך כמתואר מטה בסעיף 2.5.

2.3.4 שיטה 4: הכנסת קפסולה

שימוש מיועד

Provox Capsule היא אביזר לשימוש חד-פעמי להשתלה בכיוון אנטרוגרדי של תותב דיבור סטנדרטי על ידי רופא לתוך הנקב הקני-ושטי של מטופל שעבר כריתת גרון מלאה.

תיאור ההתקן

הקפסולות מסוג Provox Capsule עשויות מחומר מסיס במים ממקור צמחי, וקיימים גדלים שמתאימים לשלושה קטרים שונים של תותבי דיבור, 17, 20 ו-22.5 Fr.

אזהרות

- וודא תמיד כי תותב הדיבור מקופל היטב ושהוא מוחדר בצורה נכונה לתוך ה-Provox Capsule לפני ההשתלה. אם ה-Provox Capsule מתנתקת בטרם עת יתכן שהיא תישאף. שים לב כי חומרי סיכה עלולים להפריע לחיבורה של הקפסולה.
- אל תשתמש ב-Provox Capsule אם קיים חשש לזיהום.
- אל תשתמש בקפסולות מסוג Provox Capsule אם האריזה או הקפסולות נראות פגומות.
- וודא כי תותבת הדיבור פונקציונלית לאחר השתלתה בתוך הניקוב קנה-ושטי. תמיד הקפד על אמצעי הזהירות המפורטים בהוראות השימוש של תותבת הדיבור לאחר ההשתלה.

אמצעי זהירות

- אל תשתמש בפריטים חדים כדי להשתיל את האוגן הושטי לתוך ה-Provox Capsule מכיוון שזה עלול לפגוע בתותב הדיבור.
- השתמש רק ב-Provox Capsule בעלת אותה מידה או מידה אחת יותר גדולה מקוטרן של תותבת הדיבור.

ניתן להשתמש בכלי הקיפול של Provox Insertion System לקיפול אוגן הוושט של תותב דיבור Provox Vega סטנדרטי לתוך Provox Capsule. בהליך זה, לא משתמשים בצינור הטעינה.

1. הכנס את התותב לתוך Provox Capsule

השלך את החלק הארוך של ה-Provox Capsule והשתמש בחלק הקצר להשתלה. לחץ את כלי הקיפול עם שתי אצבעות ומקם את הקפסולה בפתח של כלי הקיפול (איור 13). שמור על כלי הקיפול מחובר, בזמן החזקת הקפסולה למטה עם האצבע המורה (איור 14). לחלופין, השתמש ב-Provox TwistLock כדי לחוץ על כלי הקיפול. דחוף את פין ההכנסה חזק קדימה, זה יטעין את אוגן הוושט של תותב הדיבור לתוך הקפסולה.

2. בדוק טעינה נכונה

תותב הדיבור כעת מוטען לתוך Provox Capsule, וניתן להסיר את כלי הקיפול מפין ההכנסה. ודא כי אוגן הוושט נמצא בתוך הקפסולה (איור 15). אם תותב הדיבור לא מקופל כראוי, יש לחזור על תהליך הטעינה עם Provox Capsule חדשה. וודא כי הרצועה של תותבת הדיבור צמודה למקל ההחדרה המיועד להשתלת התותבת לתוך הניקוב קנה-ושטי.

3. הסר את תותב הדיבור הישן והכן את הנקב הקני-ושטי (ראה סעיף 2.2 נקודות 6 ו-7)

4. השתל את הקפסולה Provox Capsule אל תוך הנקב.

אחוז בתותב הדיבור המוחדר עד שהקפסולה Provox Capsule תימס והאוגן הושטי יפתח בצורה מלאה. משוך בזהירות את הרצועה של תותבת הדיבור כדי לוודא שהיא במיקום הנכון.

5. שחרר את תותב הדיבור

הסר את פין ההכנסה מתותב הדיבור. תותב הדיבור יהיה מונח בתוך הנקב.

6. השלם את ההליך

לאחר ההכנסה, השלם את ההליך כמתואר מטה בסעיף 2.5.

* לא זמין בכל המדינות.

2.4 הרכבה וטעינה מחדש של Provox Insertion System

אם ניסיון ההכנסה הראשון של Provox Vega לתוך החתך בין קנה הנשימה לוושט לא הצליח, ניתן לטעון מחדש את תותב הדיבור לתוך Provox Insertion System.

מיקום תותב הדיבור

1. הרכב את תותב הדיבור עם הצד של קנה הנשימה כלפיי מטה על גבי פין ההכנסה.
2. חבר את רצועת הביטחון על ידי הובלתה דרך חריץ החיבור מאחד הצדדים.
3. ודא כי תותב הדיבור ממוקם כהלכה על פין ההכנסה, מחובר היטב ושקצה הפין ממוקם עד הסוף בתוך הטבעת הכחולה של תותב הדיבור (איור 3).

חבר את כלי הקיפול

4. הובל את פין ההחדרה דרך הפתח בכלי הקיפול עד שהוא נכנס למקום בנקישה. משוך את הפין עד שהפין נכנס לתוך כלי הקיפול (איור 16). Provox Insertion System כעת מוכנה להכנות. המשך בהכנות כמתואר מעלה בסעיף 2.2.

זהירות: אין להטעין יותר מפעמיים. אם קיים כל סימן לנזק על תותב הדיבור Provox Vega, אל תשתמש בתותב הדיבור.

2.2 הכנה

(איורים 3-6)

מיקום תותב הדיבור

1. ודא כי תותב הדיבור ממוקם כהלכה על פין ההכנסה, מחובר היטב, ושקצה הפין מגיע עד הסוף בתוך הטבעת הכחולה של תותב הדיבור (איור 3).

קפל את אוגן הוושט

2. ודא כי פין ההכנסה ממוקם בצורה נכונה עם כלי הקיפול (הפין צריך להיות נעול בתוך כלי הקיפול).
3. לחץ את כלי הקיפול עם שתי אצבעות (איור 4).
4. חבר את צינור הטעינה בזמן שאתה שומר על כלי הקיפול סגור וסובב את צינור הטעינה עד שהוא ננעל במקום (איור 5).
(לא רלוונטי להכנסת קפסולה)

טעינה

5. דחוף את פין ההכנסה קדימה עד שתותב הדיבור מיושר עם הטבעת הנראית לעין על צינור הטעינה (איור 6). (לא רלוונטי להכנסת קפסולה)

הסר את תותב הדיבור הישן

6. הסר את התותב הנוכחי (הישן) מהחתך בין קנה הנשימה לוושט על ידי משיכתו החוצה עם המוסטט לא משונו. לחלופין, לשיקול דעתו של הרופא, ניתן לתפוס את אוגן קנה הנשימה של התותב עם מלקחיים ואז לחתוך אותו. לאחר מכן, דוחפים את שאר התותב לתוך הוושט למעבר דרך מעיים. יש לקחת בחשבון את ההיסטוריה של מחלות מעיים של המטופל לפני השימוש בשיטה זו.

הכן את החתך (אופציונלי)

7. ניתן להרחיב את החתך על מנת להכין אותו להכנסת תותב הדיבור. זה בדרך כלל אינו הכרחי אבל יכול להקל על ההכנסה במטופלים עם חתכים בזווית או חתכים צרים אשר עלולים לקרוס בקלות.

2.3 הכנסה, הליך החלפה אנטרוגרדי

ניתן להשתמש בארבע שיטות להכנסת תותב הדיבור Provox Vega עם Provox Insertion System. בחירת השיטה היא לשיקול דעתו של הרופא.

- 2.3.1 הכנסת המערכת: נעשה שימוש בכל מערכת ההכנסה.
- 2.3.2 הכנסת הצינור: מסירים את כלי הקיפול לפני ההכנסה.
- 2.3.3 הכנסת יתר: כל תותב הדיבור נפרס בוושט ואז מוחזר למקום המיועד.
- 2.3.4 הכנסת קפסולה: תותב הדיבור מוכנס לתוך Provox Capsule לפני ההכנסה.

2.3.1 שיטה 1: הכנסת מערכת

1. היכנס לחתך בין קנה הנשימה לוושט

החזק את Provox Insertion System בצינור הטעינה. היכנס לתוך החתך עם קצה צינור הטעינה. המשך בזירות אם אתה נתקל בהתנגדות. אם קיימת התנגדות, הרחבה ו/או סיכון יכולים להקל על ההכנסה.

2. הכנס את תותב הדיבור

החזק את צינור הטעינה באופן יציב עם יד אחת ודחף את פין ההכנסה עם היד השנייה עד שהחצים במאחז הדיסטלי ממוקמים ברצף עם הקצה התחתון של כלי הקיפול (איור 7). בשלב זה, אוגן הוושט של תותב הדיבור נמצא במצב לא מקופל בוושט.

3. שחרר את תותב הדיבור

משוך את צינור הטעינה וכלי הקיפול ביחד ישירות מתוך החתך. תותב הדיבור נשאר בתוך החתך מחובר היטב לפין ההכנסה.

4. השלם את ההליך

לאחר ההכנסה, השלם את ההליך כמתואר מטה בסעיף 2.5.

2.3.2 שיטה 2: הכנסת הצינור

על מנת להגביר את הנראות, ניתן להוציא את כלי הקיפול ברגע שהתותב הוכנס לתוך צינור הטעינה. הערה: חשוב להשתמש תמיד ב-Provox Insertion System עם כלי ההכנסה המצורף כאשר באים להטעין את התותב כדי לוודא קיפול נכון של אוגן הוושט.

1. הסר את כלי הקיפול

הסר את כלי הקיפול על ידי הסרת הנעילה וניתוקו מצינור הטעינה (איור 8)

2. היכנס לחתך בין קנה הנשימה לוושט

החזק את Provox Insertion System בצינור הטעינה. היכנס לתוך החתך עם קצה צינור הטעינה. המשך בזירות אם אתה נתקל בהתנגדות. אם קיימת התנגדות, הרחבה ו/או סיכון יכולים להקל על ההכנסה.

3. הכנס את תותב הדיבור

דחף את הפין ביד השנייה עד שהחצים במאחז המשטח הפרוקסימלי נמצאים ברצף עם צינור הטעינה (איור 9). בשלב זה, אוגן הוושט של תותב הדיבור נמצא במצב לא מקופל בוושט.

4. שחרר את תותב הדיבור

החזק את צינור הטעינה ביד אחת ואת פין ההכנסה ביד השנייה. משוך את צינור הטעינה ואת פין ההכנסה חזרה עד שאתה מרגיש שאוגן הוושט הגיע לדופן הוושט הקדמית. ברגע זה, עזוב את פין ההכנסה ומשוך את צינור הטעינה מתוך החתך. זה ישחרר את אוגן קנה הנשימה.

הערה: אם אוגן קנה הנשימה נפרס בתוך הוושט או החתך (החטאה לא מכוונת), תפוס את אוגן קנה הנשימה בעזרת המוסטט לא משונו ומשוך/סובב את תותב הדיבור למקום.

5. השלם את ההליך

לאחר ההכנסה, השלם את ההליך כמתואר מטה בסעיף 2.5.

2.3.3 שיטה 3: הכנסת יתר

הכנסת יתר של תותב הדיבור Provox Vega מבוצעת לפעמים על מנת לוודא התפתחות מלאה של אוגן הוושט בחתכים קשים בין הוושט וקנה הנשימה.

1. מידע תיאורי

1.1 שימוש מיועד

תותב הדיבור Provox Vega הוא תותב דיבור סטרילי פנימי לשימוש חד-פעמי המיועד לשיקום הדיבור אחרי הסרה כירורגית של בית הקול. ניקוי תותב הדיבור נעשה על ידי המטופל, כשהתותב נותר במקומו.

Provox Insertion System היא מכשיר סטרילי לשימוש יחיד המיועד להחלפה אנטרוגרדית של תותב הדיבור Provox Vega. הליך החלפה זה מבוצע על ידי רופא או איש מקצוע מוסמך בהתאם להנחיות מקומיות או לאומיות.

Provox Insertion System לא מיועדת לשימוש להכנסת תותב הדיבור לתוך חתך טרי.

1.2 תיאור המכשיר

כללי

ה-Provox Vega הוא שסתום חד כיווני (תותב) אשר שומר את החתך בין קנה הנשימה לוושט פתוח לדיבור, ומקטין את הסיכון לכניסת נוזלים או מזון לקנה הנשימה. תותב הדיבור של Provox Vega אינו שתל קבוע, ויש להחליפו באופן תקופתי. התותב (איור 1) זמין בקטרים שונים ובמספר אורכים. המכשיר עשוי מסיליקון רפואי ופלווארופלסטיק.

מארז Provox Vega

מארז ה-Provox Vega מכיל את הפריטים הבאים:

- תותב דיבור Provox Vega אחד שהורכב מראש במערכת הכנסה לשימוש יחיד, סטרילי (איור 2)
- מברשת Provox Brush אחת המתאימה בגודלה לתותב הדיבור, לא סטרילית
- מדריך Provox Vega אחד לרופא
- מדריך Provox Vega אחד למטופל
- הוראות שימוש למברשת Provox Brush

1.3 התוויות-נגד

אין התוויות-נגד ידועות בכל הקשור לשימוש בתותב הדיבור Provox Vega או להחלפתו בקרב חולים שכבר משתמשים בתותב לשיקום הדיבור.

1.4 אזהרות

- **יתכן תזוזה או יציאה של תותב הדיבור Provox Vega** מהחלל בין קנה הנשימה לוושט אשר עלולים להוביל להכנסת מזון, שאיפה או נזק לרקמה. גוף זר בדרכי האוויר עלול לגרום לסיבוכים חמורים כגון מצוקה נשימתית חריפה ו/דום נשימה.
- **בחר את גודל התותב המתאים.** התאמה הדוקה מידי עלולה לגרום לנמק ברקמות ולתזוזה של התותב.
- **הורה למטופל להיוועץ עם רופא** אם קיימים סימנים כלשהם לבצקת ברקמה ו/או דלקת/זיהום.
- **הורה למטופל להיוועץ עם רופא** אם קיימת דליפה דרך או מסביב לתותב הדיבור. דליפה עלולה לגרום לדלקת ריאות הנובעת משאיפה.
- **אם בשימוש, בחר בצינורות ניתוח להסרת הלרינקס או בסטומה** בעלי צורה מתאימה ההכנסה או ההוצאה של צינור הניתוח להסרת הלרינקס או הסטומה. זה עלול להוביל לנזק חמור לרקמה ו/או הכנסת מזון לתותב שלא בכוונה.
- **הורה למטופל להשתמש אך ורק באבזרי Provox מקוריים** בגודל מתאים (מברשת, שטיפה, פקק) לתחזוקה ולהימנע מכל מניפולציה אחרת.
- **שימוש חוזר ועיבוד חוזר** עלולים לגרום לזיהום ונזק למכשיר, שעלולים לגרום לנזק למטופל.

1.5 אמצעי זהירות.

- בצע הערכה זהירה של כל מטופל עם הפרעות דימום או שעובר טיפול אנטיקואגולנטי לסיכון לדימום או שטף דם לפני הכנסת או החלפת התותב.
- בדוק את האריזה לפני השימוש. אם האריזה פגומה או פתוחה, אל תשתמש במוצר.
- תמיד יש להשתמש בטכניקות אספטיקות בעת טיפול בתותב על מנת להקטין את הסיכון לזיהום.

2. הוראות שימוש

2.1 בחר את גודל תותב הדיבור

בחירה בקוטר או בגודל נכון של הניצב של התותב החלופי

ודא שאתה משתמש בתותב דיבור Provox Vega עם קוטר וגודל ניצב מתאימים. Provox Vega זמין בקטרי ניצבים שונים ובמספר גדלים.

• בחירת קוטר הניצב

הרופא אמור לקבוע את הקוטר המתאים של התותב למטופל.

אם הקוטר הנבחר גדול יותר מהתותב הקודם יש להרחיב את הוושט על ידי ה-Provox Dilator, המתאים לקוטר של התותב שמוכנס.

אם מוכנס תותב בעלת קוטר ניצב קטן יותר, בדוק וודא כי החתך התכווץ לקוטר המתאים.

• בחירת אורך הניצב

על מנת לבחור באורך הנכון, ניתן להשתמש בתותב הנוכחי בתור מכשיר המדידה שלו. אם יש רווח של יותר מ-3 מ"מ / כ-0.12 אינץ' בין האוגן הקני ודופן הרירית, יש להשתמש בתותב קצר יותר. אם התותב יושב בצורה צפופה מדי, יש להשתמש בתותב ארוך יותר.

أبلغ المريض أيضًا بما يلي:

- بعد استبدال العضو الاصطناعي، قد يُعثر على آثار دماء في البلغم. قد يأتي هذا من النسيج الحبيبي على حافتي الفغرة الرغامية.
- يمكن استخدام سادة Provox Vega Plug مؤقتًا لوقف التسرب عبر الأعضاء الصوتية الاصطناعية.
- يُنصح بجلسات تدريب على المحادثة مع الطبيب المدرب للحصول على أفضل صوت، وأتقن حديث، وأمثل فهم.

3.2 صيانة الجهاز الاصطناعي

وجّه المريض بشأن الوقت والكيفية المناسبين لتنظيف الأعضاء الصوتية الاصطناعية Provox Vega الخاص به. يمكن لتنظيف العضو الاصطناعي مرتين على الأقل يوميًا أن يساعد في إطالة عمر الجهاز.

تنبيه: لا تستخدم سوى ملحقات Provox الأصلية المخصصة للاستخدام مع Provox Vega عند تنظيف الأعضاء الاصطناعية.

- سيساعد تنظيف العضو الاصطناعي بفرشاة Provox مرتين يوميًا في إزالة المخاط وبقايا الطعام عن العضو الاصطناعي.
 - يساعد أيضًا شطف العضو الاصطناعي باستخدام غسول Provox Flush في تنظيف العضو الاصطناعي من البقايا والمخاط، والذي يمكن أن يساعد في إطالة عمر الجهاز.
 - **ملاحظة:** إن غسول Provox Flush مصمم للاستخدام فقط من قبل المرضى الذين خضعوا للتقييم بواسطة الطبيب الذي يصف الجهاز الذي أوضح قدرتهم على فهم واتباع تعليمات الاستخدام باستمرار دون إشراف الطبيب.
 - تُعد بعض إجراءات النظام الغذائي، كالتناول اليومي للين الزبادي أو مخفوق اللبن الذي يحتوي على اللبنات، مفيدة ضد النمو المفرط للمبيضات.
- للحصول على معلومات مفصلة عن كيفية تنظيف الجهاز Provox Vega، انظر التعليمات الخاصة بكل ملحق.

4. معلومات إضافية

4.1 التوافق مع التصوير بالرنين المغناطيسي (MRI) وأشعة X والعلاج الإشعاعي

خضعت الأعضاء الصوتية الاصطناعية Provox Vega للاختبار وُجد أنها متوافقة مع التصوير بالرنين المغناطيسي (خضعت للاختبار حتى 3 تسلا)، والعلاج بالأشعة السينية، والعلاج بالإشعاع (خضعت للاختبار حتى 70 غراي). يمكن ترك العضو الاصطناعي داخل الفغرة الرغامية أثناء جلسة الفحص/العلاج. لاحظ أن قاعدة الصمام غير المنفذ للأشعة مرئية على أشعة x.

4.2 عمر الجهاز

يتباين العمر الافتراضي للجهاز وفقًا للظروف البيولوجية الفردية ولا يمكن التنبؤ بالسلامة البنوية للجهاز على مدار فترة زمنية طويلة. سوف تتأثر مواد الجهاز، بالبكتريا والخمائر على سبيل المثال، وستندهور السلامة البنوية للجهاز في نهاية الأمر.

تُظهر الاختبارات المعملية للاستخدام المحاكى لفترة اختبار تبلغ 12 شهرًا أن الجهاز سيحافظ على سلامته البنوية طوال هذه المدة في غياب البكتريا والفطريات. لم يخضع الجهاز للاختبار بخصوص الاستخدام لما يزيد عن 12 شهرًا. ويرجع أمر الاستخدام فيما بعد هذا الحد إلى التقدير المطلق للواصف.

4.3 التوافق مع الدواء المضاد للفطريات

أظهرت الاختبارات المعملية تأثيرًا سلبيًا بسيطًا على تشغيل أعضاء Provox Vega الصوتية الاصطناعية ومكوناتها عند استخدام الأدوية المضادة للفطريات التالية: نستاتين وفلوكونازول وميكونازول.

5. الإبلاغ

يُرجى ملاحظة أنه يجب إبلاغ الشركة المُصنّعة والسلطة الوطنية بالبلد الذي يقيم فيه المستخدم و/أو المريض بأي حادث خطير يقع في ما يتعلق بالجهاز

2.3.4 الأسلوب رقم 4: الإدخال باستخدام الكبسولة الاستخدام المخصص

إن كبسولة Provox Capsule عبارة عن مُلحق يستخدم مرة واحدة في الإدخال التقدمي للعضو الصوتي الاصطناعي القياسي بواسطة طبيب في الثقب الرغامي المريئي لدى مريض استئصال الحنجرة.

وصف الأداة

كبسولات Provox Capsule مصنوعة من مادة قابلة للذوبان في الماء ذات أصل نباتي، وتتوفر الأحجام التي تناسب ثلاثة أقطار مختلفة للأعضاء الصوتية الاصطناعية، وهي 17، و 20 و 22.5 Fr.

تحذيرات

- تأكد دائماً من طي العضو الصوتي الاصطناعي بشكل صحيح ومن إدخاله بشكل سليم في كبسولة Provox Capsule قبل الإدخال. إذا انفصلت كبسولة Provox Capsule ميكراً، فقد يتم شفتها. لاحظ أن المزلقات قد تعرض تثبيت الكبسولة للخطر.
 - لا تستخدم كبسولة Provox Capsule في حالة الاشتباه في وجود تلوث.
 - لا تستخدم كبسولات Provox Capsule إذا بدا التلف على العبوة أو الكبسولات.
 - تأكد من عمل الأعضاء الصوتية الاصطناعية بعد إدخالها في الفغرة الرغامية. اتبع دوماً احتياطات السلامة المحددة في تعليمات استخدام الأعضاء الصوتية الاصطناعية بعد الإدخال.
- #### تدابير وقائية
- لا تستخدم المواد الحادة لإدخال الشفة المريئية في كبسولة Provox Capsule حيث قد يؤدي ذلك إلى تلف العضو الصوتي الاصطناعي.
 - لا تستخدم سوى كبسولة Provox Capsule من نفس حجم قطر الأعضاء الصوتية الاصطناعية أو أكبر من قطرها بمقاس واحد.

يمكن استخدام أداة الطي في نظام الإدخال Provox Insertion System لطى شفة المرئ الخاصة بالأعضاء الصوتية الاصطناعية Provox Vega القياسية في كبسولة Provox Capsule*. في هذا الإجراء لا يتم استخدام أنبوب التحميل.

1. أدخل العضو الاصطناعي في كبسولة Provox Capsule

تخلص من الجزء الطويل لكبسولة Provox Capsule واستخدم الجزء القصير في الإدخال. اضغط على أداة الطي بإصبعين وضع الكبسولة في فتحة أداة الطي (شكل 13). قم بإبقاء أداة الطي مضغوطة مع إبقاء الكبسولة متجهةً بإصبع السبابة (شكل 14). بدلاً من ذلك، استخدم Provox TwistLock لإبقاء أداة الطي بعضها مع بعض. ادفع دبوس الإدخال للأمام بثبات؛ فهذا سيؤدي إلى تحميل شفة المرئ الخاصة بالأعضاء الصوتية الاصطناعية في الكبسولة.

2. التحقق من صحة التحميل

الآن تكون الأعضاء الصوتية الاصطناعية محمّلةً في كبسولة Provox Capsule، ويمكن إزالة أداة الطي من دبوس الإدخال. تأكد من أن شفة المرئ داخل الكبسولة (شكل 15) إذا لم تكن الأعضاء الصوتية الاصطناعية مطوّبة بشكل سليم، يجب تكرار عملية التحميل باستخدام كبسولة Provox Capsule جديدة. تأكد من إحكام تثبيت شريط الأعضاء الصوتية الاصطناعية بدبوس أداة الإدخال المخصص لإدخال العضو الاصطناعي في الثقب.

3. أزل العضو الصوتي الاصطناعي القديم وحضّر الثقب الرغامي المريئي (راجع القسم 2.2، النقطتين 6 و 7).

4. أدخل كبسولة Provox Capsule في الثقب.

أبقي العضو الصوتي الاصطناعي في موضع الإدخال بالكامل حتى تذوب كبسولة Provox Capsule وتنبسط الشفة المريئية بالكامل. اسحب شريط الأعضاء الصوتية الاصطناعية قليلاً للتأكد من وجودها في الموضع الصحيح.

5. تحرير الأعضاء الصوتية الاصطناعية

أزل دبوس أداة الإدخال من الجهاز الصوتي الاصطناعي. يظل الجهاز الصوتي الاصطناعي في الثقب.

6. تنفيذ الخطوات النهائية للإجراء

بعد الإدخال قم بتنفيذ الخطوات النهائية للإجراء على النحو المبين أدناه في القسم 2.5

* خيار غير متاح لكل البلدان.

2.4 تجميع نظام الإدخال Provox Insertion System وإعادة تحميله

إذا باءت المحاولة الأولى لإدخال Provox Vega في الفغرة الرغامية بالفشل، فمن الممكن إعادة تحميل الأعضاء الصوتية الاصطناعية في نظام الإدخال Provox Insertion System.

وضع الأعضاء الصوتية الاصطناعية

1. قم بتركيب الأعضاء الصوتية الاصطناعية مع توجيه جانب الرغامي لأسفل أعلى دبوس الإدخال.
2. قم بتوصيل حزام الأمان عبر توجيهه من خلال فتحة التثبيت من أحد الجانبين.
3. تأكد من أن العضو الصوتي الاصطناعي موضوع بطريقة صحيحة على دبوس الإدخال المثبت بشكل محكم وذلك أثناء وضع طرف الدبوس في الحلقة الزرقاء للعضو للصوتي الاصطناعي حتى نهايتها (الشكل 3).

توصيل أداة الطي

4. قم بتوجيه دبوس الإدخال عبر الفتحة الموجودة في أداة الطي إلى أن تستقر في مكانها مصدرةً صوت طقطقة. اسحب الدبوس إلى أن يستقر في أداة الطي مطلقاً صوتاً (شكل 16). الآن أصبح نظام الإدخال Provox Insertion System جاهزاً للتحرير.

تابع عملية التحرير على النحو الوارد وصفة أعلاه في القسم 2.2.

تنبيه: لا تقم بتنفيذ التحميل لأكثر من مرتين. إذا بدت على الأعضاء الصوتية الاصطناعية Provox Vega أي إشارات على كونها تالفة، فلا تستعملها.

2.5 تنفيذ الخطوات النهائية للإجراء

بعد الإدخال:

التأكد من التركيب الصحيح

1. تأكد من الوضع الصحيح للعضو الصوتي الاصطناعي عبر تدوير دبوس الإدخال وسحبه برفق (شكل 17). يكون العضو الاصطناعي في الوضع المثالي عندما يشير حزام الأمان للأسفل.

اختبار الأداء المناسب للوظيفة

2. قم بتنظيف جهاز Provox Vega بالفرشاة مستخدماً فرشاة Provox Brush. اختبر مدى أداء العضو الاصطناعي لوظائفه بشكل صحيح عبر مطالبة المريض بالتحدث وعبر مراقبة عدم وجود تسرب من العضو الاصطناعي أثناء قيام المريض بشرب المياه (شكل 18).

قطع حزام الأمان

3. بعد التأكد من وضع العضو الصوتي الاصطناعي في مكانه بشكل صحيح، اقطع حزام الأمان بحيث يكون مساوياً لشفة الرغامي (شكل 19). أصبحت الأعضاء الصوتية الاصطناعية Provox Vega جاهزةً الآن للاستخدام.

2.6 طريقة التخلص

احرص دائماً على اتباع الممارسات الطبية والمتطلبات الوطنية المتعلقة بالمخاطر البيولوجية عند التخلص من جهاز طبي مستعمل

3. معلومات هامة للمريض

3.1 معلومات عامة

تأكد من أن المريض يفهم أن عليه الاتصال بطبيبه إذا:

- وجود تسرب خلال عضو الصوت الاصطناعي أو حوله (سعال أو تغير لون المخاط أو كلاهما).
- وجود صعوبة في النطق (وعلامه ذلك بذل مجهود أكبر و/أو إرهاق كبير في الصوت).
- وجود أي علامات على الالتهاب أو تغيرات الأنسجة في منطقة الثقب أو منطقة الفغرة (ألم، أو احمرار، أو حرارة، أو تورم، أو آثار للدماء على الفرشاة بعد التنظيف بالفرشاة).

2. تحقق من أن دبوس الإدخال موضوع بطريقة صحيحة مع أداة الطي (يجب أن يصدر صوت طقطقة عند وضع الدبوس في أداة الطي)
 3. اضغط على أداة الطي بإصبعين معًا (الشكل 4)
 4. قم بتركيب أنبوب التحميل مع إبقاء أداة الطي مغلقة في الوقت نفسه ولف أنبوب التحميل إلى أن يستقر في مكانه (الشكل 5). (غير معروفة للإدخال بالكبسولة)
- التحميل**
5. ادفع دبوس الإدخال للأمام إلى أن تتم محاذاة الأعضاء الصوتية الاصطناعية مع الحلقة الظاهرة على أنبوب التحميل (الشكل 6). (غير معروفة للإدخال بالكبسولة)

إزالة الأعضاء الصوتية الاصطناعية القديمة

6. قم بإزالة العضو الاصطناعي الحالي (أي القديم) من الفغرة الرغامية عبر سحبه خارجًا باستخدام ملقاط غير مسنن قاطع للنزف. أو يمكن مسك شفة الرغامي الخاصة بالعضو الاصطناعي، حسب تقدير الطبيب، باستخدام الملقاط وقطعها. وعندئذ يمكن دفع بقية العضو الاصطناعي إلى داخل المريء للمرور عبر مجرى الأمعاء. يجب مراعاة السجل المرضي للمريض المتعلق بأي أمراض معوية قبل استخدام هذا الأسلوب.
- تحضير الثقب (اختياري)
7. ويجب توسيع الثقب للتحضير لإدخال الأعضاء الصوتية الاصطناعية. وهذا الإجراء لا يكون ضروريًا عادةً لكنه يمكن أن يسهل الإدخال لدى المرضى الذين تكون الثقوب عندهم بزواوية أو ضيقة والتي يمكن أن تزول بسهولة.

2.3 الإدخال، إجراء الاستبدال التقدمي باستخدام أسلوب الإفراط

- يمكن استخدام أربعة أساليب لإدخال الأعضاء الصوتية الاصطناعية Provox Vega باستخدام نظام الإدخال Provox Insertion System. يتم اختيار الأسلوب حسب تقدير الطبيب.
- 2.3.1 إدخال النظام: يتم استخدام نظام الإدخال بالكامل.
 - 2.3.2 إدخال الأنبوب: تتم إزالة أداة الطي قبل الإدخال.
 - 2.3.3 الإدخال بأسلوب الإفراط: يتم تركيب الأعضاء الصوتية الاصطناعية بأكملها في المريء ومن ثم يتم سحبها إلى الموضع المطلوب.
 - 2.3.4 الإدخال باستخدام الكبسولة: يتم وضع الأعضاء الصوتية الاصطناعية في كبسولة Provox Capsule قبل الإدخال.

2.3.1 الأسلوب رقم 1: إدخال النظام

1. دخول الفغرة الرغامية
قم بإمسك نظام الإدخال Provox Insertion System بواسطة أنبوب التحميل. أدخل الثقب بواسطة طرف أنبوب التحميل. تابع بحذر إذا واجهتك مقاومة. إذا كانت هناك مقاومة، فإن التوسيع أو التزييت أو كليهما يمكن أن يسهلا من الإدخال.
2. إدخال الأعضاء الصوتية الاصطناعية
قم بإبقاء أنبوب التحميل ثابتًا بيد واحدة وادفع دبوس الإدخال باليد الأخرى إلى أن تكون الأسهم عند سطح الإمساك البعيد في مستوى الحافة السفلية من أداة الطي (شكل 7). عند هذه النقطة، تكون شفة المريء من الأعضاء الصوتية الاصطناعية غير مطوية بشكل كامل في المريء.
3. تحرير الأعضاء الصوتية الاصطناعية
اسحب أنبوب التحميل وأداة الطي معًا في خط مستقيم خارج الثقب. تظل الأعضاء الصوتية الاصطناعية في الثقب، وتظل مثبتة بشكل محكم في دبوس الإدخال.
4. تنفيذ الخطوات النهائية للإجراء
بعد الإدخال قم بتنفيذ الخطوات النهائية للإجراء على النحو المبين أدناه في القسم 2.5.

2.3.2 الأسلوب رقم 2: إدخال الأنبوب

- لتحسين مستوى الرؤية، يمكن إزالة أداة الطي بمجرد دفع العضو الاصطناعي في أنبوب التحميل. ملاحظة: من المهم دائمًا استخدام نظام الإدخال Provox Insertion System مع أداة الطي المركبة عند تحميل العضو الاصطناعي لضمان الطي الصحيح لشفة المريء.

1. إزالة أداة الطي

1. قم بإزالة أداة الطي عن طريق تحريرها وفصلها من أنبوب التحميل (شكل 8).
2. دخول الفغرة الرغامية
قم بإمسك نظام الإدخال Provox Insertion System بواسطة أنبوب التحميل. أدخل الثقب بواسطة طرف أنبوب التحميل. تابع بحذر إذا واجهتك مقاومة. إذا كانت هناك مقاومة، فإن التوسيع أو التزييت أو كليهما يمكن أن يسهلا من الإدخال.
3. إدخال الأعضاء الصوتية الاصطناعية
ادفع دبوس الإدخال باليد الأخرى إلى أن يصبح سطح الإمساك القريب متساويًا مع أنبوب التحميل (شكل 9). عند هذه النقطة، تكون شفة المريء من الأعضاء الصوتية الاصطناعية غير مطوية بشكل كامل في المريء.
4. تحرير الأعضاء الصوتية الاصطناعية
قم بإمسك أنبوب التحميل بيد ودبوس الإدخال بالأخرى. اسحب كلاً من أنبوب التحميل ودبوس الإدخال للخلف إلى أن تشعر بأن شفة المريء قد وصلت إلى جدار المريء الأمامي. ثم اترك دبوس الإدخال واسحب أنبوب التحميل في خط مستقيم خارج الثقب. سوف يؤدي هذا إلى تحرير شفة الرغامي.
5. ملاحظة: إذا فُتحت شفة الرغامي داخل المريء، أو الثقب (الإفراط غير المقصود)، فقم بإمسك شفة الرغامي باستخدام ملقاط غير مسنن قاطع للنزف واسحب/قم بتدوير الأعضاء الصوتية الاصطناعية حتى تستقر في مكانها.
5. تنفيذ الخطوات النهائية للإجراء
بعد الإدخال قم بتنفيذ الخطوات النهائية للإجراء على النحو المبين أدناه في القسم 2.5

2.3.3 الأسلوب رقم 3: الإدخال بأسلوب الإفراط

- يتم تنفيذ أسلوب الإفراط مع الأعضاء الصوتية الاصطناعية Provox Vega بين حين وآخر لضمان حدوث التقدم الكامل لشفة المريء في الفغرات الرغامية الصعبة.

1. إزالة أداة الطي (اختياري)

1. بعد دفع العضو الاصطناعي إلى داخل أنبوب التحميل، قم بإزالة أداة الطي عبر تحريرها وفصلها من أنبوب التحميل (شكل 8).
2. دخول الفغرة الرغامية
قم بإمسك نظام الإدخال Provox Insertion System بواسطة أنبوب التحميل. أدخل الثقب بواسطة طرف أنبوب التحميل. تابع بحذر إذا واجهتك مقاومة. إذا كانت هناك مقاومة، فإن التوسيع أو التزييت أو كليهما يمكن أن يسهلا من الإدخال.
3. إدخال الأعضاء الصوتية الاصطناعية
قم بإبقاء أنبوب التحميل ثابتًا بيد واحدة وادفع دبوس الإدخال باليد الأخرى إلى أن يصل إلى ما بعد سطح الإمساك القريب (شكل 10). عند هذه النقطة تكون الأعضاء الصوتية الاصطناعية قد دخلت بالكامل في المريء (شكل 11). إذا تم تنفيذ إجراء الإدخال بأسلوب الإفراط مع إبقاء أداة الطي مجمعة، فادفع دبوس الإدخال إلى ما بعد سطح الإمساك البعيد. عند هذه النقطة تكون الأعضاء الصوتية الاصطناعية قد دخلت بالكامل في المريء (شكل 12).
4. تحرير الأعضاء الصوتية الاصطناعية
اسحب أنبوب التحميل بشكل مستقيم خارجًا من الثقب. يظل العضو الاصطناعي في المريء، ويظل مثبتًا بشكل محكم في دبوس الإدخال. قم بإمسك شفة الرغامي بالملقاط غير المسنن القاطع للنزف واسحب/قم بتدوير الأعضاء الصوتية الاصطناعية حتى تستقر في مكانها.

جهاز Provox® Vega™

1. معلومات وصفية

1.1 الاستخدام المحدد

أعضاء Provox Vega الصوتية الاصطناعية عبارة عن أعضاء صوتية اصطناعية معقمة مستقرة أحادية الاستخدام، مخصصة لإعادة التأهيل الصوتي بعد الإزالة الجراحية للحنجرة (استئصال الحنجرة). يقوم المريض بتنظيف الأعضاء الصوتية الاصطناعية أثناء وجودها في مكانها.

نظام الإدخال Provox Insertion System هو عبارة عن جهاز معقّم للاستعمال لمرة واحدة والغرض منه هو استخدامه في الاستبدال التدميمي للأعضاء الصوتية الاصطناعية طراز Provox Vega. يتم تنفيذ إجراء الاستبدال هذا بواسطة طبيب أو أخصائي طبي مدرّب بما يتوافق مع التوجيهات المحلية أو الوطنية.

ليس من المفترض استخدام نظام الإدخال Provox Insertion System في إدخال الأعضاء الصوتية الاصطناعية في ثقب تم إنشاؤه حديثًا.

1.2 وصف الجهاز عام

يحتوي نظام Provox Vega على صمام أحادي الاتجاه يحافظ على فتح الفغرة الرغامية للتمكن من الكلام، في حين يقلل من خطر دخول السوائل والطعام إلى الرغامى. إن أعضاء Provox Vega الصوتية الاصطناعية ليست عضوًا مزروعًا بشكل دائم، ولا بد من استبدالها بشكل دوري. يتوفر جهاز الصوت (الشكل 1) بأقطار مختلفة وبعده أطوال. هذا الجهاز مصنوع من مطاط السليكون من الفئة الطبية والبلاستيك الفلوري.

عبوة Provox Vega

تضم عبوة Provox Vega العناصر التالية:

- أعضاء صوتية اصطناعية Provox Vega معقمة ومجمّعة مسبقًا في نظام إدخال مصمم للاستخدام لمرة واحدة (شكل 2)
- فرشاة Provox Brush واحدة ذات مقاس متوافق مع الأعضاء الصوتية الاصطناعية، وتكون غير معقمة
- دليل الطبيب لاستخدام Provox Vega
- دليل المريض لاستخدام Provox Vega
- تعليمات استخدام فرشاة Provox Brush

1.3 موانع الاستعمال

لا توجد موانع معروفة لاستعمال عضو Provox Vega الصوتي الاصطناعي أو استبداله بين المرضى الذين يخضعون بالفعل لإعادة التأهيل الصوتي باستخدام عضو الصوت الاصطناعي.

1.4 التحذيرات

- قد تحدث إزاحة أو لفظ للأعضاء الصوتية الاصطناعية Provox Vega من الفغرة الرغامية وبالتالي قد يحدث شفت أو ابتلاع لها أو ضرر في الأنسجة. فقد يتسبب وجود جسم غريب في المجرى الهوائي في مضاعفات حادة، مثل الضائقة التنفسية الحادة أو توقف التنفس أو كليهما.
- حدد الحجم المناسب للعضو الاصطناعي. يمكن أن يتسبب التثبيت الضيق في حدوث نخر وثقب في الأنسجة.
- وجه المريض لاستشارة طبيب فورًا في حال كانت هناك أي علامات على استسقاء أو التهاب/إصابة أو كليهما في الأنسجة.
- وجه المريض إلى استشارة طبيب في حالة وجود تسرب عبر الأعضاء الصوتية الاصطناعية أو حولها. قد يتسبب التسرب في حدوث التهاب رئوي شفتي.
- في حالة استخدام أنابيب استئصال الحنجرة أو مفتاح الثغير، اختر منها ذات الشكل المناسب التي لا تضغط على الأعضاء الاصطناعية، أو تعلق بشفة الرغامى للأعضاء الاصطناعية خلال إدخال أنبوب استئصال الحنجرة أو مفتاح الثغير وإزالتها. قد يؤدي هذا إلى أضرار نسيجية حادة أو ابتلاع عرضي للعضو الاصطناعي أو كليهما.
- وجه المريض إلى عدم استخدام سوى ملحقات Provox الأصلية من الحجم المتوافق (مثل الفرشاة Brush، والغسل Flush، والسدادة Plug) لإجراء الصيانة وتفادي كل أنواع المعالجة الأخرى.
- قد تؤدي إعادة الاستخدام أو إعادة المعالجة إلى انتقال العدوى وإتلاف الجهاز، الأمر الذي قد يلحق الأذى بالمريض.

1.5 موانع الاستعمال.

- قيّم بحذر حالة أي مريض يعاني من اختلالات نرفية أو يخضع لعلاج التخثر من حيث خطر النزف أو الزيف قبل تركيب العضو الاصطناعي أو استبداله
- افحص العبوة قبل الاستخدام. إذا كانت العبوة متضررة أو مفتوحة، فلا تستخدم المنتج.
- استخدم أسلوبًا يحتوي على التعقيم دائمًا عند مناولة العضو الاصطناعي لتقليل خطر الإصابة بعدوى.

2. تعليمات الاستخدام

2.1 اختيار مقاس الأعضاء الصوتية الاصطناعية

اختيار قطر محور العضو الاصطناعي البديل وطوله المناسبين

تأكد من استعمال الأعضاء الصوتية الاصطناعية Provox Vega ذات القطر وطول المحاور المناسبين. يتوفر العضو الاصطناعي Provox Vega بأقطار محاور مختلفة وأطوال متعددة.

تحديد قطر المحور

يجب على الطبيب أن يقرر القطر المناسب للعضو الاصطناعي المناسب للمريض.

إذا اخترت قطرًا أكبر من العضو الاصطناعي السابق، يجب توسيع المجرى باستخدام مُوسع Provox Dilator المناسب لقطر العضو الاصطناعي الذي يجري إدخاله.

إذا أدخل جهاز ذو قطر محور أصغر، راقب وتأكد من أن ثقب الإدخال قد انكمش إلى القطر الملائم.

تحديد طول المحور

لتحديد الطول الصحيح، يمكنك استخدام العضو الاصطناعي الحالي باعتباره جهاز القياس الخاص به.

إذا كانت هناك مسافة كبيرة للغاية (أي 3 مم -/0.12 بوصة أو أكثر) بين شفة الرغامى الخاصة بالعضو الاصطناعي القديم والجدار المخاطي، يجب استخدام عضو اصطناعي أقصر. يجب استخدام عضو اصطناعي أطول إذا تم تثبيت العضو الاصطناعي بشكل بالغ الإحكام.

2.2 الإعداد

(الشكل 3-6)

وضع الأعضاء الصوتية الاصطناعية

1. تأكد من أن الأعضاء الصوتية الاصطناعية موضوعة بطريقة صحيحة على دبوس الإدخال المثبت بشكل محكم وذلك أثناء وضع طرف الدبوس حتى نهاية الحلقة الزرقاء للأعضاء الصوتية الاصطناعية (الشكل 3).



Do not re-use; Nur zum Einmalgebrauch; Niet hergebruiken; Ne pas réutiliser; Non riutilizzare; No reutilizar; Não reutilizar; Återanvänd ej; Må ikke genanvendes; Skal ikke gjenbrukes; Ei uudelleenkäyttävä; Má ekki endurnýta; Mitte taaskasutada; Neizmantot atkārtoti; Pakartotiniai nenaudoti; Nepoužívejte opakovaně; Ne használja fel újra; Nepoužívajte opakovane; Ne uporabljajte ponovno; Nie używać ponownie; A nu se reutiliza; Nemojte ponovno upotrebljavati; Ne koristiti ponovo; Μην επαναχρησιμοποιείτε; Не използвайте повторно; Tekrar kullanmayın; არ გამოიყენოთ ხელახლა; Մեկիսգամյա օգտագործման համար; Yenidən istifadə etməyin; Не подлежит повторному использованию; Jangan gunakan ulang; Jangan guna semula; 再利用不可; 재사용하지 마십시오; 請勿重複使用; 請勿重复使用; ריבוי שימוש אסור; يجب عدم إعادة الاستخدام

STERILE EO

Sterilized using ethylene oxide: Mit Ethylenoxid sterilisiert; Gesteriliseerd met ethyleenoxide; Stérilisé à l'oxyde d'éthylène; Sterilizzato con ossido di etilene; Esterilizado con óxido de etileno; Esterilizado com óxido de etileno; Steriliserad med etylenoxid; Steriliseret med ethylenoxid; Steriliseret ved hjælp av etylenoksid; Steriloitu eteenioksidilla; Daudhreinsað með etýlenoxíði; Etüleenoksiidiga steriliseeritud; Sterilizēts, izmantojot etilēna oksīdu; Sterilizuota etileno oksidu; Sterilizováno pomocí etylenoxidu; Etilén-oxiddal sterilizálva; Sterilizované etylénoxidom; Sterilizirano z etilenoksidom; Wysterylizowano tlenkiem etylenu; Produkt sterilizat cu oxid de etilenă; Sterilizirano etilen-oksidom; Sterilisanano etilen-oksidom; Αποστειρωμένο με οξείδιο του αιθυλενίου; Стерилизовано посредством этилен оксид; Etilen oksit kullanılarak sterilize edilmiştir; სტერილიზებულია ეთილენის ოქსიდის გამოყენებით; Ստերիլիզացված է էթիլենի օքսիդի միջոցով; Etilen oksidi ilə sterilizasiya edililib; Стерилизовано с помощью этиленоксида; Disterilkan menggunakan etilena oksida; Disterilkan menggunakan etilena oksida; エチレンオキサイド滅菌; 에틸렌옥사이드를 사용하여 멸균처리됨; 使用環氧乙烷滅菌; 已经使用环氧乙烷灭菌; עיקור באמצעות אתילן אוקסיד; معقم باستخدام أكسيد الإيثيلين



Do not use if package is damaged; Produkt nicht verwenden, wenn die Verpackung beschädigt ist; Niet gebruiken als de verpakking beschadigd is; Ne pas utiliser si l'emballage est endommagé; Non utilizzare se la confezione è danneggiata; No utilizar el producto si el embalaje está dañado; Não utilizar se a embalagem estiver danificada; Använd inte om förpackningen är skadad; Må ikke bruges, hvis emballagen er beskadiget; Skal ikke brukes hvis emballasjen er skadet; Ei saa käyttää, jos pakkaus on vaurioitunut; Notið ekki ef umbúðir eru skemmdar; Mitte kasutada, kui pakend on kahjustatud; Neizmantot, ja iepakojumš ir bojāts; Nenaudoti, jeigu pažeista pakuotė; Nepoužívejte, pokud je obal poškozený; Ne használja, ha a csomagolás sérült; Nepoužívajte, ak je poškodený obal; Ne uporabljajte, če je ovojnina poškodovana; Nie używać, jeśli opakowanie jest uszkodzone; A nu se utiliza dacă ambalajul este deteriorat; Nemojte upotrebljavati ako je pakiranje oštećeno; Ne koristiti ako je pakovanje oštećeno; Μην χρησιμοποιείτε εάν η συσκευασία έχει υποστεί ζημιά; Не используйте, ако целостта на опаковката е нарушена; Ambalaj hasarlıysa kullanmayın; არ გამოიყენოთ, თუ შეფუთვა დაზიანებულია; Qablaşdırılmaya zərər dəyibsə istifadə etməyin; Не используйте, если повреждена упаковка; Jangan gunakan jika kemasan rusak; Jangan gunakan jika pakej rosak; パッケージに損傷がある場合、使用不可; 패키지가 손상된 경우 사용하지 마십시오; 若包裝受損, 請勿使用; 如包裝损坏, 請勿使用; אין להשתמש אם האריזה פגומה; يجب عدم الاستخدام إذا كان التغليف تالفاً



Keep away from sunlight and keep dry; Vor Sonnenlicht und Feuchtigkeit schützen; Niet blootstellen aan zonlicht, droog bewaren; Maintenir à l'abri de la lumière directe du soleil et de l'humidité; Tenere all'asciutto e al

riparo dalla luce del sole; Mantener seco y alejado de la luz solar; Manter afastado da luz solar e da chuva; Håll borta från solljus och håll torr; Holdes bort fra sollys og holdes tørt; Unngå direkte sollys, holdes tørt; Säilytettävä kuivassa paikassa suojassa auringonvalolta; Geymið fjarri sólarljósi og haldið þurru; Hoida kuivas ja eemal päikesevalgusest; Sargāt no saules stariem un mitruma; Saugoti nuo saulės šviesos ir laikyti sausai; Chraňte před slunečným zářením a udržujte v suchu; Tartsa a napfénytől távol, és tartsa szárazon; Chraňte pred slnečným žiarením a uchovávajte v suchu; Shranjujte na suhem in ne izpostavljajte sončni svetlobi; Chronić przed światłem słonecznym i przechowywać w suchym miejscu; A se feri de lumina soarelui și a se menține uscat; Čuvajte na suhom mjestu i podalje od Sunčeve svjetlosti; Držati dalje od sunčeve svetlosti i čuvati na suvom; Φυλάσσετε μακριά από το ηλιακό φως και διατηρείτε τη συσκευή στεγνή; Држте далече от слънчева светлина и съхранявайте на сухо място; Güneş ışığından uzakta ve kuru tutun; შეინახეთ მზისგან დაცულ ადგილას და მშრალ მდგომარეობაში; Հեռու պահեք արևի ճառագայթներից և պահեք չոր տեղում; Gün ışığından uzaqda və quru saxlayın; Берегите от воздействия прямых солнечных лучей и влаги; Hindarkan dari sinar matahari dan simpan di tempat yang kering; Jauhkan dari cahaya matahari dan pastikan sentiasa kering; 直射日光および湿気禁止; 직사광선이 닿지 않게 하고 건조한 상태로 유지하십시오; 避免日照並保持乾燥; 避免日照和保持干燥; יש להרחיק מאור השמש ולהחסן במקום יבש; يجب الحفاظ على المنتج جافًا وبعيدًا عن أشعة الشمس



Storage temperature limit; Lagertemperaturgrenze; Maximale bewaartemperatuur; Limite de température de stockage; Temperature di stoccaggio; Límite de temperatura de almacenamiento; Limite da temperatura de armazenamento; Temperaturgränser för förvaring; Opbevaringstemperaturbegrænsning; Oppbevaringstemperaturgrense; Säilytyslämpötilan raja; Takmarkanir á hitastigi við geymslu; Säilitustemperatuuri piirmäär; Uzglabāšanas temperatūras ierobežojums; Laikymo temperatūros riba; Maximální skladovací teplota; Tárolási hőmérsékletkorlát; Limit skladovacej teploty; Omejitve temperature za shranjevanje; Temperatura przechowywania; Limita temperaturii de depozitare; Ograničenje temperature skladištenja; Ograničenje temperature skladištenja; Όρια θερμοκρασίας αποθήκευσης; Границы на температурата на съхранение; Saklama sıcaklığı sınırı; შენახვის ტემპერატურის ლიმიტი; Պահպանման ջերմաստիճանի սահմանները; Saxlama temperaturu həddi; Ограничения температуры хранения; Batas suhu penyimpanan; Had suhu simpanan; 保管温度制限; 보관 온도 제한; 儲存溫度限制; 儲存溫度限制; حد درجة الحرارة والتخزين



Store at room temperature. Temporary deviations within the temperature range (max-min) are allowed; Bei Zimmertemperatur lagern. Temperaturschwankungen innerhalb des Temperaturbereichs (min.–max.) sind zulässig; Bij kamertemperatuur bewaren. Tijdelijke afwijkingen van de temperatuur binnen de marge (min-max) zijn toegestaan; Stocker à température ambiante Des écarts temporaires dans la plage de température ambiante (max-min) sont autorisés; Conservare a temperatura ambiente. Sono consentiti scostamenti temporanei entro i limiti di temperatura (max-min); Almacenar a temperatura ambiente. Se permiten desviaciones temporales dentro del rango de temperatura (máx.-mín.); Guardar à temperatura ambiente. São permitidos desvios temporários dentro do intervalo das temperaturas (máx-min); Förvara i rumstemperatur. Tillfälliga avvikelser inom temperaturområdet (max–min.) är tillåtna; Opbevar ved rumstemperatur. Midlertidige afvigelser i temperaturintervallet (maks-min) er tilladt; Oppbevares i romtemperatur. Midlertidige avvik innenfor temperaturområdet (maks.–min.) er tillatt; Säilytä huoneenlämmössä. Väliaikainen poikkeama lämpötila-alueella (suurin-pienin) on sallittu; Geymið við stofuhita. Tímabundin frávik innan hitasviðs (lág.–hám.) eru leyfð; Hoida toatemperatuuril. Ajutised nihked temperatuurivahemikus (max–min) on lubatud; Uzglabāt istabas temperatūrā. Ir pieļaujamas īslaicīgas novirzes temperatūras diapazona ietvaros (min.–maks.); Laikyti kambario temperatūroje. Leidžiami laikini nuokrypiai, neviršijantys temperatūros intervalo (didž.–maž.); Skladujte při pokojové teplotě.

THIS PAGE IS DELIBERATELY LEFT EMPTY

THIS PAGE IS DELIBERATELY LEFT EMPTY

THIS PAGE IS DELIBERATELY LEFT EMPTY



No.11468, 2022-03-10

Atos
atosmedical.com



Atos Medical AB
Kraftgatan 8, SE-242 35 Hörby, Sweden
Tel: +46 (0)415 198 00 • info@atosmedical.com